



DMP80 Series Handheld Dew Point and Temperature Probes

For spot-checking applications



Features

- Portable design optimized for industrial spot-checking and field calibration
- Dew point measurement accuracy up to ± 2 °C (± 3.6 °F) $T_{d/f}$
- Wide dew point measurement range
- Sensor purge improves long-term stability and chemical resistance
- Condensation-tolerant
- Compatible with Indigo80 handheld indicator and Insight PC software
- Calibration certificate included

Vaisala DRYCAP® Handheld Dew Point and Temperature Probes DMP80 Series have been designed for portable use, especially with the Indigo80 handheld indicator. The combination of DMP80 probe and Indigo80 is ideal for spot-checking and field calibration of installed Vaisala humidity instruments.

Reliable measurements with the Vaisala DRYCAP sensor

Vaisala DRYCAP sensor is robust against particulate contamination, water condensation, oil vapor, and most chemicals. The sensor tolerates condensation and recovers perfectly if exposed to liquid water. The sensor's performance is excellent also in dynamic and low dew point applications, thanks to its fast reaction time and stability.

The probes can be inserted directly into pressurized processes, and respond rapidly from ambient to process conditions. The DMP80 probes are suitable for direct process dew point measurement in a wide temperature and pressure range.

DMP80 series probes are delivered with standard factory calibration certificates, with accredited calibration as an option. The probes can therefore be used as a working standard in field calibration.

Sensor purge minimizes effects of contaminants

In environments with high concentrations of chemicals and cleaning agents, the sensor purge option helps to maintain measurement accuracy between calibration intervals.

Sensor purge involves heating the sensor briefly to remove chemicals that could lower measurement performance and cause drifting.

Robust design for handheld measurements

The design of the probe handle has been optimized for manual operation in versatile measurement environments. The IP66-classified probe handle offers excellent protection against moisture and dust with the probe connection

cable attached. Also the cable connection is protected against mechanical stress by the robust design of the handle.

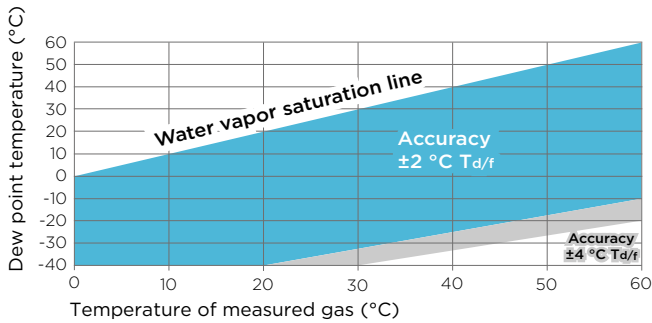
Flexible connectivity

DMP80 probes are optimized for portable spot-checking, field calibration, and data logging use with the Indigo80 handheld indicator. For easy-to-use access to device analytics and configuration, DMP80 probes can be connected to Vaisala Insight software for Windows®.

Technical data

DMP80A measurement performance

Dew point	
Sensor	DRYCAP® 180S
Measurement range	-40 ... +60 °C (-40 ... +140 °F) $T_{d/f}$
Accuracy	Up to ± 2 °C (± 3.6 °F) $T_{d/f}$
Response time 63% [90%]:	
From dry to wet	5 s [10 s]
From wet to dry	45 s [5 min]
Temperature	
Measurement range	0 ... +60 °C (+32 ... +140 °F)
Accuracy	± 0.2 °C (± 0.36 °F) at room temperature
Temperature sensor	Pt100 RTD Class F0.1 IEC 60751
Mixing ratio	
Measurement range (typical)	0-150 g/kg (0-1050 gr/lbs)
Accuracy (typical)	± 12 % of reading
Absolute humidity	
Measurement range	0-130 g/m ³
Accuracy (typical)	± 10 % of reading



Dew point accuracy vs. measurement conditions (DMP80A)

DMP80 series operating environment

Operating temperature range	-10 ... +60 °C (+14 ... +140 °F)
Storage temperature	-20 ... +60 °C (-4 ... +140 °F)
Operating pressure of probe head	0-20 bar (0-290 psi), absolute
Measurement environment	For air, nitrogen, hydrogen, argon, helium, and oxygen ¹⁾
IP rating of probe handle:	
With probe connection cable connected to the probe	IP66
Without cable	IP55

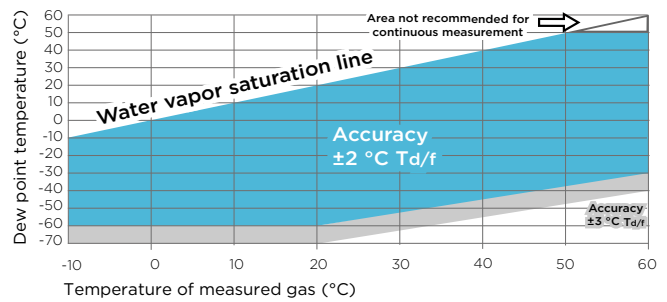
¹⁾ Consult Vaisala if other chemicals are present. Consider safety regulations with flammable gases.

DMP80 series inputs and outputs

Operating voltage	15-30 V DC
Current consumption	10 mA typical, 500 mA max.
Digital output	RS-485, non-isolated

DMP80B measurement performance

Dew point	
Sensor	DRYCAP® 180M
Measurement range	-70 ... +60 °C (-94 ... +140 °F) $T_{d/f}$
Accuracy	Up to ± 2 °C (± 3.6 °F) $T_{d/f}$
Response time 63% [90%]:	
From dry to wet	5 s [15 s]
From wet to dry	45 s [8 min]
Temperature	
Measurement range	0 ... +60 °C (+32 ... +140 °F)
Accuracy	± 0.2 °C (± 0.36 °F) at room temperature
Temperature sensor	Pt100 RTD Class F0.1 IEC 60751
Relative humidity	
Measurement range	0-70 %RH
Accuracy (RH <10 %RH, at +20 °C)	± 0.004 %RH + 20 % of reading
Concentration by volume (ppm)	
Measurement range (typical)	10-2500 ppm
Accuracy (at +20 °C, 1 bar)	1 ppm + 20 % of reading



Dew point accuracy vs. measurement conditions (DMP80B)

DMP80 series mechanical specifications

Connector type	M12 5-pin A-coded male
Weight	250 g (9 oz)
Mechanical connection options	G1/2" ISO 228/1 NPT1/2"
Materials	
Probe handle	Polyamide (PA) and thermoplastic elastomer (TPE)
Probe shaft	Stainless steel (AISI 316L)
Filter	Porous stainless steel (AISI 316L) ¹⁾

¹⁾ Vaisala item code: HM47280SP

DMP80 series output parameters

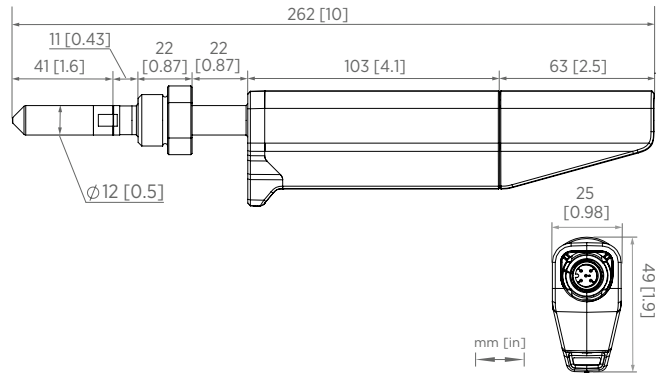
Absolute humidity (g/m ³)	Relative humidity (%RH)
Absolute humidity at NTP (g/m ³)	Relative humidity (dew/frost) (%RH)
Dew point temperature (°C)	Temperature (°C)
Dew/frost point temperature (°C)	Water concentration (ppm _v)
Dew/frost point temperature at 1 atm (°C)	Water concentration (wet basis) (vol-%)
Dew point temperature at 1 atm (°C)	Water mass fraction (ppm _w)
Dew point temperature difference (°C)	Water vapor pressure (hPa)
Enthalpy (kJ/kg)	Water vapor saturation pressure (hPa)
Mixing ratio (g/kg)	

DMP80 series compliance

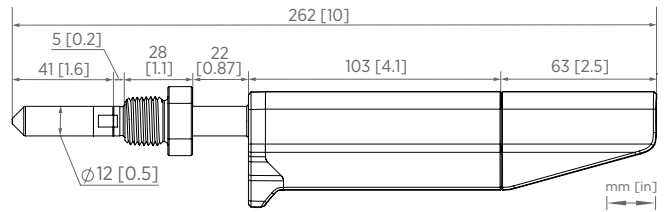
EU directives and regulations	EMC Directive (2014/30/EU) RoHS Directive (2011/65/EU) amended by 2015/863
Electromagnetic compatibility (EMC)	EN 61326-1, industrial environment
Rough handling (excluding sensor inside probe head)	IEC 60068-2-31
Compliance marks	CE, China RoHS, RCM, UKCA

DMP80 series spare parts and accessories

Cables	
Probe connection cable (M12-M12), 1.5 m (4.11 ft)	272075SP
Flat cable for probes (M12-M12), 1.0 m (3.4 ft)	CBL210493SP
Accessories for ISO G1/2" thread option	
Sampling cell with quick connector and leak screw	DSC74
Sampling cell with female connectors, inlet G3/8", outlet G1/4" ISO	DMT242SC
Sampling cell with Swagelok connectors for 1/4" tubing	DMT242SC2
Two-pressure sampling cell	DSC74B
Two-pressure sampling cell with coil	DSC74C
Other items	
Indigo USB adapter	USB2
Sintered stainless steel filter	HM47280SP



Dimensions of DMP80 series probes with G1/2" thread, side and bottom view



Dimensions of DMP80 series probes with NPT1/2" thread