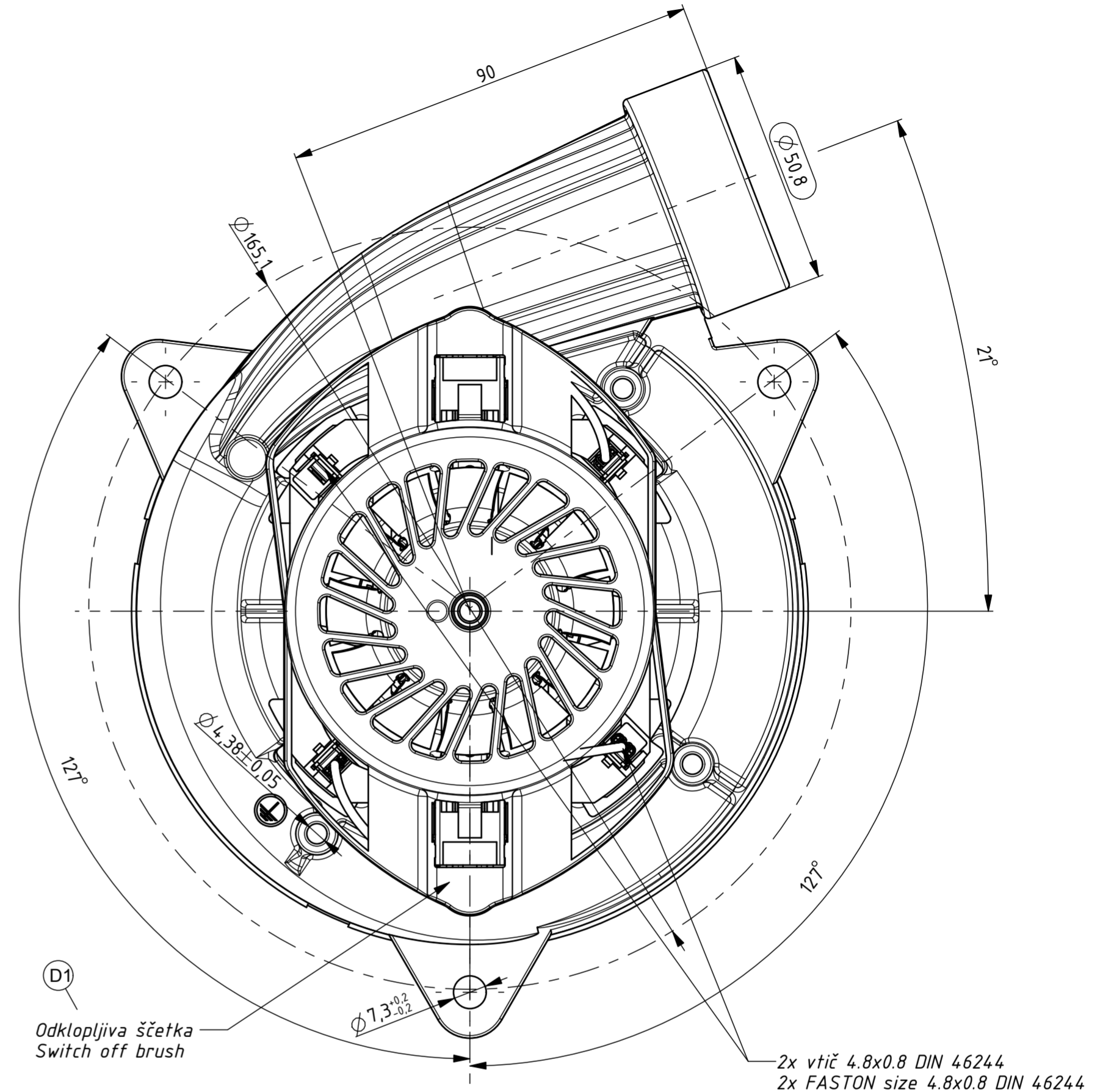
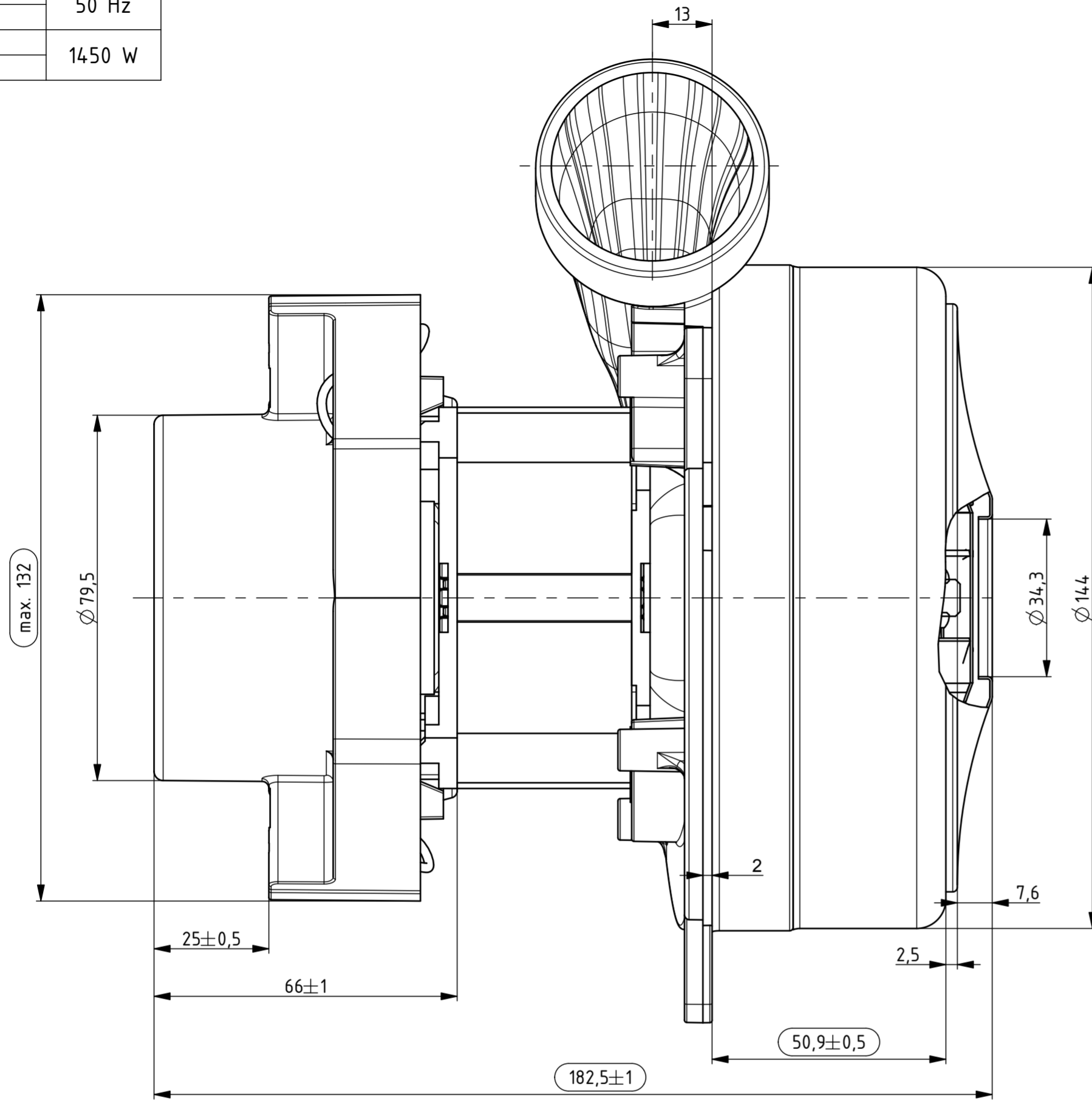


NAPETOST VOLTAGE	230 V
FREKVENCA FREQUENCY	50 Hz
NAZIVNA MOČ NOMINAL POWER	1450 W



Izdelano s CAD/ProEngineer - ročno spreminjanje ni dovoljeno! Vsak prenos tretjim osebam ali uporaba v nedogovorjene namene ni dovoljena po zakonu o avtorskih pravicah. Made with CAD/ProEngineer - changing is not allowed! Any unauthorized copying of this drawing or unauthorized distribution of the information contained herein is prohibited.

Oznake natisnjene na SE:
Information stamped on VCM:

491.3.737-2	230 V
XXXX I.C.L.F	50 Hz
	1450 W



One carbon brush with switch-off mechanism.
All dimensions in mm.

Tolerance odprtih mer Tolerances without individual indications ISO 8015 ISO 2768 - mK		Površinska hrapavost Surface finishing		Merilo Scale		Original format ISO 5457 - A2	
Datum/Date		Ime/Name		Naziv Title		Gradivo / Material	
Izdelal Designed		30.7.2009		M. Novinc		SESALNA ENOTA VACUUM CLEANER MOTOR	
Pregl. Verified		25.11.2014		J. Rihtaršič		Koda Code	
D1		11583		25.11.14		I. Potočnik	
C2		11016		13.11.13		I. Potočnik	
B1		9648		26.11.10		I. Potočnik	
A0		9098		02.09.09		M. Novinc	
Ozn. Mark		Št. obvestila Nr. of notice		Datum Date		Ime Name	
						DOMEL® Otoki 21, 4228 Železniki, Slovenija	
						491.3.737-2	
						List Sheet	
						3+	
						Stran Page	
						1	
						4913737002_SESALNA_ENOTA	