



# ENAPART



93 S Railroad Avenue Unit C  
Bergenfield NJ 07621 USA  
[www.enapart.com](http://www.enapart.com)  
[sales@enapart.com](mailto:sales@enapart.com)



Via del Canneto 35,  
Borgosatollo, Brescia - Italia  
[www.enapart.it](http://www.enapart.it)  
[vendite@enapart.it](mailto:vendite@enapart.it)



Barbaros Mah. Ihlamur Bul. Aĝaoĝlu  
My Newwork No:3/15 Ataşehir / İstanbul  
[www.enapart.net](http://www.enapart.net)  
[satis@enapart.net](mailto:satis@enapart.net)



PRIVADA 10 B SUR #3908 COL.  
ANZUREZ, C.P. 72530, PUEBLA, PUE  
[www.enapart.com.mx](http://www.enapart.com.mx)  
[sales@enapart.com.mx](mailto:sales@enapart.com.mx)



Friedrich-Ebert-Anlage 36, 60325  
Frankfurt am Main, Germany  
[www.enapart.de](http://www.enapart.de)  
[anfrage@enapart.de](mailto:anfrage@enapart.de)



4 boulevard Carnot, 95400  
villiers-le-bel, Paris, France  
[www.enapart.fr](http://www.enapart.fr)  
[sales@enapart.fr](mailto:sales@enapart.fr)



65049, ОДЕСА, ВУЛИЦЯ ІВАНА  
ФРАНКА, БУДИНОК 55, ПОВЕРХ 3  
[www.enapart.com.ua](http://www.enapart.com.ua)  
[sales@enapart.com.ua](mailto:sales@enapart.com.ua)



MUNICIPIUL BUCUREȘTI, SECTOR 3,  
B-DUL BASARABIA, NR.250, CORP P+5  
[www.enapart.ro](http://www.enapart.ro)  
[sales@enapart.ro](mailto:sales@enapart.ro)



〒584-0023 大阪府富田林市若松町  
東2丁目2番16号  
[www.enapart.co.jp](http://www.enapart.co.jp)  
[sales@enapart.co.jp](mailto:sales@enapart.co.jp)



PLAZA NUESTRA SEÑORA DE LAS  
NIEVES 12 ,LOCAL ,50012,ZARAGOZA  
[www.enapart.es](http://www.enapart.es)  
[ventas@enapart.es](mailto:ventas@enapart.es)

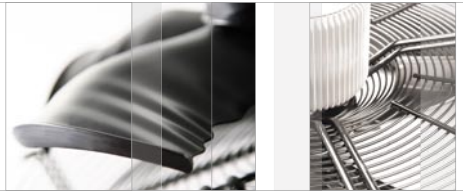


Складова база „Онгъл“, Склад А2, п.к.  
4006, гр. Пловдив, България  
[www.enapart.bg](http://www.enapart.bg)  
[sales@enapart.bg](mailto:sales@enapart.bg)



3 Austin Mews, High Street, Hemel  
Hempstead, HP1 3AF , United Kingdom  
[www.enapart.co.uk](http://www.enapart.co.uk)  
[sales@enapart.co.uk](mailto:sales@enapart.co.uk)

# Hidria



**Fans catalogue**



### **General data**

Motors for fans are thermally protected - F or B insulation class and with internal protection IP54, IP44 and IP56.

Maintenance free ball bearings, suitable for min ambient temperature of -30 °C are mounted (special ones for different conditions are available on request). Life time expectancy L10 for bearings is at least 40.000h and depends on ambient temperature and application conditions.

### **Air performance**

Air performance of fans is measured according to ISO 5801-1997 with the fan measured on its sucking side. The results are valid for an air density of  $\rho = 1,2\text{kg/m}^3$  at 20 °C. Under another conditions, values can be different.

### **Speed controllers**

Under agreed conditions, fans are suitable for operating with speed controllers by voltage reduction (autotransformer, triac) or by voltage/frequency reduction (frequency converter).

If the speed control is applied, increased temperature-rise and noise may be expected and has to be reviewed in the final application. Also EMC requirements must be achieved in the final application and the manufacturer or user of control unit is responsible for it.

In order to assure the best performance of our fans controlled with PWM Frequency Converter, it is highly recommended to use the "Sine Wave Filter" on converter output with right settings of PWM Frequency Converter.

With right settings of controller parameters regarding "Torque characteristics" or "Voltage / Frequency characteristics" can be reduced electrical current at low RPM's, can be reduced heating of the motor at low RPM's and also saving energy.

If the shielded cable is to be used, both ends of cable shield must be grounded.

Using of ferrite ring at the ends of connection cable additionally reduce the current in ground conductor which reduce RF disturbances.

In the catalogue are our standard products.

Custom design and modifications are available on request.

Accessories as guard grills, wall plates, can be delivered assembled or separately.

Additional information: drawings, test reports, special data, approvals etc. is available on request.

We keep rights to make any dimensional and design changes due to our improvement process.





**Axial Fans With Electronic Drives**  
page: 6 - 15



**HEF Axial Fans**  
page: 16 - 43



**Axial Fans With Plastic Blades**  
page: 44 - 53



**Axial Fans**  
page: 54 - 107



**Centrifugal Fans**  
page: 108 - 119



**Accessories**  
page: 120 - 127

## Typical features of the Hidria EC-motor fan

- High efficiency throughout the entire speed range.
- Speed setting via linear voltage input (0-10V) or PWM signal.
- Two analog inputs for easy closed loop control (PID regulator build-in).
- Both analog inputs can be used as digital inputs.
- Multifunction digital output (open collector) for tach-out, alarm signal or slave control. Tach-out signal can be 1, 2, 3, 4, 6 or 12 pulses per revolution.
- Analog input adjustment to fit customer's sensor.
- All adjustments can be made with a PC or can be factory preset.
- Low-noise operation across the entire speed range.
- Integrated EMC filter.

All features are available on request.

The standard version of an EC-motor fan has:

- One analog input (0-10V or PWM input).
- Sensor power supply 10VDC (max 30mA)
- Tach-out signal (OC) (default: 1 pulse per revolution)

## Example of type key for Axial fans with EC motor

### R09R-3530HS-ECM-4200

- R09** External rotor motor type
- R** Accessory type (E-without guard grill, R-with guard grill, P-with guard grill and wall plate)
- 35** Fan diameter x 10 (exact diameters are stated in drawings)
- 30H** HEF blade angle
- S** Airflow direction (S-sucking, B-blowing)
- EC** Fan with EC motor
- M** Electrical connection (M-single phase; T-three phase)
- 42** Motor stack height
- 00** Combination of motor/electronics/software

## Example of type key for Axial fans with Integrated Frequency Converter

### R13R-6330HA-I6M-7057

- R13** External rotor motor type
- R** Accessory type (E-without guard grill, R-with guard grill, P-with guard grill and wall plate)
- 63** Fan diameter x 10 (exact diameters are stated in drawings)
- 30H** HEF blade angle
- S** Airflow direction (S-sucking, B-blowing)
- I** Fan with Inverter drive
- 6** Number of poles
- M** Number of phases (M-single phase, T-three phase)
- 70** Motor stack height
- 57** Electrical design



# **Axial Fans With Electronic Drives**





Diameter: 250 mm

R09\_-2528\_-ECM-2500

**Fan with wall plate**

**Airflow**

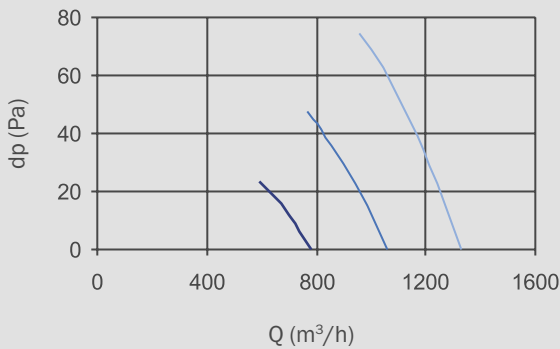
**Direction Type:**

- »S« R09P-2528S-ECM-2500
- »B« R09P-2528B-ECM-2500

Available on request

**Aerodynamic characteristic:**

- 1900min<sup>-1</sup> / Ua = 10V
- 1520min<sup>-1</sup> / Ua=8V
- 1140min<sup>-1</sup> / Ua=6V



Ua = Analog input voltage for speed control (0 - 10V)

**Performance Data:**

- 1~230V 50/60Hz
- P<sub>1</sub> = 70W
- n = 1900min<sup>-1</sup>
- I = 0,60A
- T<sub>R</sub> = -30 to +65 °C
- Connection: cable
- Overload Electronic Protection
- Ins.Cl. F
- IP44

**Notes:**

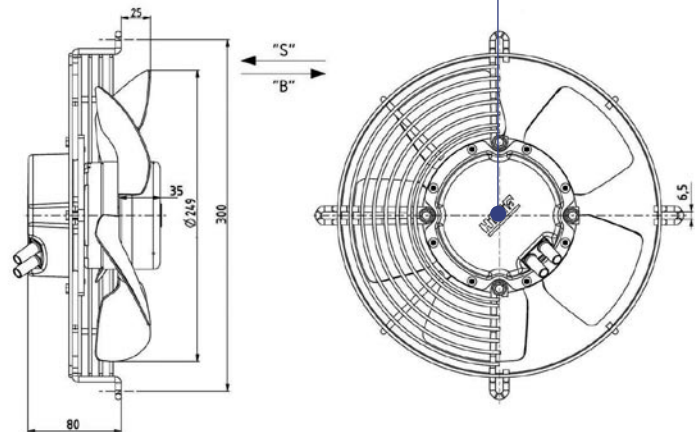
Fan characteristic measured in short bell mouth with guard grill

**Fan with guard grill**

**Airflow**

**Direction Type:**

- »S« R09R-2528S-ECM-2500
- »B« R09R-2528B-ECM-2500



**Weight:**  
3,4 kg

**Fan without guard grill**

**Airflow**

**Direction Type:**

- »S« R09E-2528S-ECM-2500
- »B« R09E-2528B-ECM-2500

Available on request

**Fan with wall plate****Airflow****Direction****Type:**

- »S« R09P-3030HS-ECM-2500  
 »B« R09P-3030HB-ECM-2500

Available on request

R09\_-3030H\_-ECM-2500



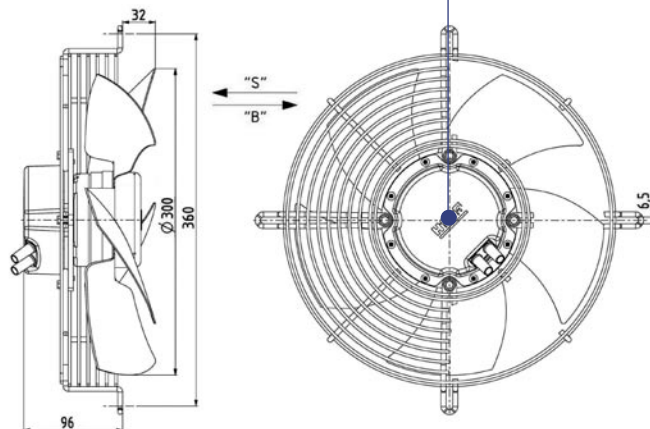
**Diameter:** 300 mm

**Fan with guard grill****Airflow****Direction****Type:**

- »S« R09R-3030HS-ECM-2500  
 »B« R09R-3030HB-ECM-2500

**Code:**

0309-4-2003



**Weight:**  
3,3 kg

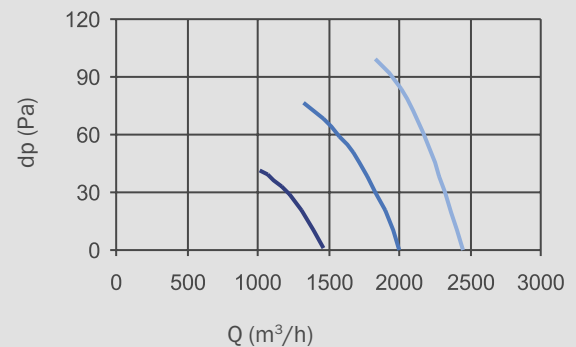
**Fan without guard grill****Airflow****Direction****Type:**

- »S« R09E-3030HS-ECM-2500  
 »B« R09E-3030HB-ECM-2500

Available on request

**Aerodynamic characteristic:**

- 1950min<sup>-1</sup> / U<sub>a</sub> = 10V  
 1560min<sup>-1</sup> / U<sub>a</sub> = 8V  
 1170min<sup>-1</sup> / U<sub>a</sub> = 6V



U<sub>a</sub> = Analog input voltage for speed control (0 - 10V)

**Performance Data:**

1~230V 50/60Hz  
 $P_1 = 140W$   
 $n = 1950min^{-1}$   
 $I = 1,2A$   
 $t_R = -30 \text{ to } +65^\circ C$   
 $L_{wa} = 73dB(A) \text{ at } 1950min^{-1}$   
 Connection: cable  
 Overload Electronic Protection  
 Ins.Cl. F  
 IP44

**Notes:**

Fan characteristic measured in short bell mouth with guard grill



**Diameter:** 315 mm

R09\_-3130H\_-ECM-2500

### Fan with wall plate

#### Airflow

#### Direction Type:

»S«

R09P-3130HS-ECM-2500

»B«

R09P-3130HB-ECM-2500

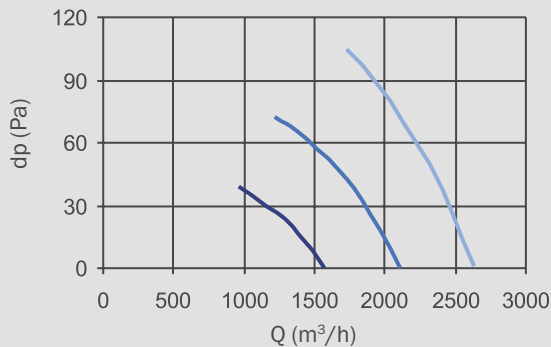
Available on request

### Aerodynamic characteristic:

1650min<sup>-1</sup> at U<sub>a</sub> = 10V

1320min<sup>-1</sup> at U<sub>a</sub> = 8V

990min<sup>-1</sup> at U<sub>a</sub> = 6V



U<sub>a</sub> = Analog input voltage for speed control (0 - 10V)

### Performance Data:

1~230V 50/60Hz

P<sub>1</sub> = 140W

n = 1670min<sup>-1</sup>

I = 1,2A

t<sub>r</sub> = -30 to +65 °C

L<sub>wa</sub> = 73dB(A) at 1670 min<sup>-1</sup>

Connection: cable

Overload Electronic Protection

Ins.Cl. F

IP44

### Notes:

Fan characteristic measured in short bell mouth with guard grill

### Fan with guard grill

#### Airflow

#### Direction Type:

»S«

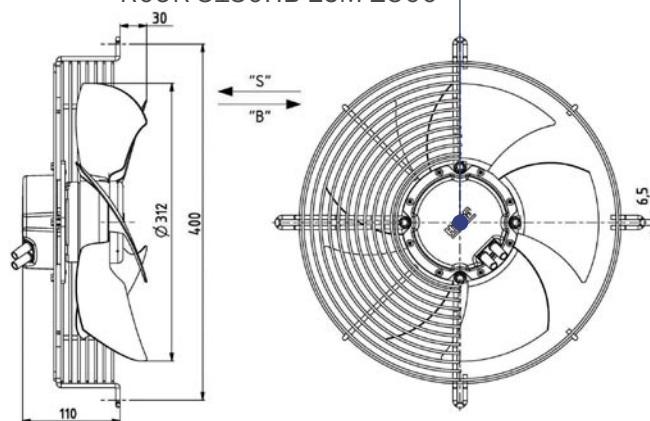
R09R-3130HS-ECM-2500

»B«

R09R-3130HB-ECM-2500

#### Code:

0309-4-2002



#### Weight:

3,3 kg

### Fan without guard grill

#### Airflow

#### Direction Type:

»S«

R09E-3130HS-ECM-2500

»B«

R09E-3130HB-ECM-2500

Available on request

**Fan with wall plate**

**Airflow**

**Direction**

**Type:**

- »S« R09P-3330HS-ECM-2500
- »B« R09P-3330HB-ECM-2500

Available on request

R09\_-3330HS-ECM-2500



**Diameter:** 330 mm

**Fan with guard grill**

**Airflow**

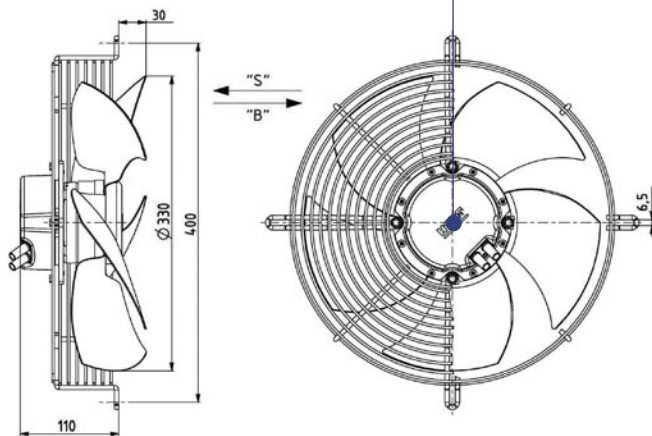
**Direction**

**Type:**

- »S« R09R-3330HS-ECM-2500
- »B« R09P-3330HB-ECM-2500

**Code:**

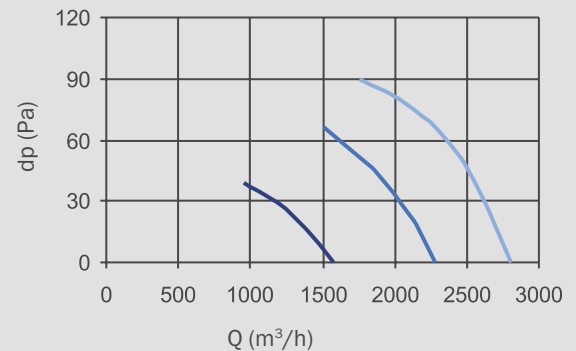
0309-4-2001



**Weight:**  
3,5 kg

**Aerodynamic characteristic:**

- 1550min<sup>-1</sup> / U<sub>a</sub> = 10V
- 1240min<sup>-1</sup> / U<sub>a</sub> = 8V
- 930min<sup>-1</sup> / U<sub>a</sub> = 6V



U<sub>a</sub> = Analog input voltage for speed control (0 - 10V)

**Fan without guard grill**

**Airflow**

**Direction**

**Type:**

- »S« R09E-3330HS-ECM-2500
- »B« R09E-3330HB-ECM-2500

Available on request

**Performance Data:**

- 1~230V 50/60Hz
- P<sub>1</sub> = 140W
- n = 1550min<sup>-1</sup>
- I = 1,2A
- t<sub>R</sub> = -30 to +65 °C
- Lwa = 70dB(A) at 1550min<sup>-1</sup>
- Connection: cable
- Overload Electronic Protection
- Ins.Cl. F
- IP44

**Notes:**

Fan characteristic measured in short bell mouth with guard grill



**Diameter:** 350 mm

R09\_-3530HS-ECM-2500

### Fan with wall plate

#### Airflow

#### Direction Type:

»S« R09P-3530HS-ECM-2500  
»B« R09P-3530HB-ECM-2500

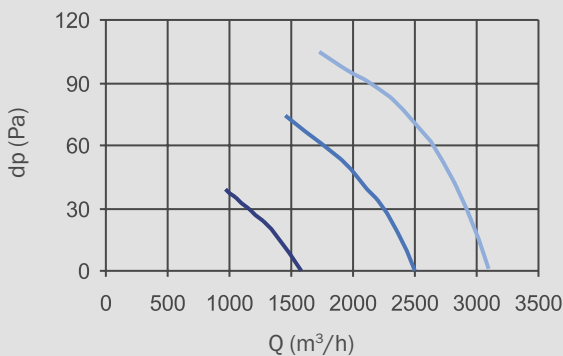
Available on request

### Aerodynamic characteristic:

1500min<sup>-1</sup> / U<sub>a</sub>=10V

1200min<sup>-1</sup> / U<sub>a</sub>=8V

900min<sup>-1</sup> / U<sub>a</sub> = 6V



U<sub>a</sub> = Analog input voltage for speed control (0 - 10V)

### Performance Data:

1~230V 50/60Hz

P<sub>1</sub> = 160W

n = 1500min<sup>-1</sup>

I = 1,3A

t<sub>R</sub> = -30 to +65 °C

L<sub>wa</sub> = 72dB(A) at 1500 min<sup>-1</sup>

Connection: cable

Overload Electronic Protection

Ins.Cl. F

IP44

### Notes:

Fan characteristic measured in short bell mouth with guard grill

### Fan with guard grill

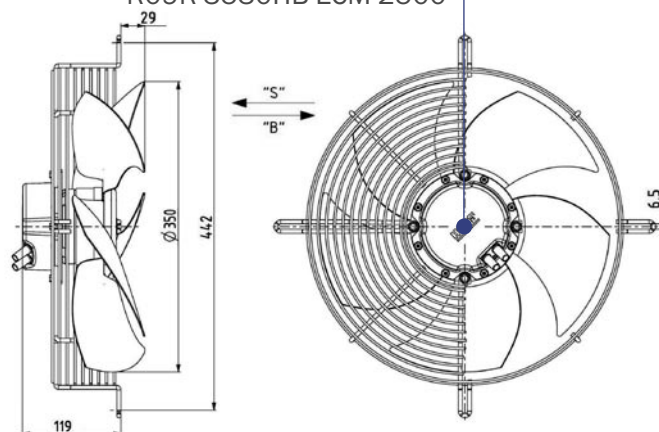
#### Airflow

#### Direction Type:

»S« R09R-3530HS-ECM-2500  
»B« R09R-3530HB-ECM-2500

#### Code:

0309-4-2000



#### Weight:

3,6 kg

### Fan without guard grill

#### Airflow

#### Direction Type:

»S« R09E-3530HS-ECM-2500  
»B« R09E-3530HB-ECM-2500

Available on request

#### Weight:

XX kg

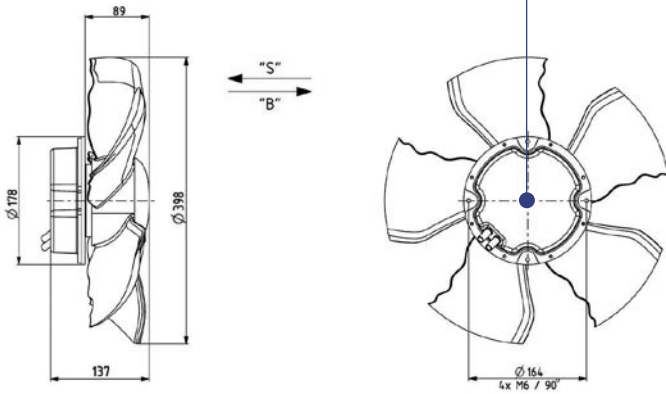
**Fan with wall plate**

**Airflow**

**Direction**

**Type:**

- »S« R11P-40SPS-ECM-3500
- »B« R11P-40SPB-ECM-3500



**Weight:**  
3,4 kg

R11\_-40SP\_-ECM-3500



**Diameter:** 400 mm

**Fan with guard grill**

**Airflow**

**Direction**

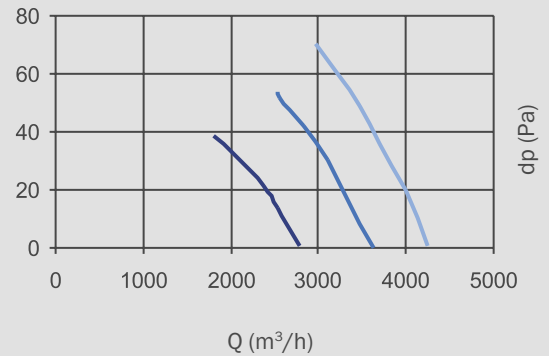
**Type:**

- »S« R11R-40SPS-ECM-3500
- »B« R11R-40SPB-ECM-3500

Available on request

**Aerodynamic characteristic:**

- 1300min<sup>-1</sup> / U<sub>a</sub>=10V
- 1040min<sup>-1</sup> / U<sub>a</sub>=8V
- 780min<sup>-1</sup> / U<sub>a</sub> = 6V



U<sub>a</sub> = Analog input voltage for speed control (0 - 10V)

**Fan without guard grill**

**Airflow**

**Direction**

**Type:**

- »S« R11E-40SPS-ECM-3500
- »B« R11E-40SPB-ECM-3500

Available on request

**Performance Data:**

- 1~230V 50/60Hz
- P<sub>1</sub> = 195W
- n = 1250min<sup>-1</sup>
- I = 1,4A
- T<sub>R</sub> = -30 to +65 °C
- Connection: cable
- Overload Electronic Protection
- Ins.Cl. F
- IP44

**Notes:**

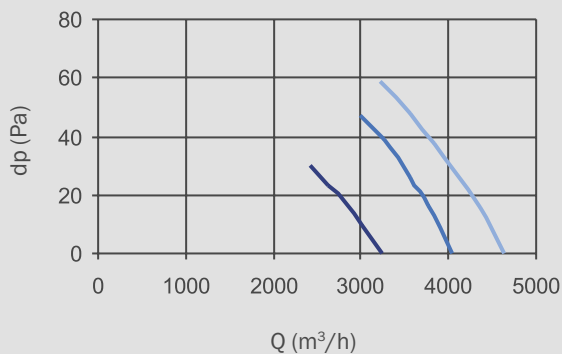
Fan characteristic measured in short bell mouth with guard grill



**Diameter:** 420 mm

#### Aerodynamic characteristic:

1200min<sup>-1</sup> / U<sub>a</sub>=10V ———  
 960min<sup>-1</sup> / U<sub>a</sub>=8V ———  
 720min<sup>-1</sup> / U<sub>a</sub> = 6V ———



U<sub>a</sub> = Analog input voltage for speed control (0 - 10V)

#### Performance Data:

1~230V 50/60Hz  
 $P_1 = 195W$   
 $n = 1200min^{-1}$   
 $I = 1,3A$   
 $T_R = -30 \text{ to } +65^\circ C$   
 Connection: cable  
 Overload Electronic Protection  
 Ins.Cl. F  
 IP44

#### Notes:

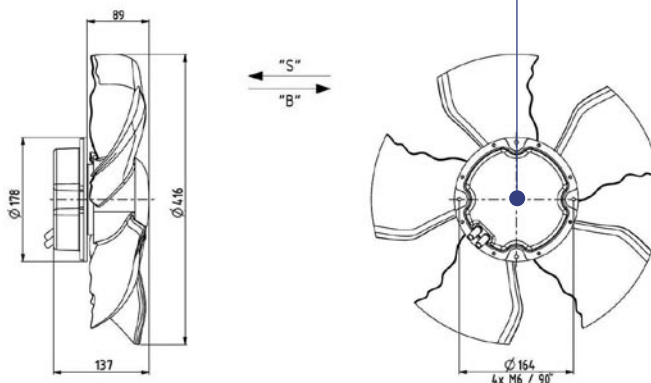
Fan characteristic measured in short bell mouth with guard grill

#### R11P-42SP-ECM-3500 Fan with wall plate

##### Airflow

##### Direction Type:

»S« R11P-42SPS-ECM-3500  
 »B« R11P-42SPB-ECM-3500



##### Weight:

3,5 kg

#### R11R-42SP-ECM-3500 Fan with guard grill

##### Airflow

##### Direction Type:

»S« R11R-42SPS-ECM-3500  
 »B« R11R-42SPB-ECM-3500

Available on request

#### R11E-42SP-ECM-3500 Fan without guard grill

##### Airflow

##### Direction Type:

»S« R11E-42SPS-ECM-3500  
 »B« R11E-42SPB-ECM-3500

Available on request

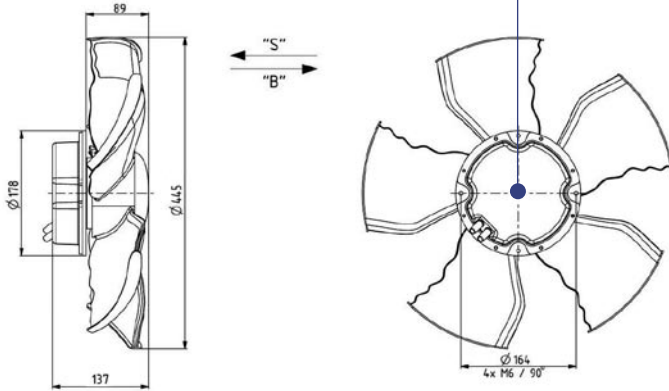
**Fan with wall plate**

**Airflow**

**Direction**

**Type:**

- »S« R11P-45SPS-ECM-3500
- »B« R11P-45SPB-ECM-3500



**Weight:**  
3,5 kg

R11\_-45SP\_-ECM-3500



**Diameter:** 450 mm

**Fan with guard grill**

**Airflow**

**Direction**

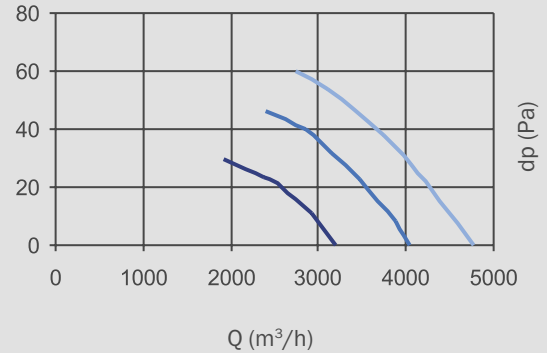
**Type:**

- »S« R11R-45SPS-ECM-3500
- »B« R11R-45SPB-ECM-3500

Available on request

**Aerodynamic characteristic:**

- 1000min<sup>-1</sup> / U<sub>a</sub>=10V
- 800min<sup>-1</sup> / U<sub>a</sub>=8V
- 600min<sup>-1</sup> / U<sub>a</sub> = 6V



U<sub>a</sub> = Analog input voltage for speed control (0 - 10V)

**Fan without guard grill**

**Airflow**

**Direction**

**Type:**

- »S« R11E-45SPS-ECM-3500
- »B« R11E-45SPB-ECM-3500

Available on request

**Performance Data:**

- 1~230V 50/60Hz
- P<sub>1</sub> = 170W
- n = 1000min<sup>-1</sup>
- I = 1,3A
- T<sub>R</sub> = -30 to +65 °C
- Connection: cable
- Overload Electronic Protection
- Ins.Cl. F
- IP44

**Notes:**

Fan characteristic measured in short bell mouth with guard grill





R13\_5030HS-I6M-7057

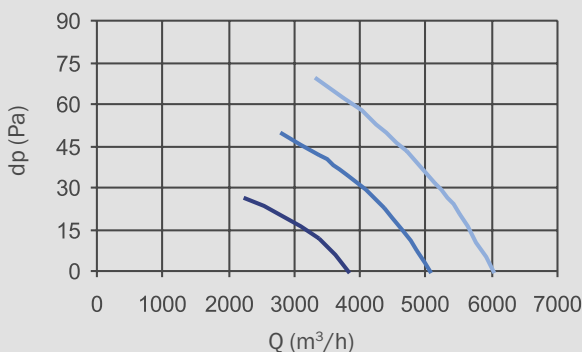
**Fan with wall plate****Airflow****Direction**

»S«

**Type:**

R13P-5030HS-I6M-7057

Available on request

**Diameter:** 500 mm**Aerodynamic characteristic:**950min<sup>-1</sup> / U<sub>a</sub>=10V800min<sup>-1</sup> / U<sub>a</sub>=8V600min<sup>-1</sup> / U<sub>a</sub>=6VU<sub>a</sub> = Analog input voltage for speed control (0 - 10V)**Performance Data:**

Input Voltage: 1 ph ~ 184 - 264V

Input Frequency: 50 / 60Hz

Input Power: 280W

Input Current: 1,8A

Output Frequency: 5 - 50Hz, limited with motor rated power

Frequency Resolution: 0,3Hz

PWM Switching Frequency: 20kHz

Speed References: 0 - 10V, PWM, RS485 (optional)

Alarm Relay: 2A / 250VAC NC &amp; NO

Over Temp. Protection: electronics &amp; motor

Locked Rotor Protection

Short Circuit Protection

Limitation of Motor Current

Built in active PFC (Power Factor Correction)

EMC Legislation: EN61000-6-2, EN61000-6-4

t<sub>R</sub> = -30 to +60 °C

Connection: terminal box

Ins.Cl.F

IP54

**Notes:**

Fan characteristic measured in full bell mouth with guard grill

**Fan with guard grill****Airflow****Direction**

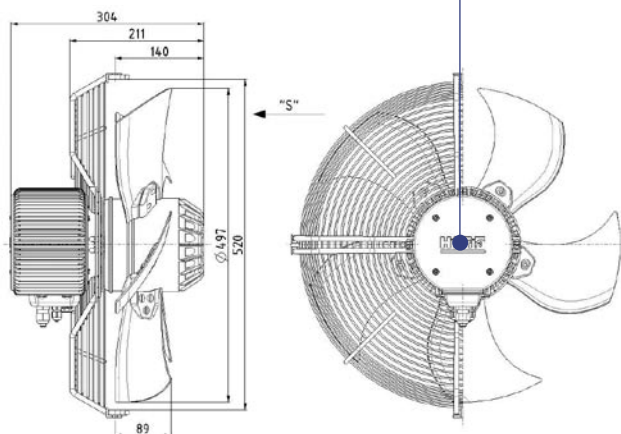
»S«

**Type:**

R13R-5030HS-I6M-7057

**Code:**

0313-4-2004

**Weight:**  
14,5 kg**Fan without guard grill****Airflow****Direction**

»S«

**Type:**

R13E-5030HS-I6M-7057

Available on request

**Fan with wall plate****Airflow****Direction****Type:**

»S«

R13P-5630HS-I6M-7057

Available on request

R13\_-5630HS-I6M-7057

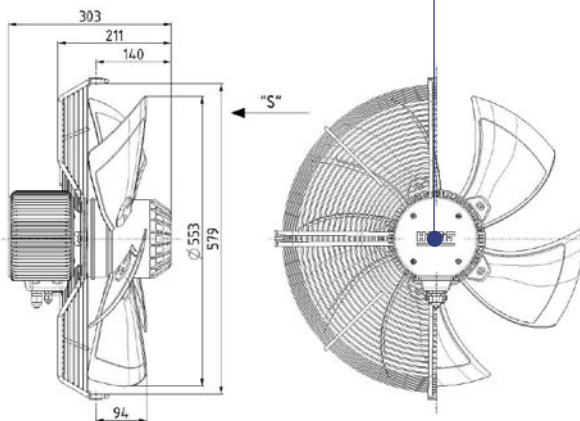
**Diameter:** 560 mm**Fan with guard grill****Airflow****Direction****Type:**

»S«

R13R-5630HS-I6M-7057

**Code:**

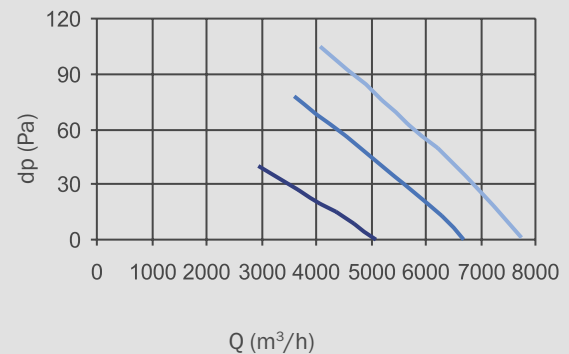
0313-4-2003

**Weight:**  
15,3 kg**Fan without guard grill****Airflow****Direction****Type:**

»S«

R13E-5630HS-I6M-7057

Available on request

**Aerodynamic characteristic:**910min<sup>-1</sup> / U<sub>a</sub>=10V800min<sup>-1</sup> / U<sub>a</sub>=8V600min<sup>-1</sup> / U<sub>a</sub>=6VU<sub>a</sub> = Analog input voltage for speed control (0 - 10V)**Performance Data:**

Input Voltage: 1 ph ~ 184 - 264V

Input Frequency: 50 / 60Hz

Input Power: 450W

Input Current: 3A

Output Frequency: 5 - 50Hz, limited with motor rated power

Frequency Resolution: 0,3Hz

PWM Switching Frequency: 20kHz

Speed References: 0 - 10V, PWM, RS485 (optional)

Alarm Relay: 2A / 250VAC NC &amp; NO

Over Temp. Protection: electronics &amp; motor

Locked Rotor Protection

Short Circuit Protection

Limitation of Motor Current

Built in active PFC (Power Factor Correction)

EMC Legislation: EN61000-6-2, EN61000-6-4

t<sub>R</sub> = -30 to +60 °C

Connection: terminal box

Ins.Cl.F

IP54

**Notes:**

Fan characteristic measured in full bell mouth with guard grill



R13\_-6330HS-I6M-7057

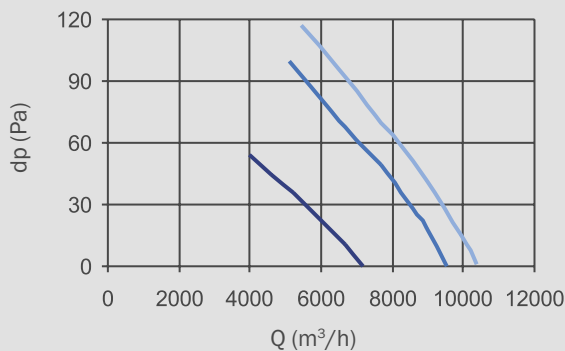
**Fan with wall plate****Airflow****Direction**

»S«

**Type:**

R13P-6330HS-I6M-7057

Available on request

**Diameter:** 630 mm**Aerodynamic characteristic:**880min<sup>-1</sup> / U<sub>a</sub>=10V800min<sup>-1</sup> / U<sub>a</sub>=8V600min<sup>-1</sup> / U<sub>a</sub>=6VU<sub>a</sub> = Analog input voltage for speed control (0 - 10V)**Performance Data:**

Input Voltage: 1 ph ~ 184 - 264V

Input Frequency: 50 / 60Hz

Input Power: 700W

Input Current: 4A

Output Frequency: 5 - 50Hz, limited with motor rated power

Frequency Resolution: 0,3Hz

PWM Switching Frequency: 20kHz

Speed References: 0 - 10V, PWM, RS485 (optional)

Alarm Relay: 2A / 250VAC NC &amp; NO

Over Temp. Protection: electronics &amp; motor

Locked Rotor Protection

Short Circuit Protection

Limitation of Motor Current

Built in active PFC (Power Factor Correction)

EMC Legislation: EN61000-6-2, EN61000-6-4

t<sub>R</sub> = -30 to +60 °C

Connection: terminal box

Ins.Cl.F

IP54

**Notes:**

Fan characteristic measured in full bell mouth with guard grill

**Fan with guard grill****Airflow****Direction**

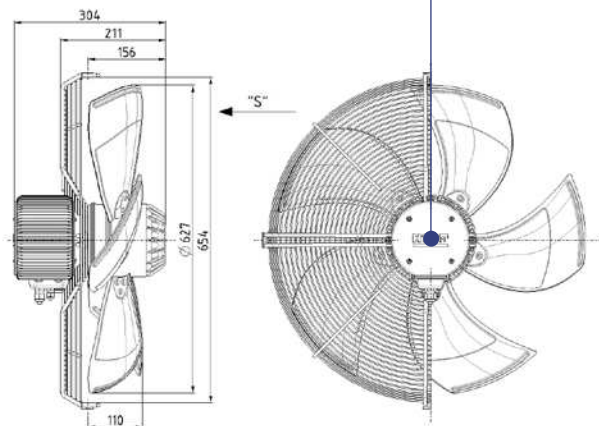
»S«

**Type:**

R13R-6330HS-I6M-7057

**Code:**

0313-4-2001

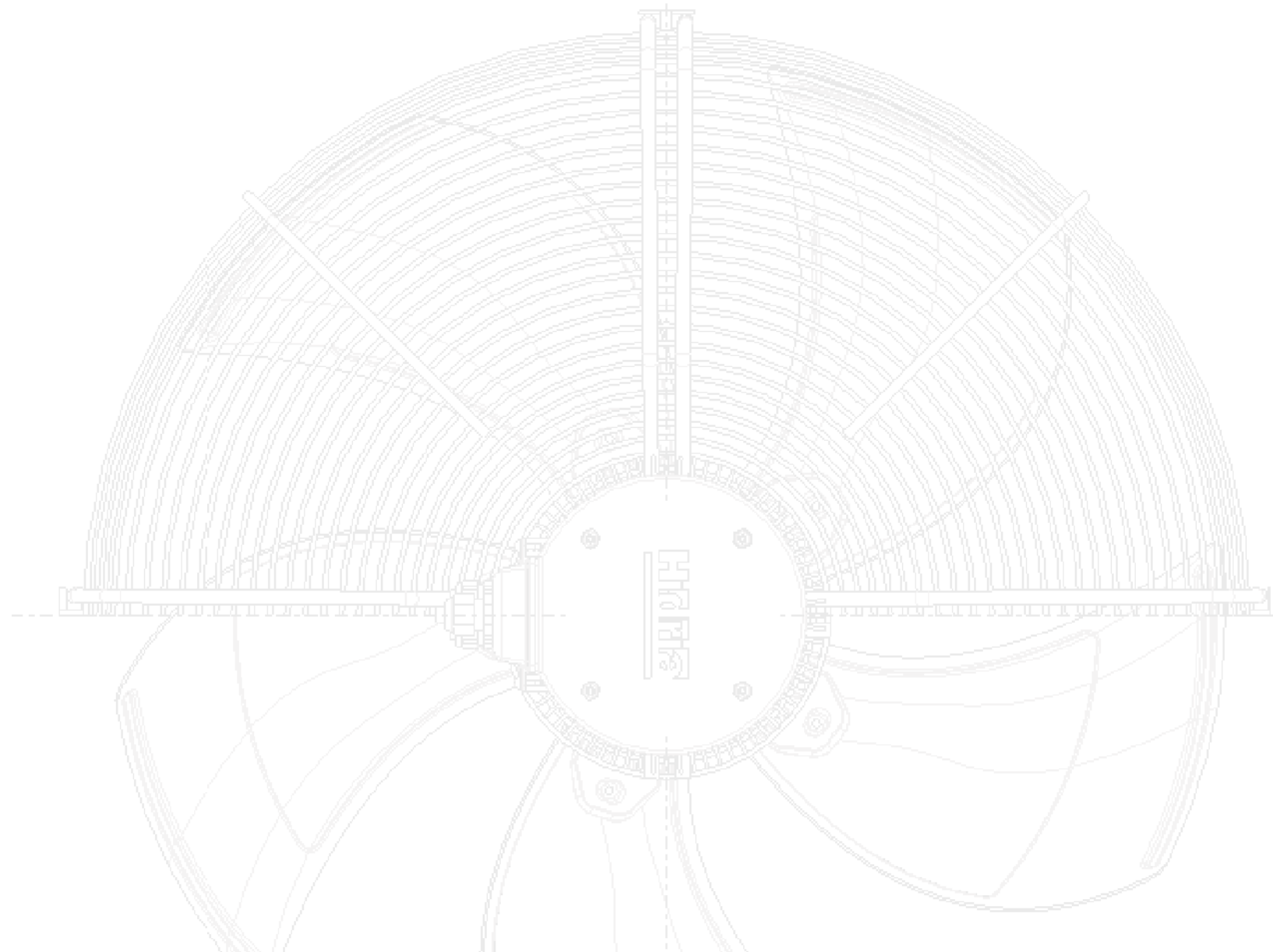
**Weight:**  
16,5 kg**Fan without guard grill****Airflow****Direction**

»S«

**Type:**

R13E-6330HS-I6M-7057

Available on request



# Axial Fans With Electronic Drives

### **Example of type key for HEF Axial fans**

#### **R09R-3530HA-4T2-4200**

- R09** External rotor motor type
- R** Accessory type (E-without guard grill, R-with guard grill, P-with guard grill and wall plate)
- 35** Fan diameter x 10 (exact diameters are stated in drawings)
- 30H** HEF blade angle
- A** Airflow direction (A-sucking, P-blowing)
- 4** Number of poles
- T** Number of phases (M-single phase, T-three phase)
- 2** Number of speeds
- 42** Motor stack height
- 00** Electrical design

**Development of energy saving and environment friendly HVAC systems**

**Project partially financed by ERDF**





# HEF Axial Fans



**Diameter:** 300 mm

R09\_-3030H\_-4M-2543

#### Fan with wall plate

##### Airflow

##### Direction Type:

»S«

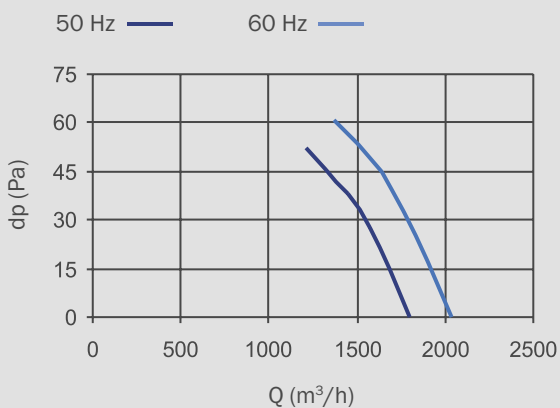
R09P-3030HA-4M-2543

»B«

R09P-3030HP-4M-2543

Available on request

#### Aerodynamic characteristic:



#### Performance Data:

1~230V 50/60Hz

$P_1 = 66 / 90W$

$n = 1370 / 1550\text{min}^{-1}$

$I = 0,31 / 0,40A$

$t_R = 70^\circ\text{C}$

$L_{wa} = 66 / 71\text{dB(A)}$

$C = 2\mu\text{F} / 450V$

Connection: terminal box

Ins.Cl. F

IP54

#### Notes:

Fan characteristic measured in full bell mouth with guard grill

#### Fan with guard grill

##### Airflow

##### Direction Type:

»S«

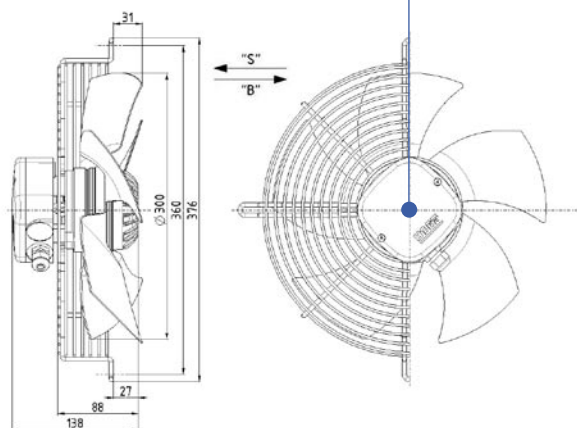
R09R-3030HA-4M-2543

»B«

R09R-3030HP-4M-2543

##### Code:

0309-4-1006



##### Weight:

3 kg

#### Fan without guard grill

##### Airflow

##### Direction Type:

»S«

R09E-3030HA-4M-2543

»B«

R09E-3030HP-4M-2543

Available on request

**Fan with wall plate****Airflow****Direction****Type:**

»S« R09P-3130HA-4M-3509  
 »B« R09P-3130HP-4M-3509

Available on request

R09\_-3130H\_-4M-3509



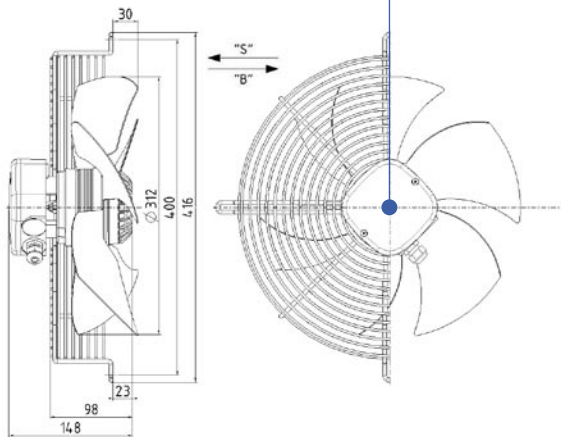
**Diameter:** 315 mm

**Fan with guard grill****Airflow****Direction****Type:**

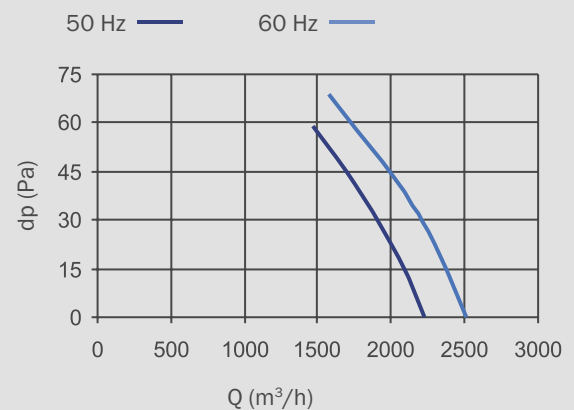
»S« R09R-3130HA-4M-3509  
 »B« R09R-3130HP-4M-3509

**Code:**

0309-4-1002



**Weight:**  
3,3 kg

**Aerodynamic characteristic:****Fan without guard grill****Airflow****Direction****Type:**

»S« R09E-3130HA-4M-3509  
 »B« R09E-3130HP-4M-3509

Available on request

**Performance Data:**

1~230V 50/60Hz

$P_1 = 90 / 120W$

$n = 1350 / 1500\text{min}^{-1}$

$I = 0,40 / 0,55A$

$t_R = 70 / 60^\circ C$

$L_{wa} = 68 / 72\text{dB}(A)$

$C = 3\mu F / 450V$

Connection: terminal box

Ins.Cl. F

IP54

**Notes:**

Fan characteristic measured in full bell mouth with guard grill





**Diameter:** 330 mm

R09\_-3330H\_-4M-3542

#### Fan with wall plate

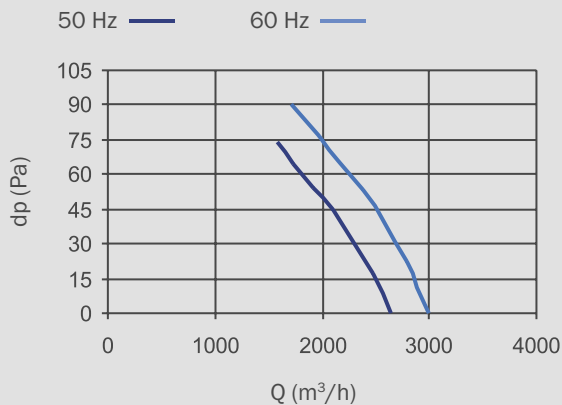
##### Airflow

##### Direction Type:

»S« R09P-3330HA-4M-3542  
»B« R09P-3330HP-4M-3542

Available on request

#### Aerodynamic characteristic:



#### Performance Data:

1~230V 50/60Hz  
 $P_1 = 130 / 170W$   
 $n = 1345 / 1500min^{-1}$   
 $I = 0,55 / 0,75A$   
 $t_R = 60^{\circ}C$   
 $Lwa = 70 / 74dB(A)$   
 $C=4\mu F/450V$   
 Connection: terminal box  
 Ins.Cl. F  
 IP54

#### Notes:

Fan characteristic measured in full bell mouth with guard grill

#### Fan with guard grill

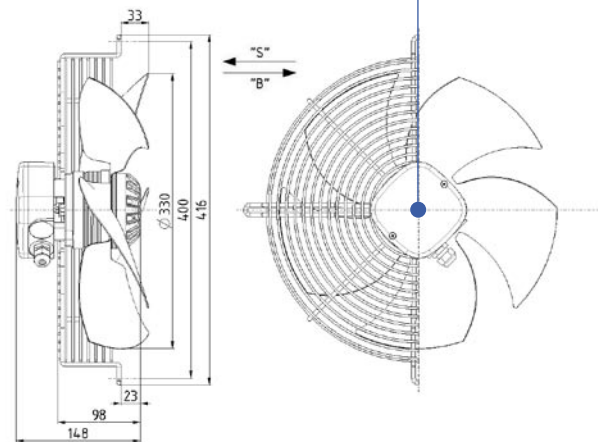
##### Airflow

##### Direction Type:

»S« R09R-3330HA-4M-3542  
»B« R09R-3330HP-4M-3542

##### Code:

0309-4-1001



**Weight:**  
3,4 kg

#### Fan without guard grill

##### Airflow

##### Direction Type:

»S« R09E-3330HA-4M-3542  
»B« R09E-3330HP-4M-3542

Available on request

**Fan with wall plate****Airflow****Direction****Type:**

»S« R09P-3530HA-4M-4231  
 »B« R09P-3530HP-4M-4231

Available on request

R09\_-3530H\_-4M-4231



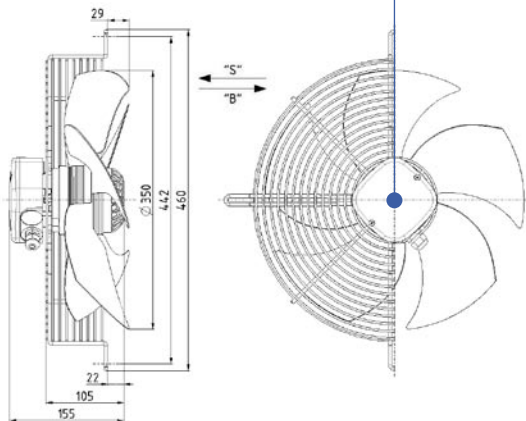
**Diameter:** 350 mm

**Fan with guard grill****Airflow****Direction****Type:**

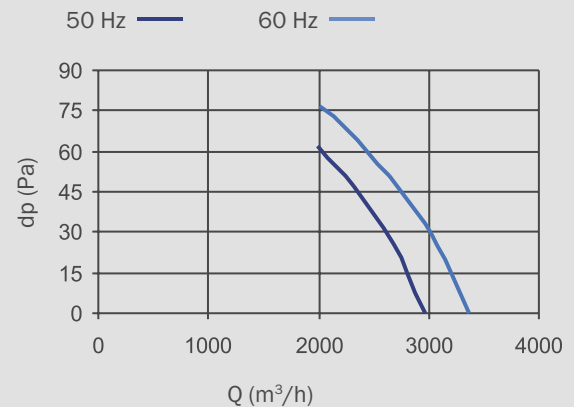
»S« R09R-3530HA-4M-4231  
 »B« R09R-3530HA-4M-4231

**Code:**

0309-4-1000



**Weight:**  
3,7 kg

**Aerodynamic characteristic:****Fan without guard grill****Airflow****Direction****Type:**

»S« R09E-3530HA-4M-4231  
 »B« R09E-3530HA-4M-4231

Available on request

**Performance Data:**

1~230V 50/60Hz  
 $P_1 = 130 / 170W$   
 $n = 1360 / 1550min^{-1}$   
 $I = 0,60 / 0,75A$   
 $t_R = 60^\circ C$   
 $Lwa = 72 / 75dB(A)$   
 $C=5\mu F/450V$   
 Connection: terminal box  
 Ins.Cl. F  
 IP54

**Notes:**

Fan characteristic measured in full bell mouth with guard grill



Diameter: 300 mm

R09\_-3030H\_-4T-2513

### Fan with wall plate

#### Airflow

#### Direction Type:

»S«

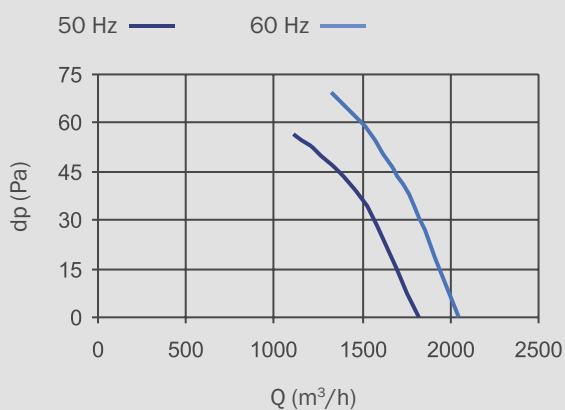
R09P-3030HA-4T-2513

»B«

R09P-3030HP-4T-2513

Available on request

### Aerodynamic characteristic:



### Performance Data:

3~230 / 400V 50/60Hz

$P_1 = 70 / 84W$

$n = 1380 / 1560\text{min}^{-1}$

$I = 0,35 / 0,20A / 0,30 / 0,18A$

$t_R = 55^\circ\text{C}$

Lwa=67 / 72 dB(A)

Connection: terminal box

Ins.Cl. F

IP54

### Notes:

Fan characteristic measured in full bell mouth with guard grill

### Fan with guard grill

#### Airflow

#### Direction Type:

»S«

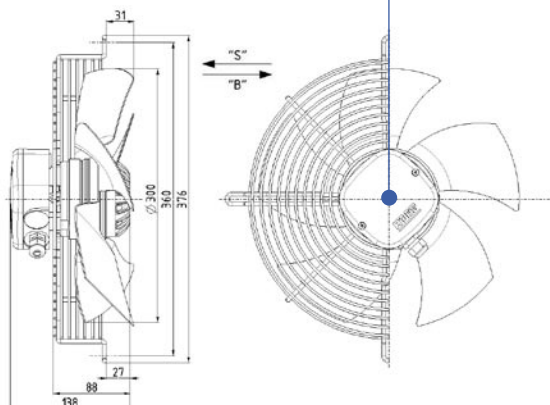
R09R-3030HA-4T-2513

»B«

R09R-3030HP-4T-2513

#### Code:

0309-4-1038



#### Weight:

3 kg

### Fan without guard grill

#### Airflow

#### Direction Type:

»S«

R09E-3030HA-4T-2513

»B«

R09E-3030HP-4T-2513

Available on request

**Fan with wall plate****Airflow****Direction****Type:**

»S«

R09P-3130HA-4T-3524

»B«

R09P-3130HP-4T-3524

Available on request

R09\_-3130H\_-4T-3524

**Diameter:** 315 mm**Fan with guard grill****Airflow****Direction****Type:**

»S«

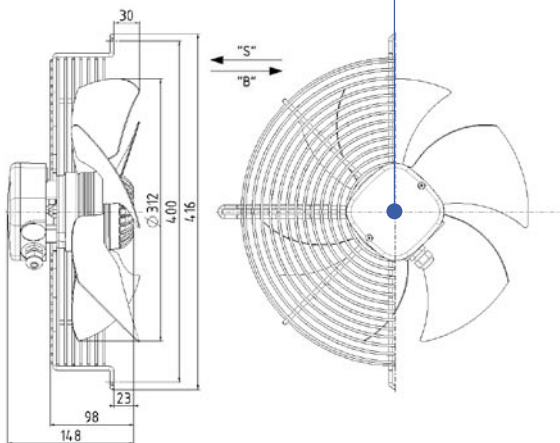
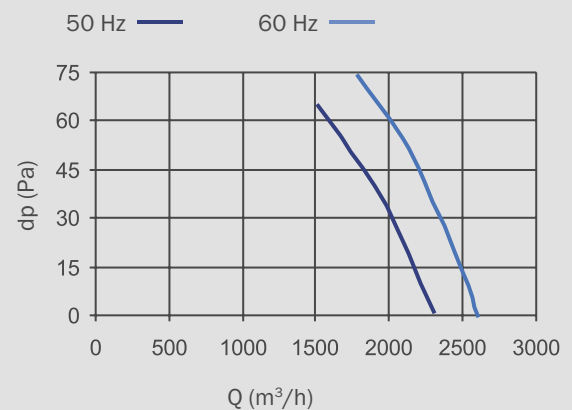
R09R-3130HA-4T-3524

»B«

R09R-3130HP-4T-3524

**Code:**

0309-4-1039

**Weight:**  
3,4 kg**Aerodynamic characteristic:****Fan without guard grill****Airflow****Direction****Type:**

»S«

R09E-3130HA-4T-3524

»B«

R09E-3130HP-4T-3524

Available on request

**Performance Data:**

3~230 / 400V 50/60Hz

 $P_1 = 100 / 120W$  $n = 1370 / 1530 \text{ min}^{-1}$  $I = 0,41 / 0,23A / 0,41 / 0,23A$  $t_R = 55^\circ C$ 

Lwa= 69 / 73dB(A)

Connection: terminal box

Ins.Cl. F

IP54

**Notes:**

Fan characteristic measured in full bell mouth with guard grill



Diameter: 350 mm

R09\_-3530H\_-4T-4203

#### Fan with wall plate

##### Airflow

##### Direction Type:

»S«

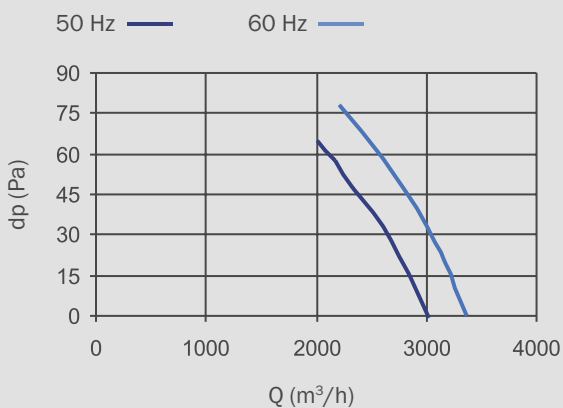
R09P-3530HA-4T-4203

»B«

R09P-3530HP-4T-4203

Available on request

#### Aerodynamic characteristic:



#### Performance Data:

3~230 / 400V 50/60Hz

$P_1 = 135 / 170W$

$n = 1380 / 1540min^{-1}$

$I = 0,53 / 0,30A / 0,53 / 0,30A$

$t_R = 50^\circ C$

$L_{wa} = 72 / 75dB$

Connection: terminal box

Ins.Cl. F

IP54

#### Notes:

Fan characteristic measured in full bell mouth with guard grill

#### Fan with guard grill

##### Airflow

##### Direction Type:

»S«

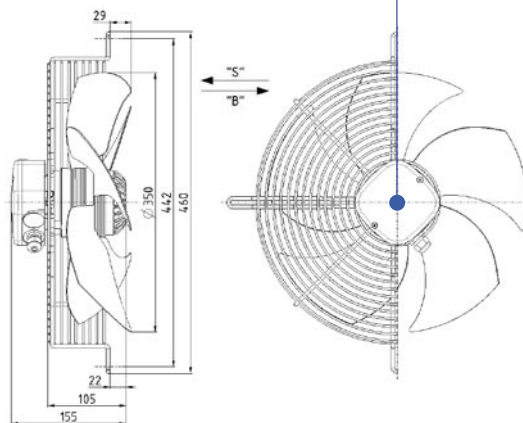
R09R-3530HA-4T-4203

»B«

R09R-3530HP-4T-4203

##### Code:

0309-4-1023



Weight:  
3,7 kg

#### Fan without guard grill

##### Airflow

##### Direction Type:

»S«

R09E-3530HA-4T-4203

»B«

R09E-3530HP-4T-4203

Available on request

**Fan with wall plate**

**Airflow**

**Direction**

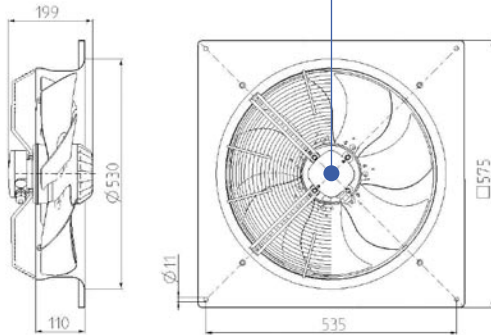
- »S«
- »B«

**Type:**

- R13P-4530HA-4T2-5059
- R13P-4530HP-4T2-5059

**Code:**

0313-4-1054



**Weight:**  
15,5 kg

R13\_-4530H\_-4T2-5059



**Diameter:** 450 mm

**Fan with guard grill**

**Airflow**

**Direction**

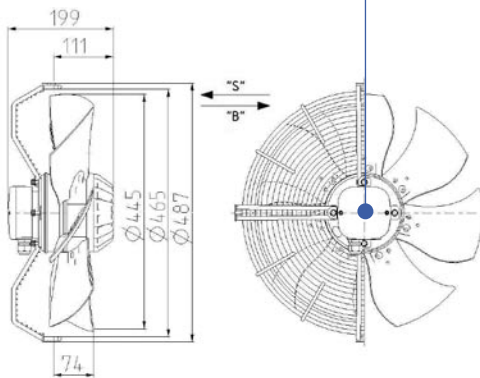
- »S«
- »B«

**Type:**

- R13R-4530HA-4T2-5059
- R13R-4530HP-4T2-5059

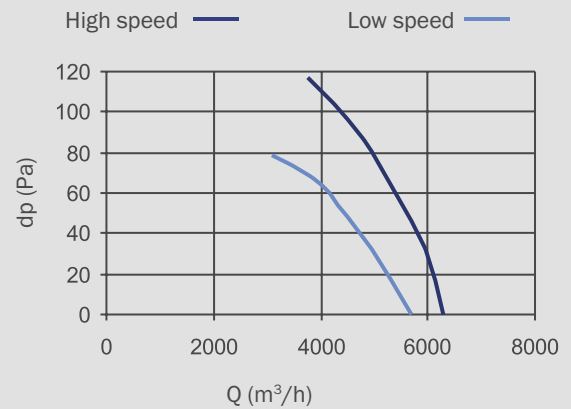
**Code:**

0313-4-1069



**Weight:**  
10 kg

**Aerodynamic characteristic:**



**Fan without guard grill**

**Airflow**

**Direction**

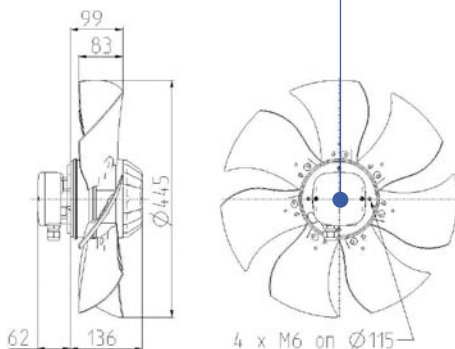
- »S«
- »B«

**Type:**

- R13E-4530HA-4T2-5059
- R13E-4530HP-4T2-5059

**Code:**

0313-4-1070



**Weight:**  
8,1 kg

**Performance Data:**

- 3~400V D/Y 50Hz
- $P_1 = 465 / 330W$
- $n = 1400 / 1260min^{-1}$
- $I = 0,95 / 0,50A$
- $t_R = 70^\circ C$
- $Lwa = 73 / 69dB(A)$
- Connection: terminal box
- Ins.Cl. F
- IP54

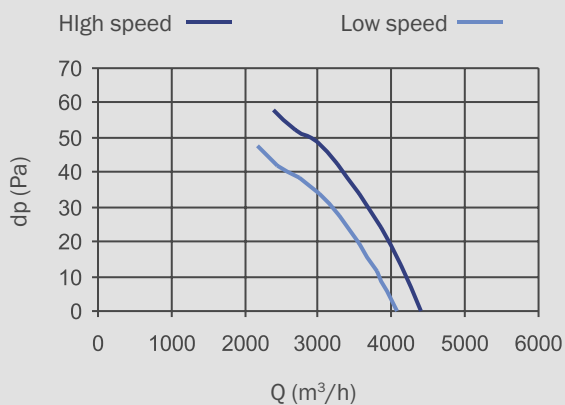
**Notes:**

Fan characteristic measured in full bell mouth with guard grill



**Diameter:** 450 mm

### Aerodynamic characteristic:



### Performance Data:

3~400V D/Y 50Hz  
 $P_1 = 170 / 105W$   
 $n = 940 / 840\text{min}^{-1}$   
 $I = 0,70 / 0,23A$   
 $t_R = 70^\circ\text{C}$   
 $L_{wa} = 67 / 62\text{dB(A)}$   
 Connection: terminal box  
 Ins.Cl. F  
 IP54

### Notes:

Fan characteristic measured in full bell mouth with guard grill

### Fan with wall plate

#### Airflow

#### Direction

»S«  
 »B«

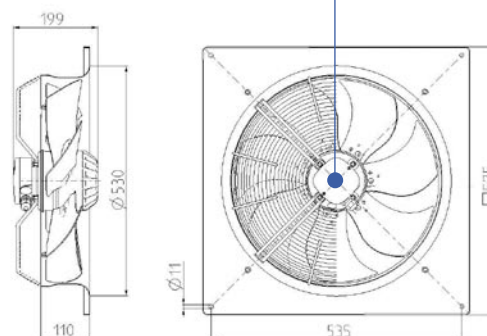
#### Type:

R13P-4530HA-6T2-5060  
 R13P-4530HP-6T2-5060

#### Code:

0313-4-1071

R13\_4530H\_6T2-5060



#### Weight:

15,5 kg

### Fan with guard grill

#### Airflow

#### Direction

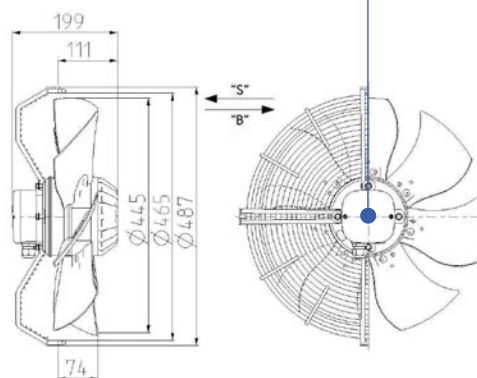
»S«  
 »B«

#### Type:

R13R-4530HA-6T2-5060  
 R13R-4530HP-6T2-5060

#### Code:

0313-4-1072



#### Weight:

10 kg

### Fan without guard grill

#### Airflow

#### Direction

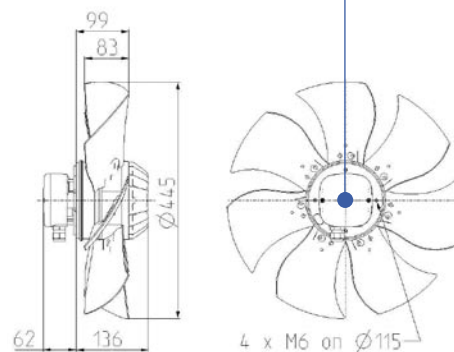
»S«  
 »B«

#### Type:

R13E-4530HA-6T2-5060  
 R13E-4530HP-6T2-5060

#### Code:

0313-4-1062



#### Weight:

8,1 kg

**Fan with wall plate**

**Airflow**

**Direction**

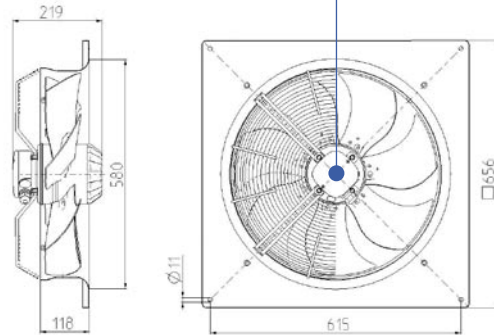
- »S«
- »B«

**Type:**

- R13P-5030HA-4T2-7056
- R13P-5030HP-4T2-7056

**Code:**

0313-4-1028



**Weight:**  
18 kg

R13\_-5030H\_-4T2-7056



**Diameter:** 500 mm

**Fan with guard grill**

**Airflow**

**Direction**

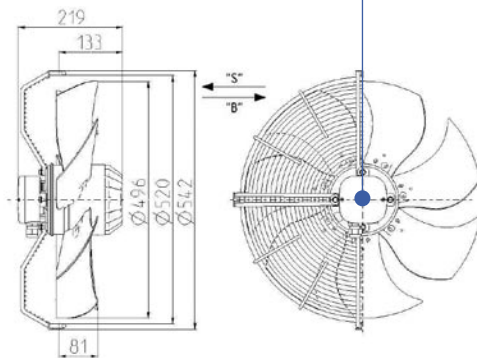
- »S«
- »B«

**Type:**

- R13R-5030HA-4T2-7056
- R13R-5030HP-4T2-7056

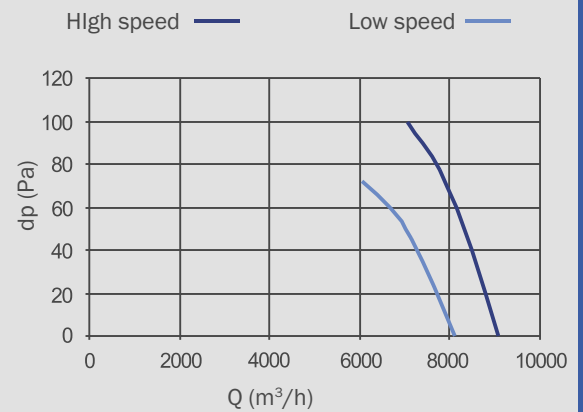
**Code:**

0313-4-1038



**Weight:**  
12,5 kg

**Aerodynamic characteristic:**



**Fan without guard grill**

**Airflow**

**Direction**

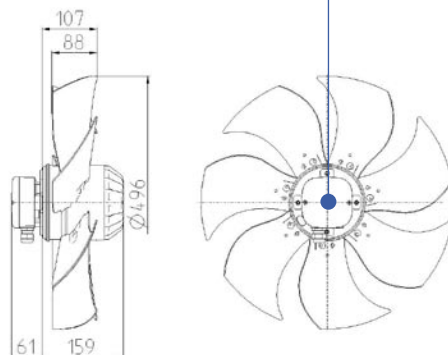
- »S«
- »B«

**Type:**

- R13E-5030HA-4T2-7056
- R13E-5030HP-4T2-7056

**Code:**

0313-4-1062



**Weight:**  
10,1 kg

**Performance Data:**

- 3~400V D/Y 50Hz
- $P_1 = 0,63 / 0,48kW$
- $n = 1415 / 1260min^{-1}$
- $I = 1,75 / 0,85A$
- $t_R = 60^\circ C$
- $L_{wa} = 76 / 72dB(A)$
- Connection: terminal box
- Ins.Cl. F
- IP54

**Notes:**

Fan characteristic measured in full bell mouth with guard grill





**Diameter:** 500 mm

R13\_5030H\_4M-7075

### Fan with wall plate

#### Airflow

#### Direction

»S«

»B«

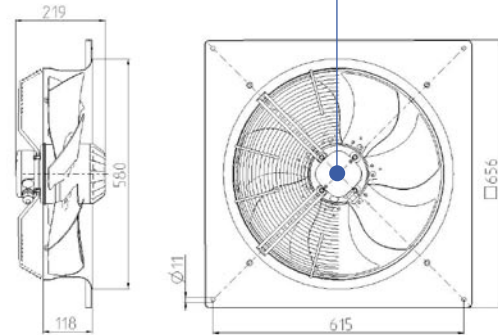
#### Type:

R13P-5030HA-4M-7075

R13P-5030HP-4M-7075

#### Code:

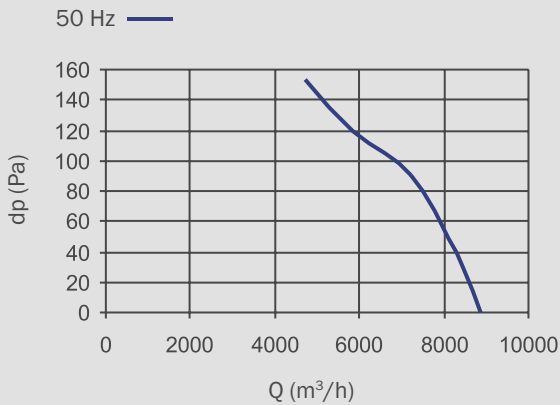
0313-4-1120



#### Weight:

18,6 kg

### Aerodynamic characteristic:



### Performance Data:

1~230V 50Hz

$P_1 = 780W$

$n = 1370\text{min}^{-1}$

$I = 3,5A$

$t_R = 60^\circ C$

$L_{wa} = 76\text{dB(A)}$

$C = 16\mu F / 450V$

Connection: terminal box

Ins.Cl. F

IP54

### Notes:

Fan characteristic measured in full bell mouth with guard grill

### Fan with guard grill

#### Airflow

#### Direction

»S«

»B«

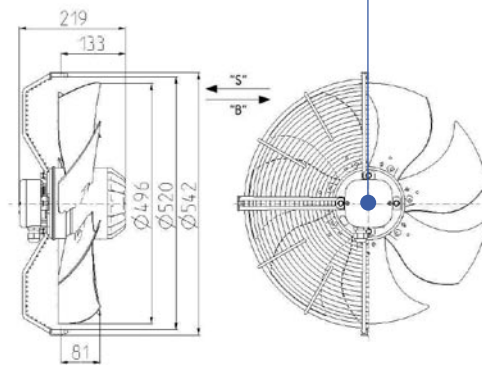
#### Type:

R13R-5030HA-4M-7075

R13R-5030HP-4M-7075

#### Code:

0313-4-1081



#### Weight:

13,1 kg

### Fan without guard grill

#### Airflow

#### Direction

»S«

»B«

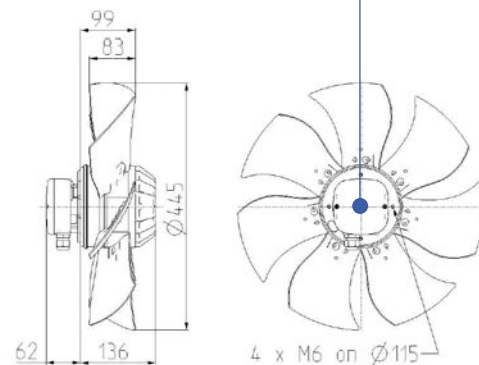
#### Type:

R13E-5030HA-4M-7075

R13E-5030HP-4M-7075

#### Code:

0313-4-1121

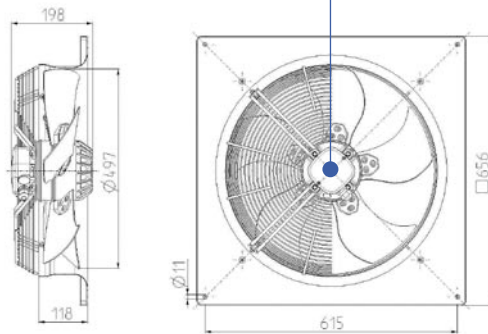


#### Weight:

10,7 kg

**Fan with wall plate****Airflow****Direction**»S«  
»B«**Type:**R13P-5030HA-6M-5072  
R13P-5030HP-6M-5072**Code:**

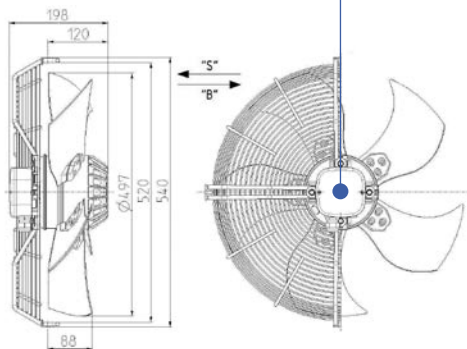
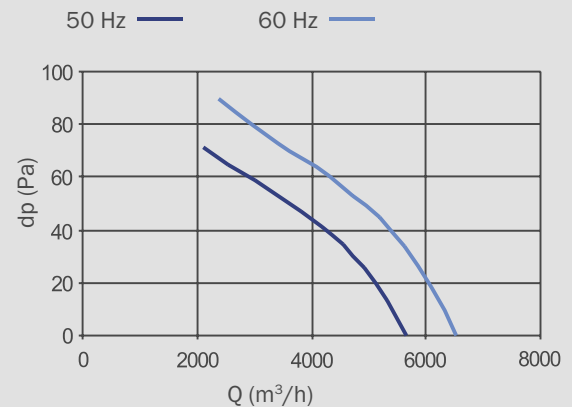
0313-4-1105

**Weight:**  
15,8 kg

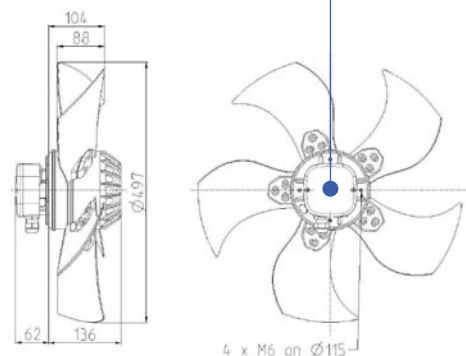
R13\_-5030H\_-6M-5072

**Diameter:** 500 mm**Fan with guard grill****Airflow****Direction**»S«  
»B«**Type:**R13R-5030HA-6M-5072  
R13R-5030HP-6M-5072**Code:**

0313-4-1083

**Weight:**  
10,3 kg**Aerodynamic characteristic:****Fan without guard grill****Airflow****Direction**»S«  
»B«**Type:**R13E-5030HA-6M-5072  
R13E-5030HP-6M-5072**Code:**

0313-4-1104

**Weight:**  
7,9 kg**Performance Data:**

1~230V 50/60Hz

 $P_1 = 245 / 320W$  $n = 900 / 1030min^{-1}$  $I = 1,1 / 1,35A$  $t_R = 60^\circ C$  $L_{wa} = 72 / 76dB(A)$  $C = 8\mu F / 450V$ 

Connection: terminal box

Ins.Cl. F

IP54

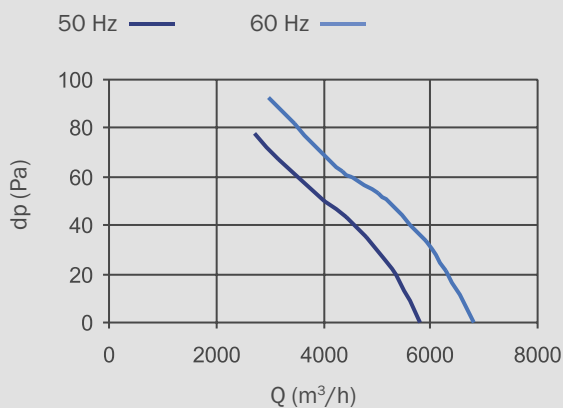
**Notes:**

Fan characteristic measured in full bell mouth with guard grill



**Diameter:** 500 mm

#### Aerodynamic characteristic:



#### Performance Data:

1~230V 50/60Hz  
 $P_1 = 280 / 370W$   
 $n = 890 / 1000min^{-1}$   
 $I = 1,2 / 1,5A$   
 $t_R = 55^\circ C$   
 $Lwa = 75 / 78dB(A)$   
 $C = 8uF / 450V$   
 Connection: terminal box  
 Ins.Cl. F  
 IP54

#### Notes:

Fan characteristic measured in full bell mouth with guard grill

R13\_-5030H\_-6M-5071

#### Fan with wall plate

##### Airflow

##### Direction

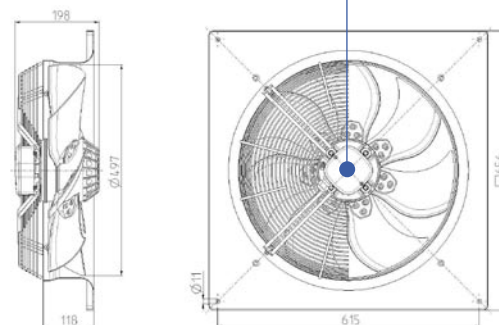
»S«  
 »B«

##### Type:

R13P-5030HA-6M-5071  
 R13P-5030HP-6M-5071

##### Code:

0313-4-1102



##### Weight:

16 kg

#### Fan with guard grill

##### Airflow

##### Direction

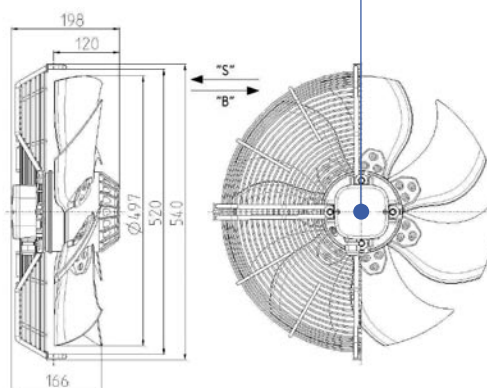
»S«  
 »B«

##### Type:

R13R-5030HA-6M-5071  
 R13R-5030HP-6M-5071

##### Code:

0313-4-1080



##### Weight:

10,5 kg

#### Fan without guard grill

##### Airflow

##### Direction

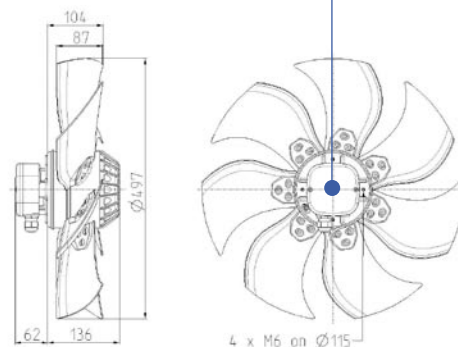
»S«  
 »B«

##### Type:

R13E-5030HA-6M-5071  
 R13E-5030HP-6M-5071

##### Code:

0313-4-1101



##### Weight:

8 kg

**Fan with wall plate****Airflow****Direction**

»S«

»B«

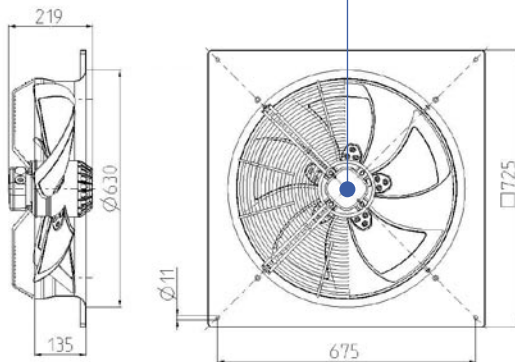
**Type:**

R13P-5630HA-6M-7036

R13P-5630HP-6M-7036

**Code:**

0313-4-1031

**Weight:**

21 kg

R13\_-5630H\_-6M-7036

**Diameter:** 560 mm**Fan with guard grill****Airflow****Direction**

»S«

»B«

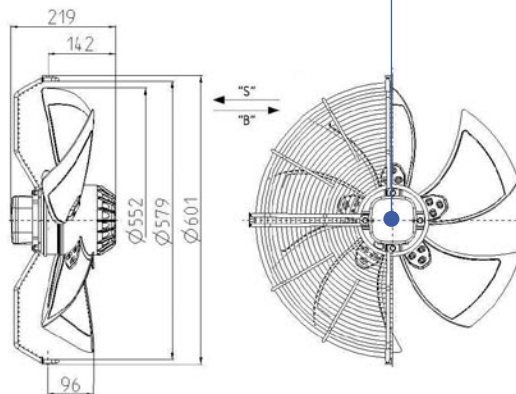
**Type:**

R13R-5630HA-6M-7036

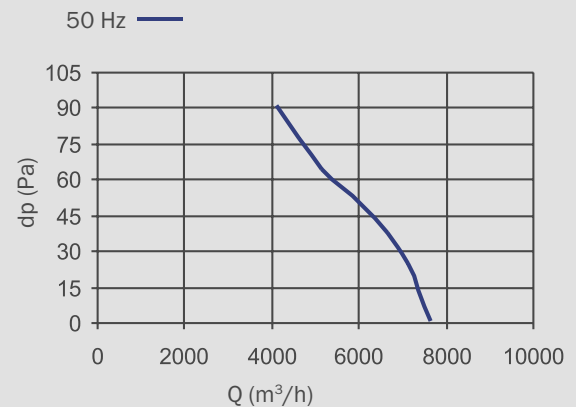
R13R-5630HP-6M-7036

**Code:**

0313-4-1007

**Weight:**

13,3 kg

**Aerodynamic characteristic:****Fan without guard grill****Airflow****Direction**

»S«

»B«

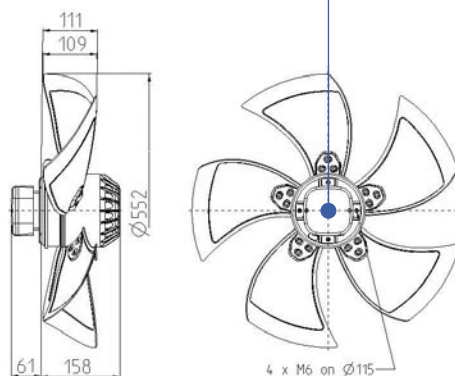
**Type:**

R13E-5630HA-6M-7036

R13E-5630HP-6M-7036

**Code:**

0313-4-1066

**Weight:**

10,5 kg

**Performance Data:**

1~230V 50Hz

 $P_1 = 420W$  $n = 865min^{-1}$  $I = 1,9A$  $t_R = 55^\circ C$  $L_{wa} = 76dB(A)$  $C = 12.5\mu F / 450V$ 

Connection: terminal box

Ins.Cl. F

IP54

**Notes:**

Fan characteristic measured in full bell mouth with guard grill



**Diameter:** 560 mm

R13\_5630H\_6T2-7008

### Fan with wall plate

#### Airflow

#### Direction

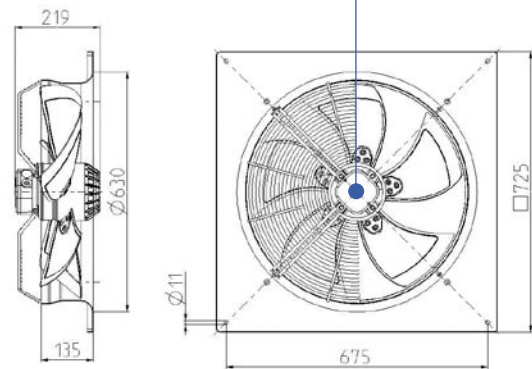
- »S«
- »B«

#### Type:

R13P-5630HA-6T2-7008  
R13P-5630HP-6T2-7008

#### Code:

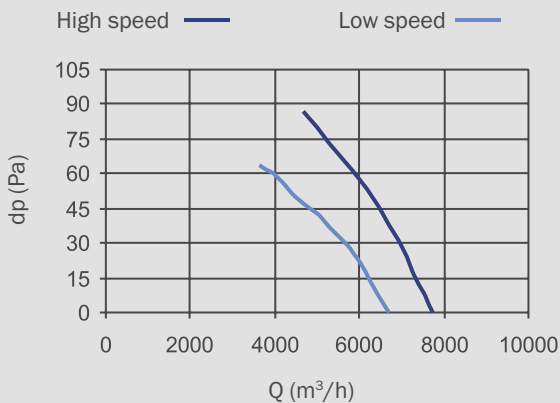
0313-4-1015



#### Weight:

21 kg

### Aerodynamic characteristic:



### Performance Data:

3~400V D/Y 50Hz

$P_1 = 0,38 / 0,25$  kW

$n = 910 / 760$  min<sup>-1</sup>

$I = 0,85 / 0,44$  A

$t_R = 70$  °C

Lwa = 76 / 71 dB(A)

Connection: terminal box

Ins.Cl. F

IP54

### Notes:

Fan characteristic measured in full bell mouth with guard grill

### Fan with guard grill

#### Airflow

#### Direction

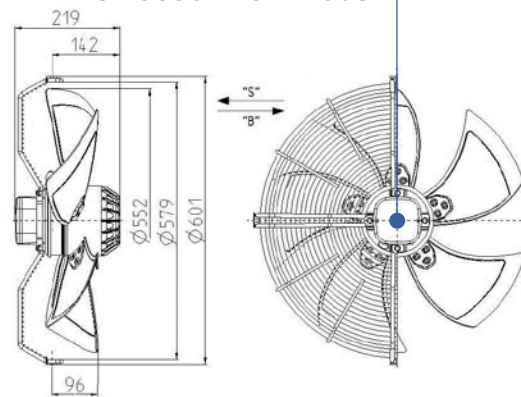
- »S«
- »B«

#### Type:

R13R-5630HA-6T2-7008  
R13R-5630HP-6T2-7008

#### Code:

0313-4-1011



#### Weight:

13,3 kg

### Fan without guard grill

#### Airflow

#### Direction

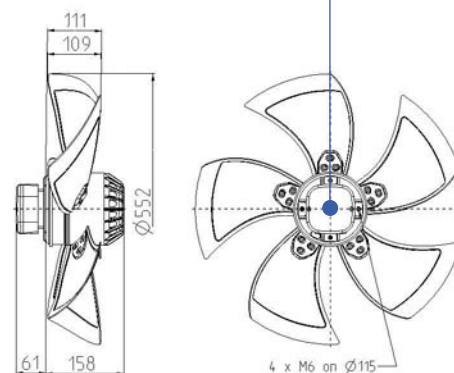
- »S«
- »B«

#### Type:

R13E-5630HA-6T2-7008  
R13E-5630HP-6T2-7008

#### Code:

0313-4-1045



#### Weight:

10,5 kg

**Fan with wall plate****Airflow****Direction**

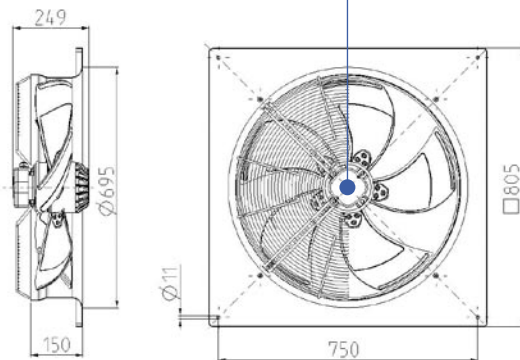
»S«  
»B«

**Type:**

R13P-6330HA-6M-X055  
R13P-6330HP-6M-X055

**Code:**

0313-4-1060

**Weight:**

21 kg

R13\_-6330H\_-6M-X055

**Diameter:** 630 mm**Fan with guard grill****Airflow****Direction**

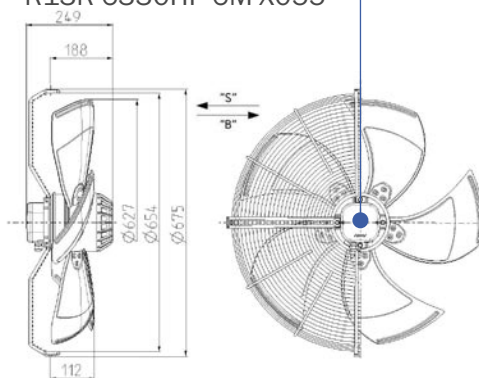
»S«  
»B«

**Type:**

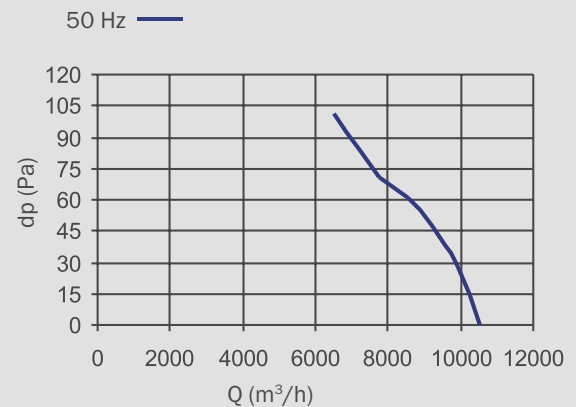
R13R-6330HA-6M-X055  
R13R-6330HP-6M-X055

**Code:**

0313-4-1005

**Weight:**

13,3 kg

**Aerodynamic characteristic:****Fan without guard grill****Airflow****Direction**

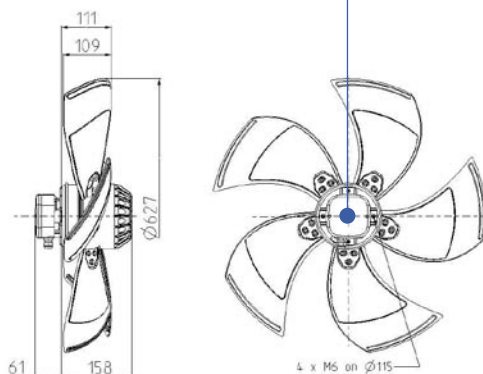
»S«  
»B«

**Type:**

R13E-6330HA-6M-X055  
R13E-6330HP-6M-X055

**Code:**

0313-4-1061

**Weight:**

10,5 kg

**Performance Data:**

1~230V 50Hz

 $P_1 = 680W$  $n = 890\text{min}^{-1}$  $I = 3,1A$  $t_R = 50^\circ C$ 

Lwa = 77 dB(A)

C = 18uF / 450V

Connection: terminal box

Ins.Cl. F

IP54

**Notes:**

Fan characteristic measured in full bell mouth with guard grill



**Diameter:** 630 mm

R13\_-6330H\_-6T2-7042

### Fan with wall plate

#### Airflow

#### Direction

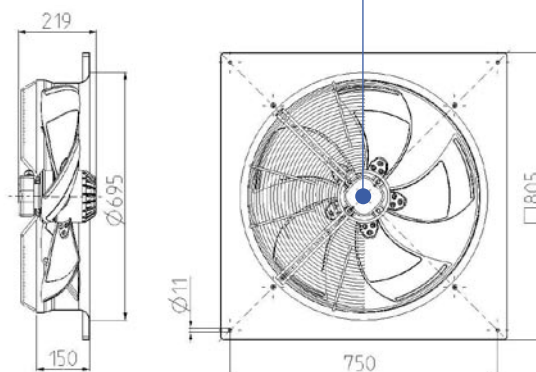
»S«  
»B«

#### Type:

R13P-6330HA-6T2-7042  
R13P-6330HP-6T2-7042

#### Code:

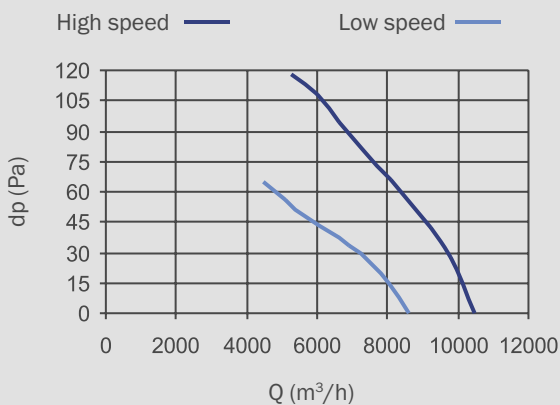
0313-4-1013



#### Weight:

23,3 kg

### Aerodynamic characteristic:



### Performance Data:

3~400V D/Y 50Hz  
 $P_1 = 0,60 / 0,38\text{kW}$   
 $n = 870 / 640\text{min}^{-1}$   
 $I = 1,25 / 0,65\text{A}$   
 $t_R = 65^\circ\text{C}$   
 $L_{wa} = 76,5 / 73\text{dB(A)}$   
 Connection: terminal box  
 Ins.Cl. F  
 IP54

### Notes:

Fan characteristic measured in full bell mouth with guard grill

### Fan with guard grill

#### Airflow

#### Direction

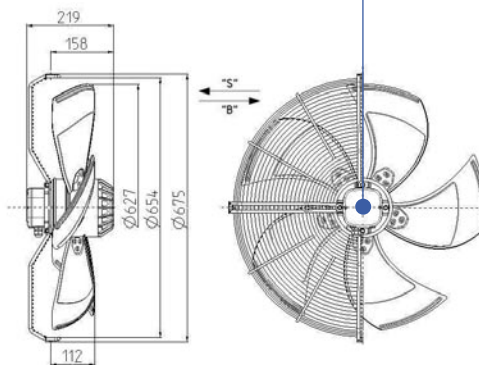
»S«  
»B«

#### Type:

R13R-6330HA-6T2-7042  
R13R-6330HP-6T2-7042

#### Code:

0313-4-1000



#### Weight:

14,5 kg

### Fan without guard grill

#### Airflow

#### Direction

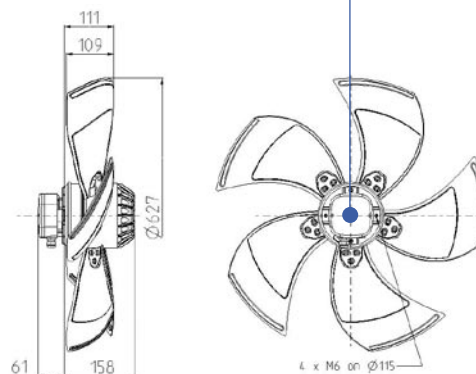
»S«  
»B«

#### Type:

R13E-6330HA-6T2-7042  
R13E-6330HP-6T2-7042

#### Code:

0313-4-1042



#### Weight:

10,8 kg

**Fan with wall plate**

**Airflow**

**Direction**

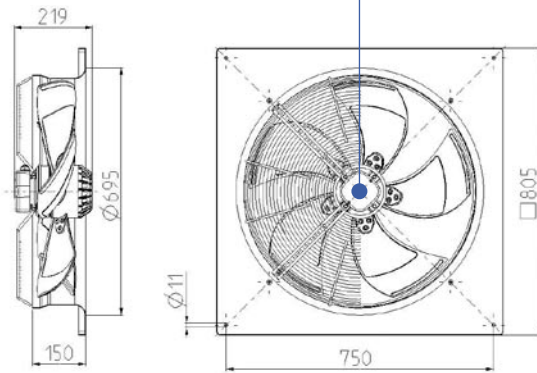
- »S«
- »B«

**Type:**

- R13P-6330HA-8T2-7038
- R13P-6330HP-8T2-7038

**Code:**

0313-4-1030



**Weight:**  
23,3 kg

R13\_-6330H\_-8T2-7038



**Diameter:** 630 mm

**Fan with guard grill**

**Airflow**

**Direction**

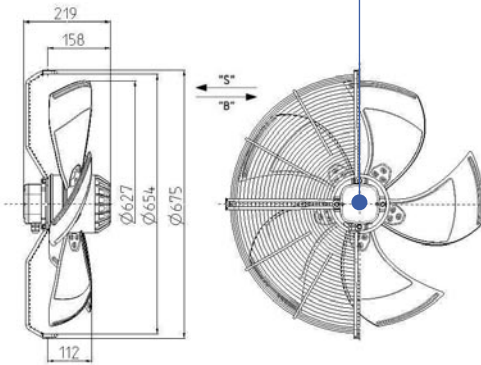
- »S«
- »B«

**Type:**

- R13R-6330HA-8T2-7038
- R13R-6330HP-8T2-7038

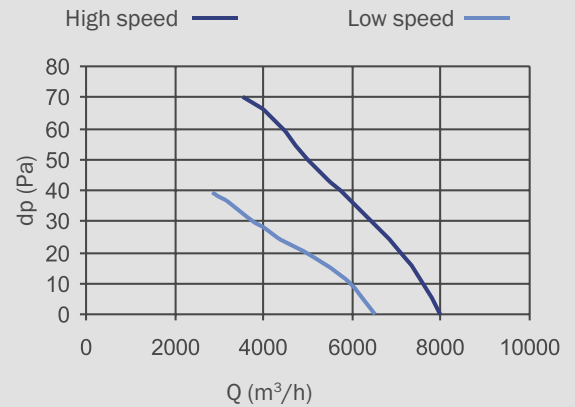
**Code:**

0313-4-1023



**Weight:**  
14,5 kg

**Aerodynamic characteristic:**



**Fan without guard grill**

**Airflow**

**Direction**

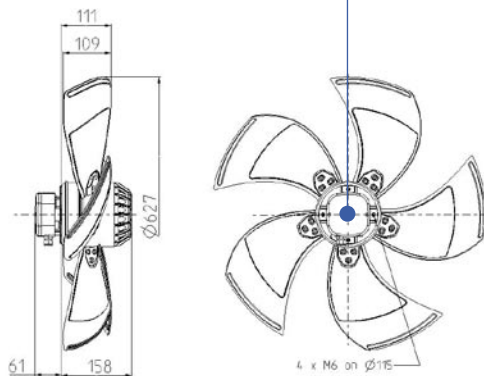
- »S«
- »B«

**Type:**

- R13E-6330HA-8T2-7038
- R13E-6330HP-8T2-7038

**Code:**

0313-4-1043



**Weight:**  
10,8 kg

**Performance Data:**

- 3~400V D/Y 50Hz
- $P_1 = 0,28 / 0,175kW$
- $n = 650 / 510min^{-1}$
- $I = 0,68 / 0,30A$
- $t_R = 70^\circ C$
- $Lwa = 70,5 / 66dB(A)$
- Connection: terminal box
- Ins.Cl. F
- IP54

**Notes:**

Fan characteristic measured in full bell mouth with guard grill





**Diameter:** 630 mm

R13\_6330H\_-12T2-7051

### Fan with wall plate

#### Airflow

#### Direction

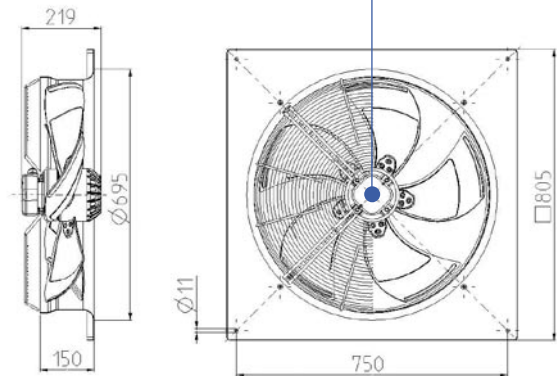
- »S«
- »B«

#### Type:

R13P-6330HA-12T2-7051  
R13P-6330HP-12T2-7051

#### Code:

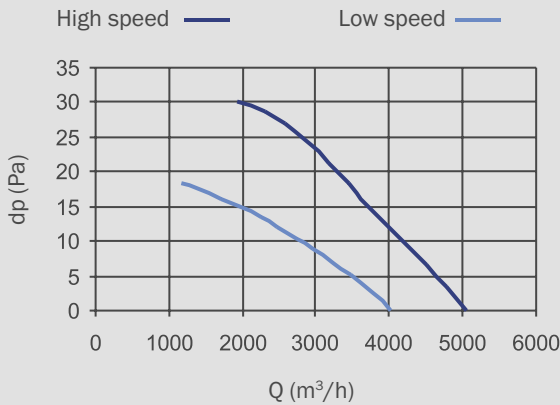
0313-4-1037



#### Weight:

23,3 kg

### Aerodynamic characteristic:



### Performance Data:

3~400V D/Y 50Hz

$P_1 = 112 / 58W$

$n = 430 / 330\text{min}^{-1}$

$I = 0,33 / 0,13A$

$t_R = 70^\circ\text{C}$

$L_{wa} = 63 / 53\text{dB(A)}$

Connection: terminal box

Ins.Cl. F

IP54

### Notes:

Fan characteristic measured in full bell mouth with guard grill

### Fan with guard grill

#### Airflow

#### Direction

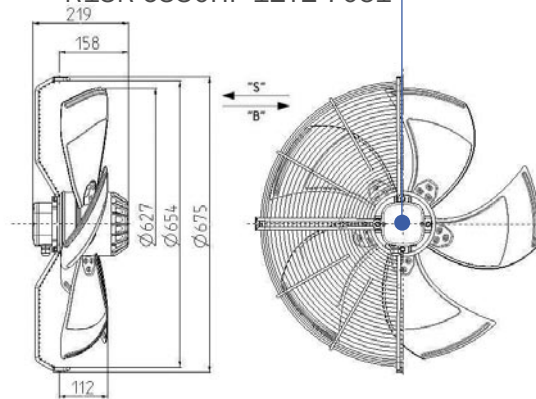
- »S«
- »B«

#### Type:

R13R-6330HA-12T2-7051  
R13R-6330HP-12T2-7051

#### Code:

0313-4-1041



#### Weight:

14,5 kg

### Fan without guard grill

#### Airflow

#### Direction

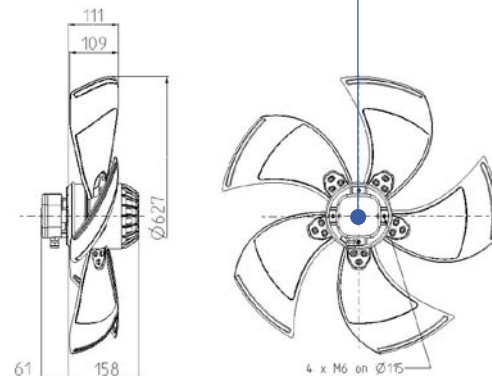
- »S«
- »B«

#### Type:

R13E-6330HA-12T2-7051  
R13E-6330HP-12T2-7051

#### Code:

0313-4-1044



#### Weight:

10,8 kg

**Fan with wall plate****Airflow****Direction**

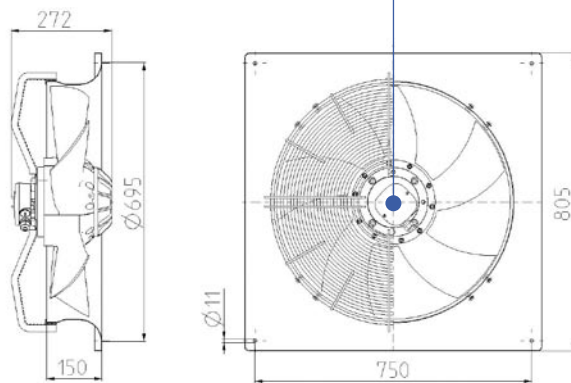
»S«

**Type:**

R18P-6330HA-4T2-X003

**Code:**

0318-4-0020

**Weight:**

39 kg

R18\_-6330H\_-4T2-X003

**Diameter:** 630 mm**Fan with guard grill****Airflow****Direction**

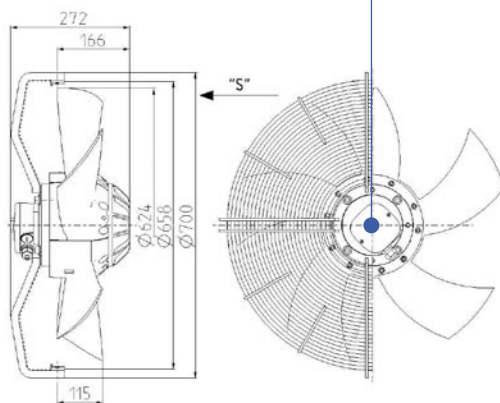
»S«

**Type:**

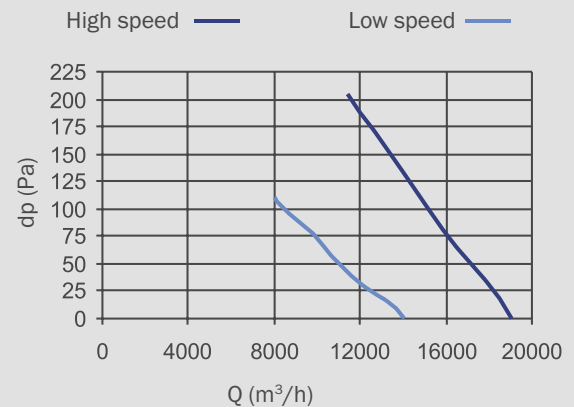
R18R-6330HA-4T2-X003

**Code:**

0318-4-0014

**Weight:**

30,5 kg

**Aerodynamic characteristic:****Fan without guard grill****Airflow****Direction**

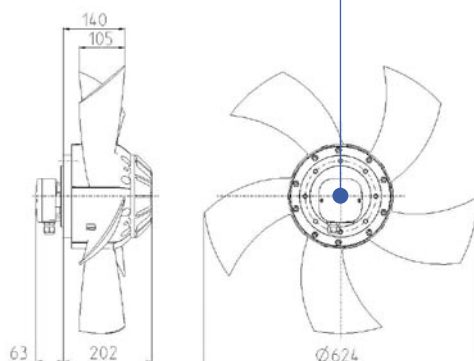
»S«

**Type:**

R18E-6330HA-4T2-X003

**Code:**

0318-4-0010

**Weight:**

26 kg

**Performance Data:**

3~400V D/Y 50Hz

 $P_1 = 2,35 / 1,37\text{kW}$  $n = 1360 / 1000\text{min}^{-1}$  $I = 4,65 / 2,75\text{A}$  $t_R = 55^\circ\text{C}$  $L_{wa} = 89 / 83\text{dB(A)}$ 

Connection: terminal box

Ins.Cl. F

IP54

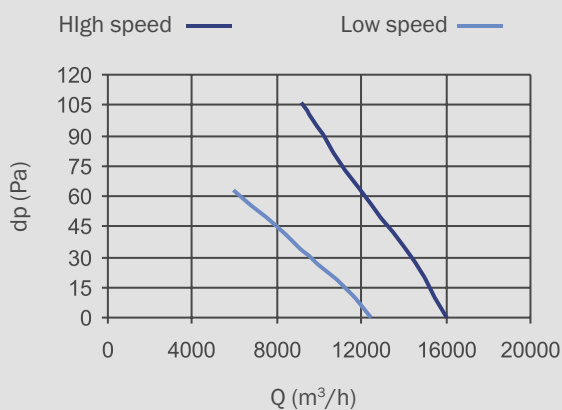
**Notes:**

Fan characteristic measured in full bell mouth with guard grill



**Diameter:** 710 mm

### Aerodynamic characteristic:



### Performance Data:

3~400V D/Y 50Hz  
 $P_1 = 0,99 / 0,65\text{kW}$   
 $n = 870 / 620\text{min}^{-1}$   
 $I = 1,9 / 1,2\text{A}$   
 $t_R = 60^\circ\text{C}$   
 $L_{wa} = 78 / 74\text{dB(A)}$   
 Connection: terminal box  
 Ins.Cl. F  
 IP54

### Notes:

Fan characteristic measured in full bell mouth with guard grill

R18\_-7130H\_-6T2-7502

### Fan with wall plate

#### Airflow

#### Direction

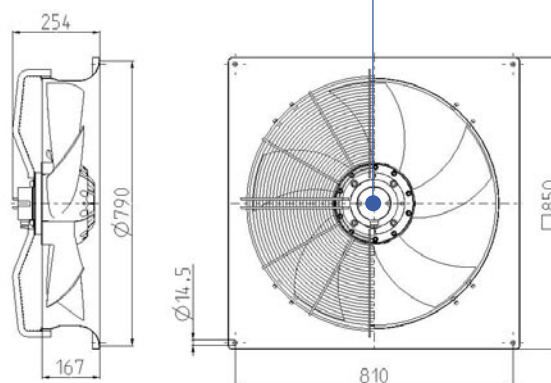
»S«

#### Type:

R18P-7130HA-6T2-7502

#### Code:

0318-4-0003



#### Weight:

34,9 kg

### Fan with guard grill

#### Airflow

#### Direction

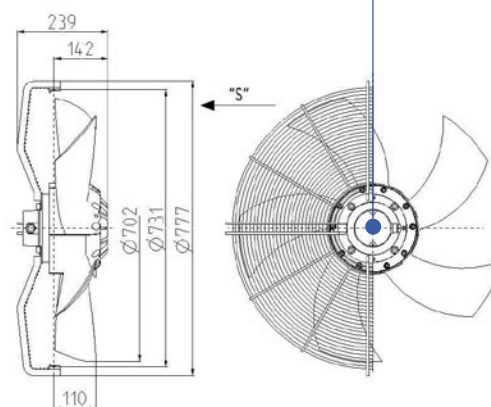
»S«

#### Type:

R18R-7130HA-6T2-7502

#### Code:

0318-4-0007



#### Weight:

27,2 kg

### Fan without guard grill

#### Airflow

#### Direction

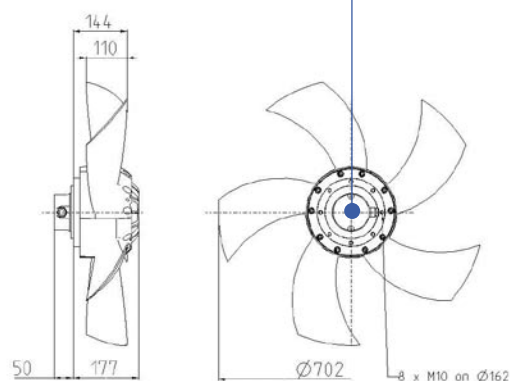
»S«

#### Type:

R18E-7130HA-6T2-7502

#### Code:

0318-4-0016



#### Weight:

22 kg

**Fan with wall plate**

**Airflow**

**Direction**

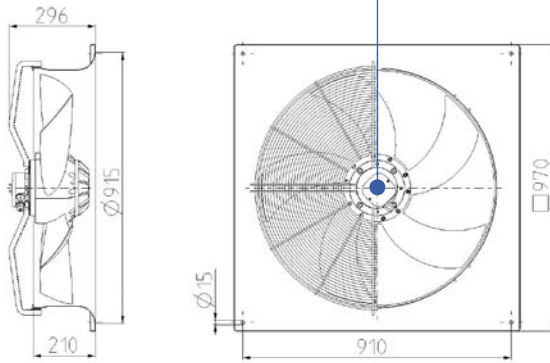
»S«

**Type:**

R18P-8030HA-6T2-X004

**Code:**

0318-4-0028



**Weight:**  
45,7 kg

R18\_-8030H\_-6T2-X004



**Diameter:** 800 mm

**Fan with guard grill**

**Airflow**

**Direction**

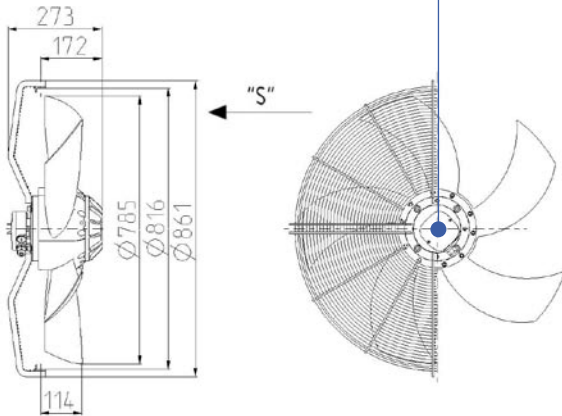
»S«

**Type:**

R18R-8030HA-6T2-X004

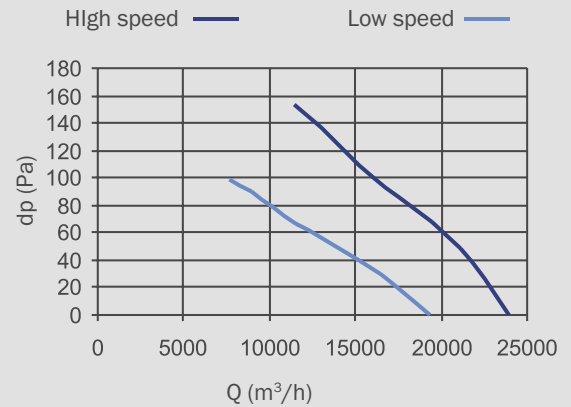
**Code:**

0318-4-0026



**Weight:**  
32,8 kg

**Aerodynamic characteristic:**



**Fan without guard grill**

**Airflow**

**Direction**

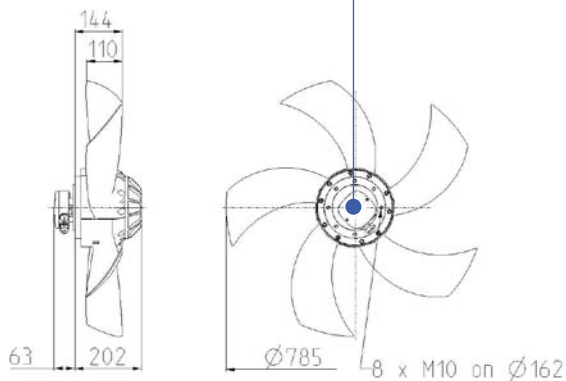
»S«

**Type:**

R18E-8030HA-6T2-X004

**Code:**

0318-4-0029



**Weight:**  
27 kg

**Performance Data:**

3~400V D/Y 50Hz  
 $P_1 = 1,56 / 1,05\text{kW}$   
 $n = 900 / 700\text{min}^{-1}$   
 $I = 3,5 / 2,0\text{A}$   
 $t_R = 60^\circ\text{C}$   
 $L_{wa} = 82 / 77\text{dB(A)}$   
 Connection: terminal box  
 Ins.Cl. F  
 IP54

**Notes:**

Fan characteristic measured in full bell mouth with guard grill



Diameter: 800 mm

R18\_-8030H\_-6T2-X001

**Fan with wall plate**

**Airflow**

**Direction**

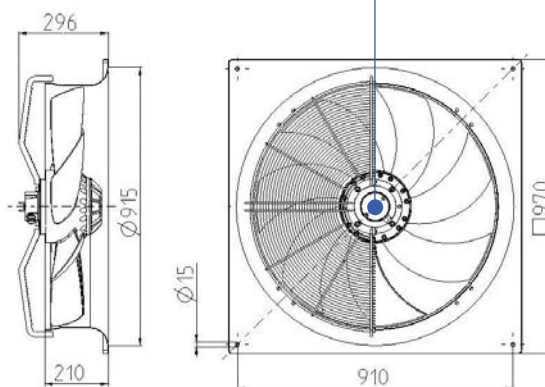
»S«

**Type:**

R18P-8030HA-6T2-X001

**Code:**

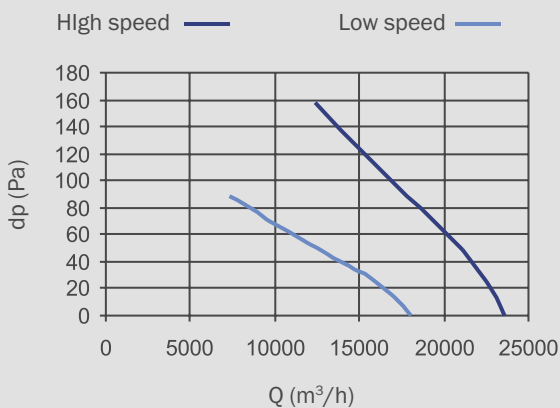
0318-4-0001



**Weight:**

47,7 kg

**Aerodynamic characteristic:**



**Performance Data:**

3~400V D/Y 50Hz

P<sub>1</sub> = 2,0 / 1,05kW

n = 890 / 630min<sup>-1</sup>

I = 4,0 / 2,3A

t<sub>R</sub> = 50 °C

Lwa = 81 / 75dB(A)

Connection: terminal box

Ins.Cl. F

IP54

**Notes:**

Fan characteristic measured in full bell mouth with guard grill

**Fan with guard grill**

**Airflow**

**Direction**

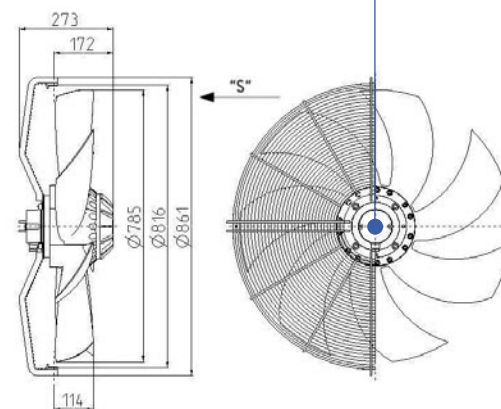
»S«

**Type:**

R18R-8030HA-6T2-X001

**Code:**

0318-4-0005



**Weight:**

34,8 kg

**Fan without guard grill**

**Airflow**

**Direction**

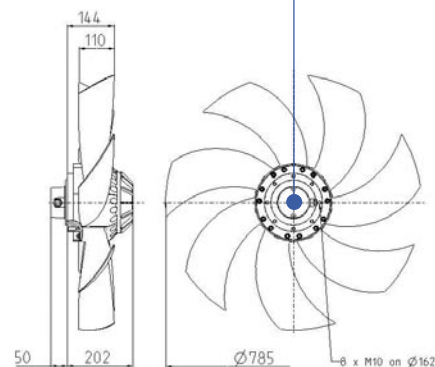
»S«

**Type:**

R18E-8030HA-6T2-X001

**Code:**

0318-4-0009



**Weight:**

29 kg

**Fan with wall plate****Airflow****Direction**

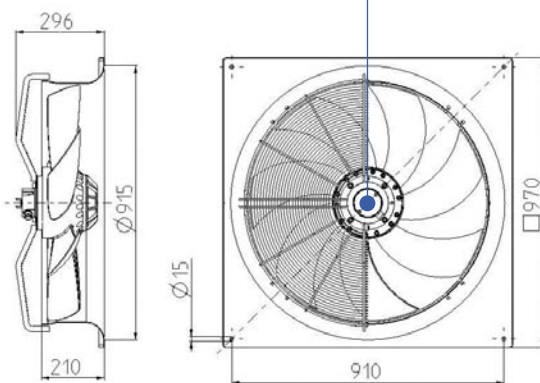
»S«

**Type:**

R18P-8030HA-8T2-X000

**Code:**

0318-4-0000

**Weight:**

47,7 kg

R18\_-8030H\_-8T2-X000

**Diameter:** 800 mm**Fan with guard grill****Airflow****Direction**

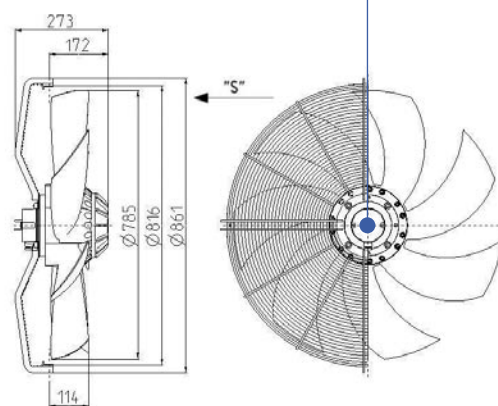
»S«

**Type:**

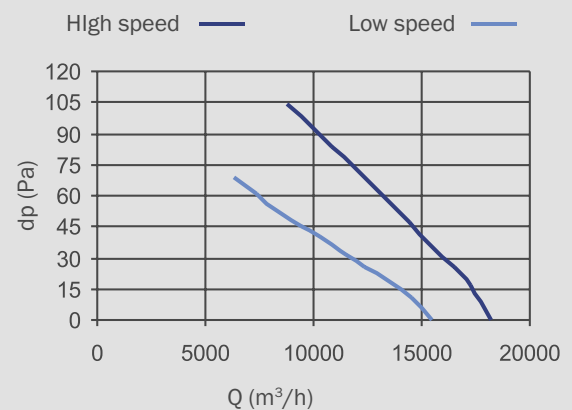
R18R-8030HA-8T2-X000

**Code:**

0318-4-0004

**Weight:**

34,8 kg

**Aerodynamic characteristic:****Fan without guard grill****Airflow****Direction**

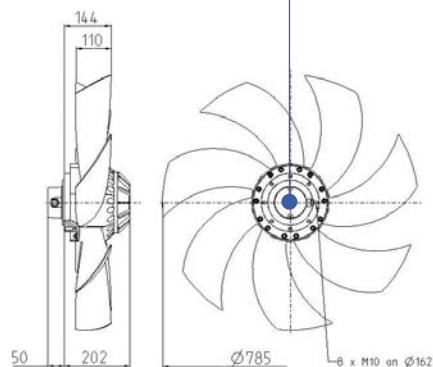
»S«

**Type:**

R18E-8030HA-8T2-X000

**Code:**

0318-4-0008

**Weight:**

29 kg

**Performance Data:**

3~400V D/Y 50Hz

 $P_1 = 0,92 / 0,60\text{kW}$  $n = 680 / 560\text{min}^{-1}$  $I = 2,3 / 1,15\text{A}$  $t_R = 60^\circ\text{C}$  $L_{wa} = 77 / 69,5\text{dB(A)}$ 

Connection: terminal box

Ins.Cl. F

IP54

**Notes:**

Fan characteristic measured in full bell mouth with guard grill



Diameter: 800 mm

R18\_8030H\_-12T2-7505

**Fan with wall plate**

**Airflow**

**Direction**

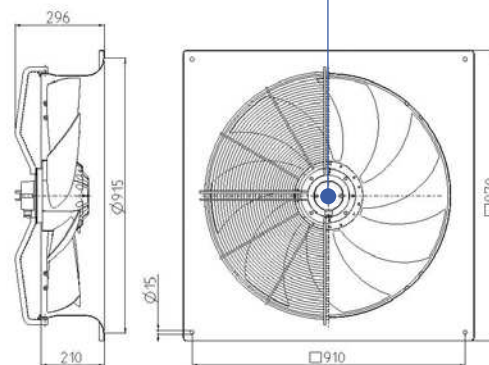
»S«

**Type:**

R18P-8030HA-12T2-7505

**Code:**

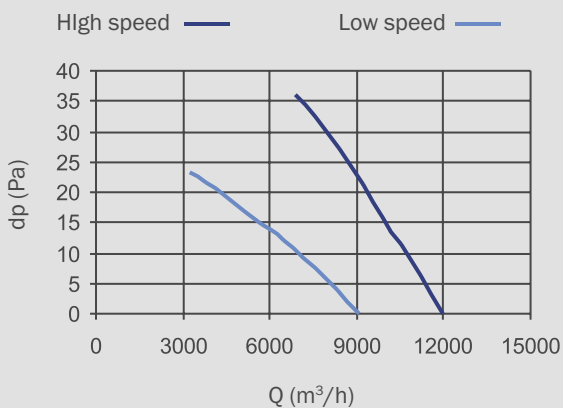
0318-4-0032



**Weight:**

47,7 kg

**Aerodynamic characteristic:**



**Performance Data:**

3~400V D/Y 50Hz

$P_1 = 370 / 170W$

$n = 450 / 320min^{-1}$

$I = 1,2 / 0,5A$

$t_R = 70^{\circ}C$

$Lwa = 66 / 58dB(A)$

Connection: terminal box

Ins.Cl. F

IP54

**Notes:**

Fan characteristic measured in full bell mouth with guard grill

**Fan with guard grill**

**Airflow**

**Direction**

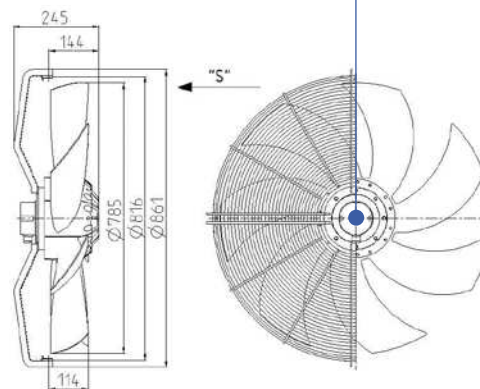
»S«

**Type:**

R18R-8030HA-12T2-7505

**Code:**

0318-4-0017



**Weight:**

34,8 kg

**Fan without guard grill**

**Airflow**

**Direction**

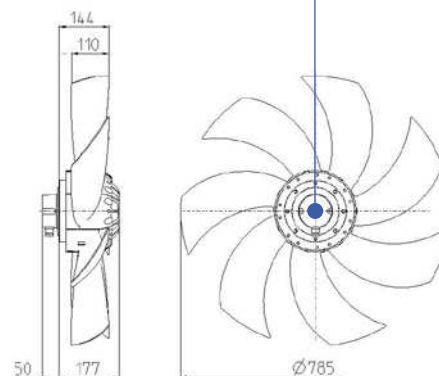
»S«

**Type:**

R18E-8030HA-12T2-7505

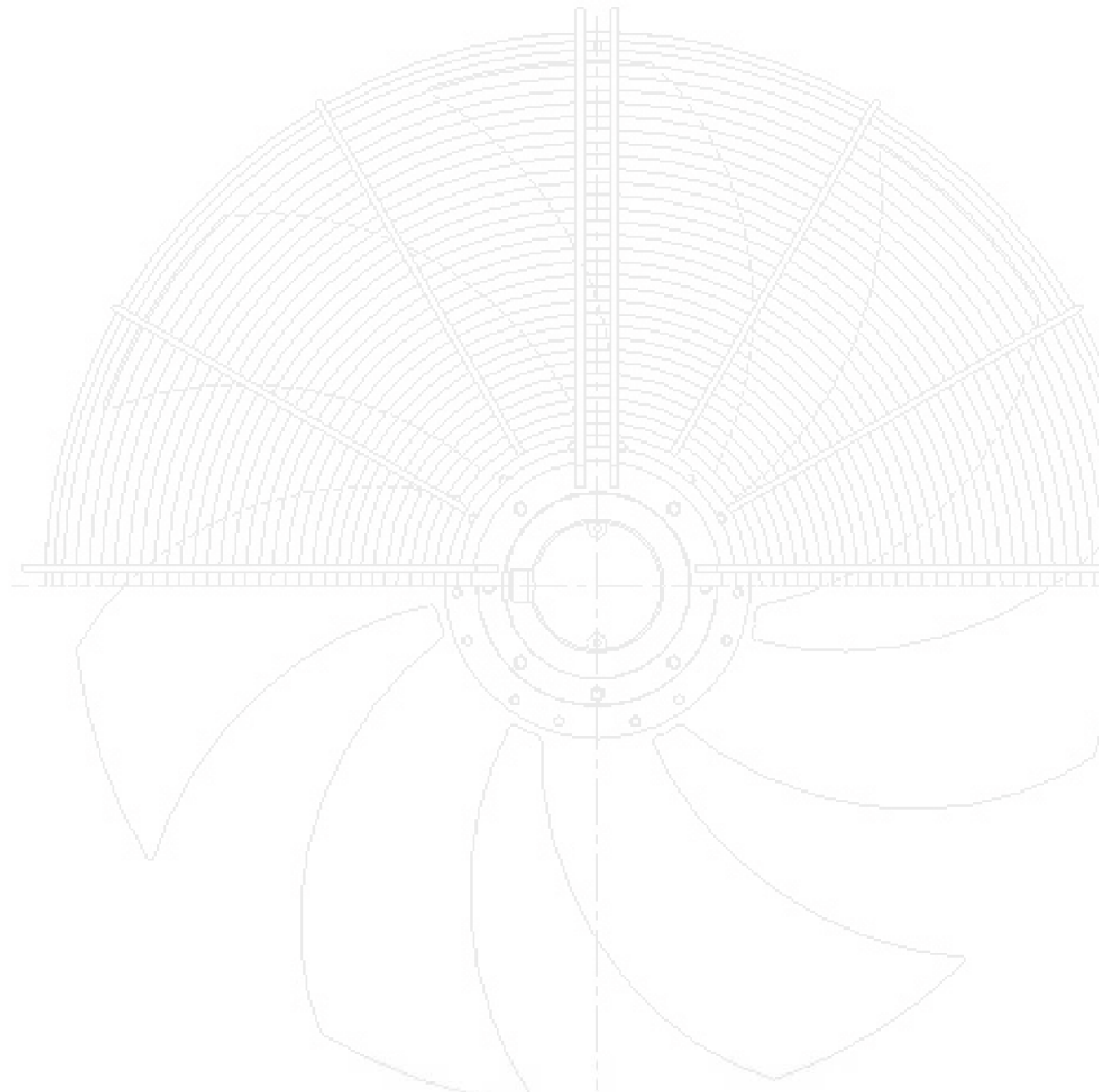
**Code:**

0318-4-0033



**Weight:**

29 kg

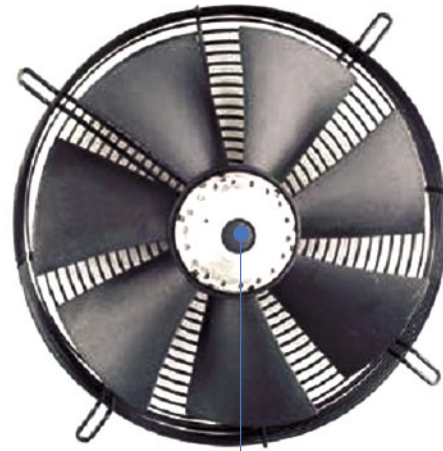




### **Example of type key for Axial fans with plastic blades**

#### **R11R-40LPS-4M2-3806**

- R11** External rotor motor type (R09, R11, R13, R18)
- R** Accessory type (E-without guard grill, R-with guard grill, P-with guard grill and wall plate)
- 40** Fan diameter x 10 (exact diameters are stated in drawings)
- LP** Type of plastic blades (LP, EP, KP)
- S** Airflow direction (S/A - sucking, B/P - blowing)
- 4** Number of poles
- M** Number of phases (M-single phase, T-three phase)
- 2** Number of speeds
- 38** Motor stack height
- 06** Electrical design

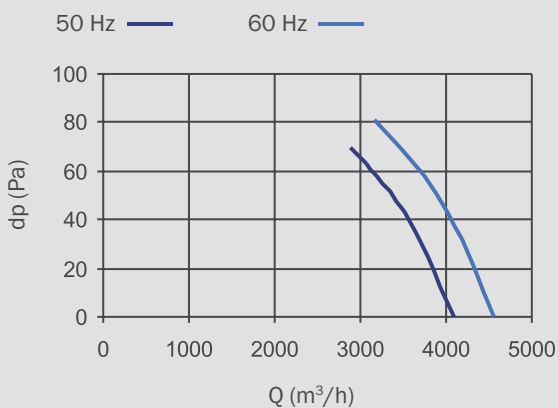


**Axial Fans With Plastic Blades**



**Diameter:** 400 mm

**Aerodynamic characteristic:**



**Performance Data:**

1~230V 50/60Hz  
 P1 = 190/260W  
 n = 1310/1450min<sup>-1</sup>  
 I = 0,85/1,10A  
 t<sub>R</sub> = 60 °C  
 Lwa = 73/76dB(A)  
 C = 6,3uF / 450V  
 Connection: terminal box  
 Ins.Cl. F  
 IP44

**Notes:**

Fan characteristic measured in short bell mouth with guard grill

R11\_-40LP\_-4M-5150

**Fan with wall plate**

**Airflow**

**Direction**

»S«

»B«

**Type:**

R11P-40LPS-4M-5150

R11P-40LPB-4M-5150

Available on request

**Fan with guard grill**

**Airflow**

**Direction**

»S«

»B«

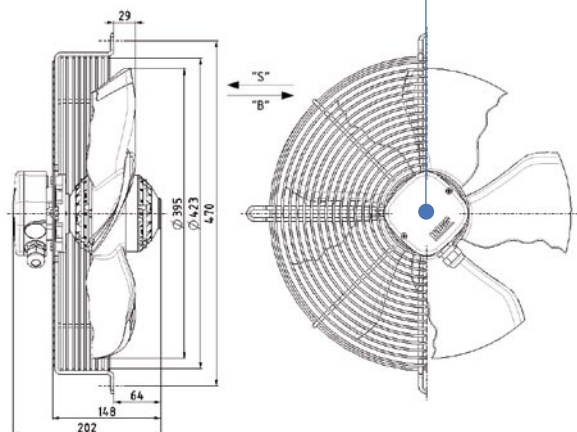
**Type:**

R11R-40LPS-4M-5150

R11R-40LPB-4M-5150

**Code:**

0311-4-0313



**Weight:**  
6 kg

**Fan without guard grill**

**Airflow**

**Direction**

»S«

»B«

**Type:**

R11E-40LPS-4M-5150

R11E-40LPB-4M-5150

Available on request

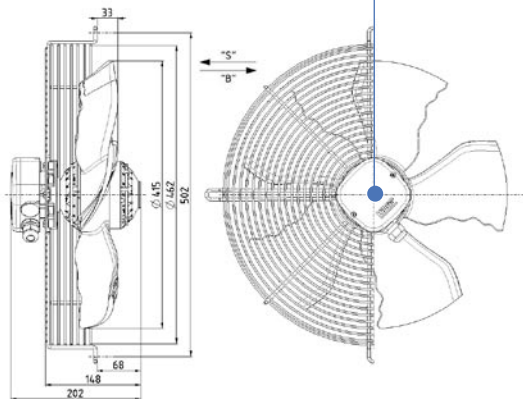
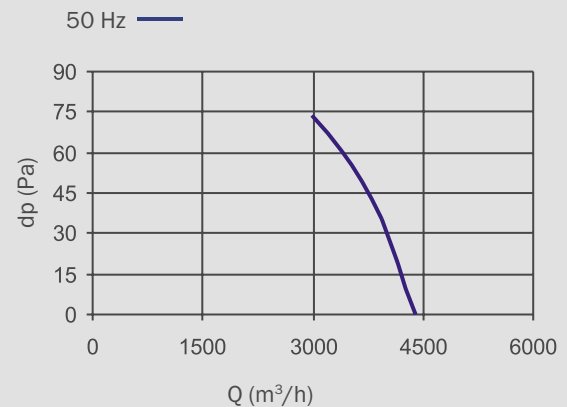
**Fan with wall plate****Airflow****Direction**»S«  
»B«**Type:**R11P-42LPS-4M-5150  
R11P-42LPB-4M-5150

Available on request

R11\_-42LP\_-4M-5150

**Diameter:** 420 mm**Fan with guard grill****Airflow****Direction**»S«  
»B«**Type:**R11R-42LPS-4M-5150  
R11R-42LPB-4M-5150**Code:**

0311-4-0312

**Weight:**  
6,1 kg**Aerodynamic characteristic:****Fan without guard grill****Airflow****Direction**»S«  
»B«**Type:**R11E-42LPS-4M-5150  
R11E-42LPB-4M-5150

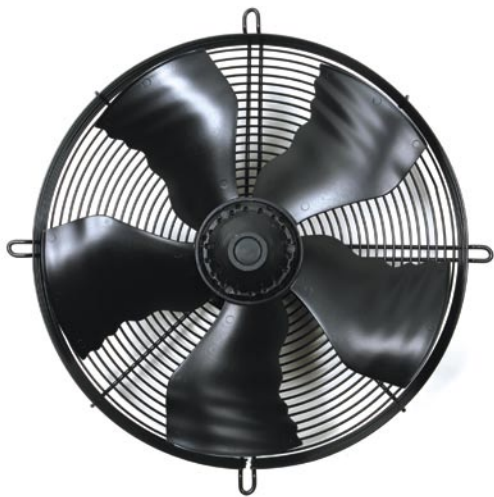
Available on request

**Performance Data:**

1~230V 50Hz  
 P1 = 220W  
 n = 1280min<sup>-1</sup>  
 I = 1,0A  
 t<sub>R</sub> = 60 °C  
 Lwa = 76dB(A)  
 C = 6,3uF / 450V  
 Connection: terminal box  
 Ins.Cl. F  
 IP44

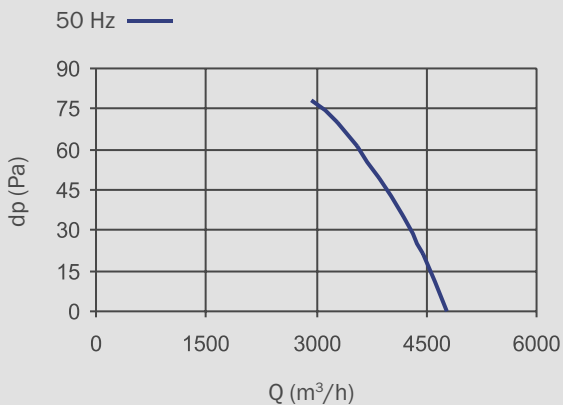
**Notes:**

Fan characteristic measured in short bell mouth with guard grill



**Diameter:** 450 mm

**Aerodynamic characteristic:**



**Performance Data:**

1~230V 50Hz

$P_1 = 240W$

$n = 1230\text{min}^{-1}$

$I = 1,1A$

$t_R = 50^\circ C$

$L_{wa} = 78\text{dB}(A)$

$C = 6,3\mu F / 450V$

Connection: terminal box

Ins.Cl. F

IP44

**Notes:**

Fan characteristic measured in short bell mouth with guard grill

R11\_45LP\_4M-5150

**Fan with wall plate**

**Airflow**

**Direction Type:**

»S«

R11P-45LPS-4M-5150

»B«

R11P-45LPB-4M-5150

Available on request

**Fan with guard grill**

**Airflow**

**Direction Type:**

»S«

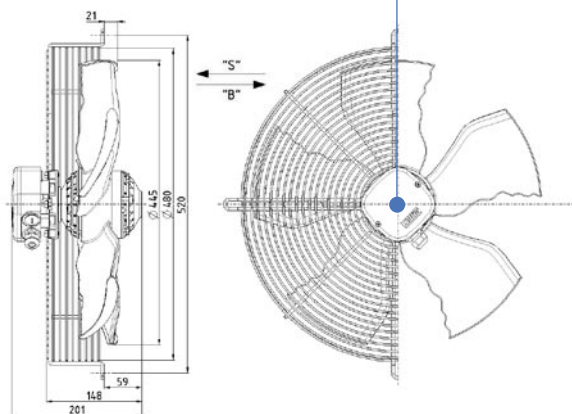
R11R-45LPS-4M-5150

»B«

R11R-45LPB-4M-5150

**Code:**

0313-4-0314



**Weight:**

6,4 kg

**Fan without guard grill**

**Airflow**

**Direction Type:**

»S«

R11E-45LPS-4M-5150

»B«

R11E-45LPB-4M-5150

Available on request

**Fan with wall plate****Airflow****Direction****Type:**

»S«

R11P-45LPS-6M-5105

»B«

R11P-45LPB-6M-5105

Available on request

R11\_-45LP\_-6M-5105

**Diameter:** 450 mm**Fan with guard grill****Airflow****Direction****Type:**

»S«

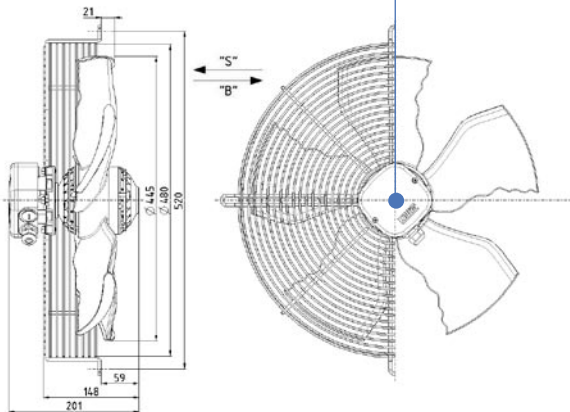
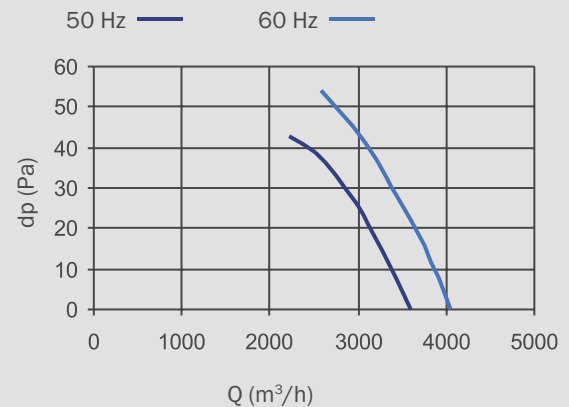
R11R-45LPS-6M-5105

»B«

R11R-45LPB-6M-5105

**Code:**

0311-4-0300

**Weight:**  
6,4 kg**Aerodynamic characteristic:****Fan without guard grill****Airflow****Direction****Type:**

»S«

R11E-45LPS-6M-5105

»B«

R11E-45LPB-6M-5105

Available on request

**Performance Data:**

1~230V 50/60Hz

 $P_1 = 125/165W$  $n = 900/1020\text{min}^{-1}$  $I = 0,55/0,70A$  $t_R = 50^\circ C$  $L_{wa} = 67 / 70 \text{ dB(A)}$  $C = 5\mu F / 450V$ 

Connection: terminal box

Ins.Cl. F

IP44

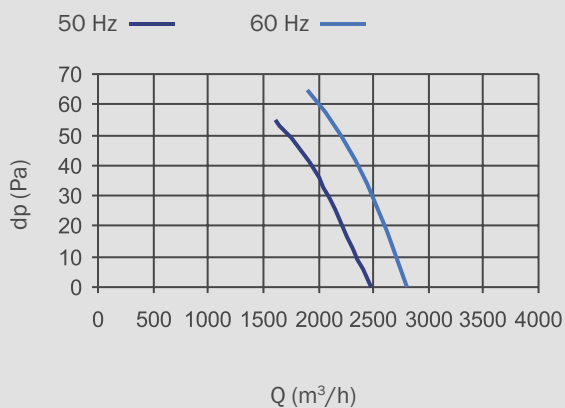
**Notes:**

Fan characteristic measured in short bell mouth with guard grill



**Diameter:** 350 mm

**Aerodynamic characteristic:**



**Performance Data:**

1~230V 50/60Hz  
 $P_1 = 88 / 125W$   
 $n = 1380 / 1560\text{min}^{-1}$   
 $I = 0,39 / 0,56A$   
 $t_R = 55^\circ C$   
 $L_{wa} = 65 / 69\text{dB(A)}$   
 $C = 4\mu F / 450V$   
 Connection: terminal box  
 Ins.Cl. F  
 IP54

**Notes:**

Fan characteristic measured in short bell mouth with guard grill

R11\_-35KP\_-4M-3808

**Fan with wall plate**

**Airflow**

**Direction**

»S«

»B«

**Type:**

R11P-35KPA-4M-3808

R11P-35KPP-4M-3808

Available on request

**Fan with guard grill**

**Airflow**

**Direction**

»S«

»B«

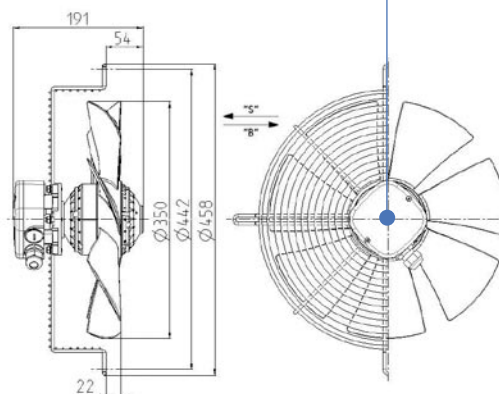
**Type:**

R11R-35KPA-4M-3808

R11R-35KPP-4M-3808

**Code:**

0311-4-0243



**Weight:**  
5,5 kg

**Fan without guard grill**

**Airflow**

**Direction**

»S«

»B«

**Type:**

R11E-35KPA-4M-3808

R11E-35KPP-4M-3808

Available on request

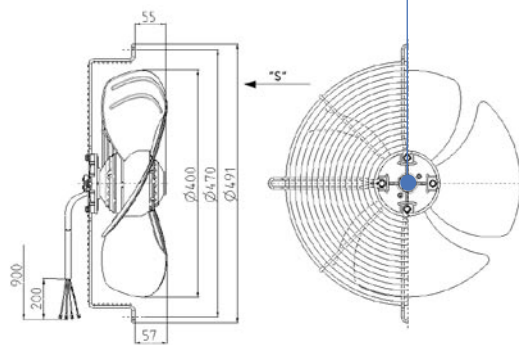
**Fan with wall plate****Airflow****Direction**»S«  
»B«**Type:**R11P-40EPA-6M-3806  
R11P-40EPP-6M-3806

Available on request

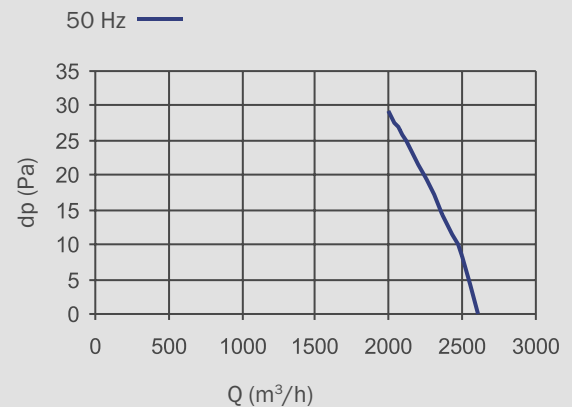
R11\_-40EPA-6M-3806

**Diameter:** 400 mm**Fan with guard grill****Airflow****Direction**»S«  
»B«**Type:**R11R-40EPA-6M-3806  
R11R-40EPP-6M-3806**Code:**

0311-4-0108

**Weight:**  
5,7 kg**Fan without guard grill****Airflow****Direction**»S«  
»B«**Type:**R11E-40EPA-6M-3806  
R11E-40EPP-6M-3806

Available on request

**Aerodynamic characteristic:****Performance Data:**

1~230V 50Hz  
 $P_1 = 77W$   
 $n = 895\text{min}^{-1}$   
 $I = 0,33A$   
 $t_R = 50^\circ C$   
 $L_{wa} = 64\text{dB(A)}$   
 $C = 3,15\mu F / 450V$   
 Connection: cable  
 Ins.Cl. F  
 IP44

**Notes:**

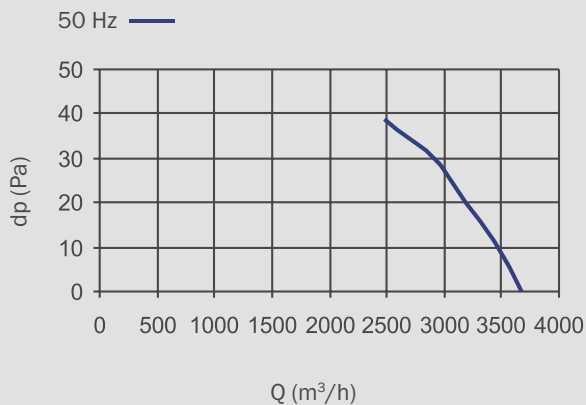
Fan characteristic measured in short bell mouth with guard grill





**Diameter:** 450 mm

#### Aerodynamic characteristic:



#### Performance Data:

1~230V 50Hz  
 $P_1 = 125W$   
 $n = 850\text{min}^{-1}$   
 $I = 0,54A$   
 $t_R = 50^\circ C$   
 $L_{wa} = 68\text{dB(A)}$   
 $C = 5\mu F / 450V$   
 Connection: cable  
 Ins.Cl. F  
 IP44

#### Notes:

Fan characteristic measured in short bell mouth with guard grill

R11\_-45EPA-6M-5105

#### Fan with wall plate

##### Airflow

##### Direction

»S«

»B«

##### Type:

R11P-45EPA-6M-5105

R11P-45EPP-6M-5105

Available on request

#### Fan with guard grill

##### Airflow

##### Direction

»S«

»B«

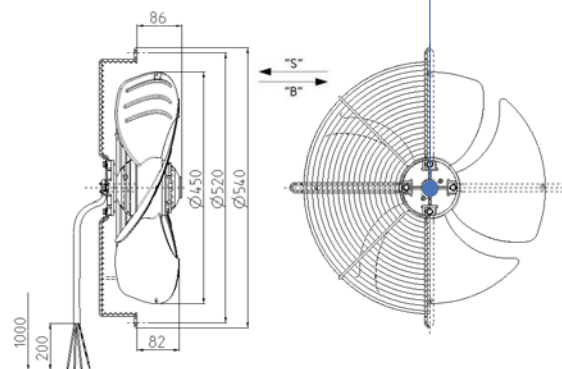
##### Type:

R11R-45EPA-6M-5105

R11R-45EPP-6M-5105

##### Code:

0311-4-0111



**Weight:**  
6,2 kg

#### Fan without guard grill

##### Airflow

##### Direction

»S«

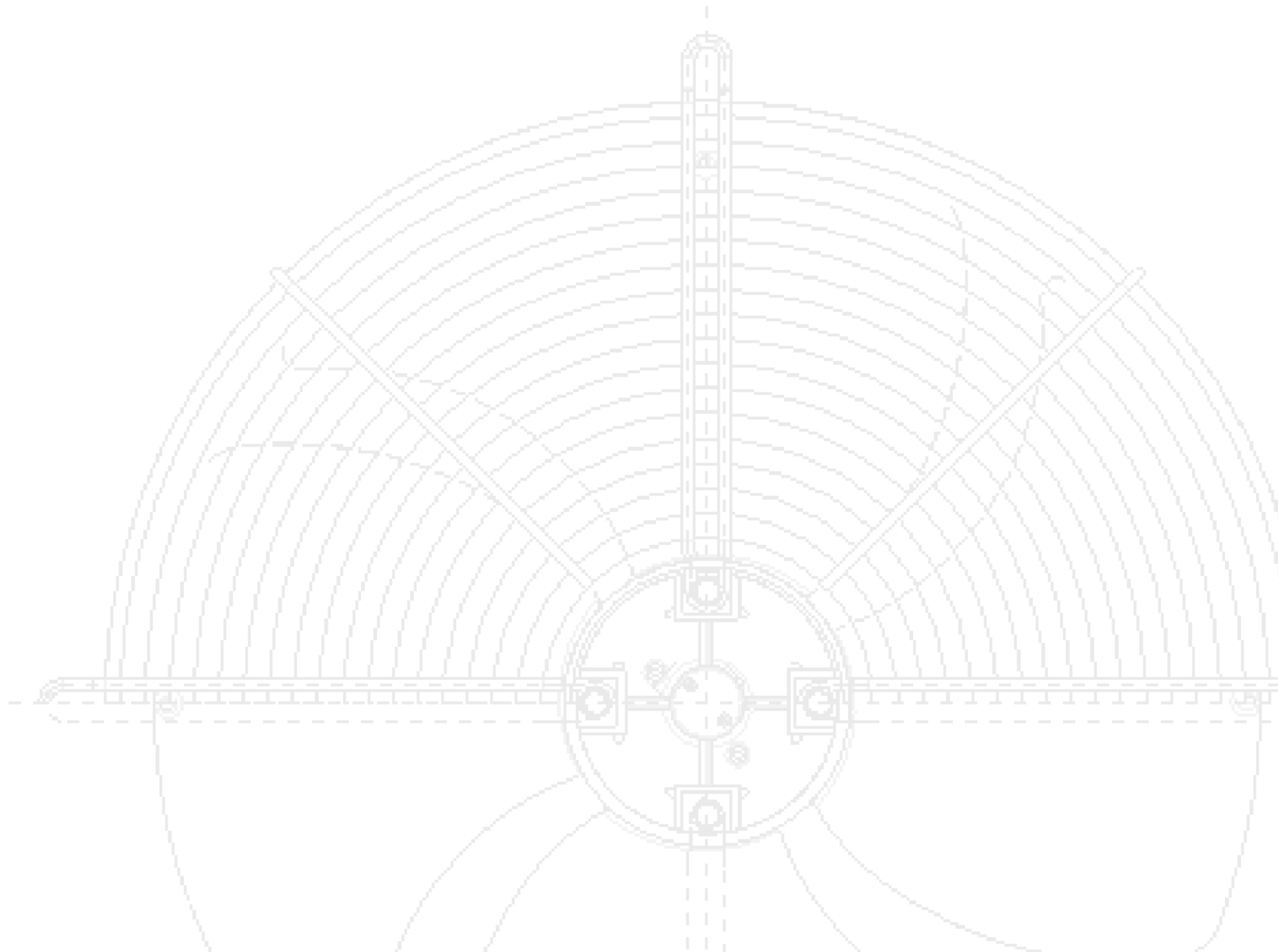
»B«

##### Type:

R11E-45EPA-6M-5105

R11E-45EPP-6M-5105

Available on request

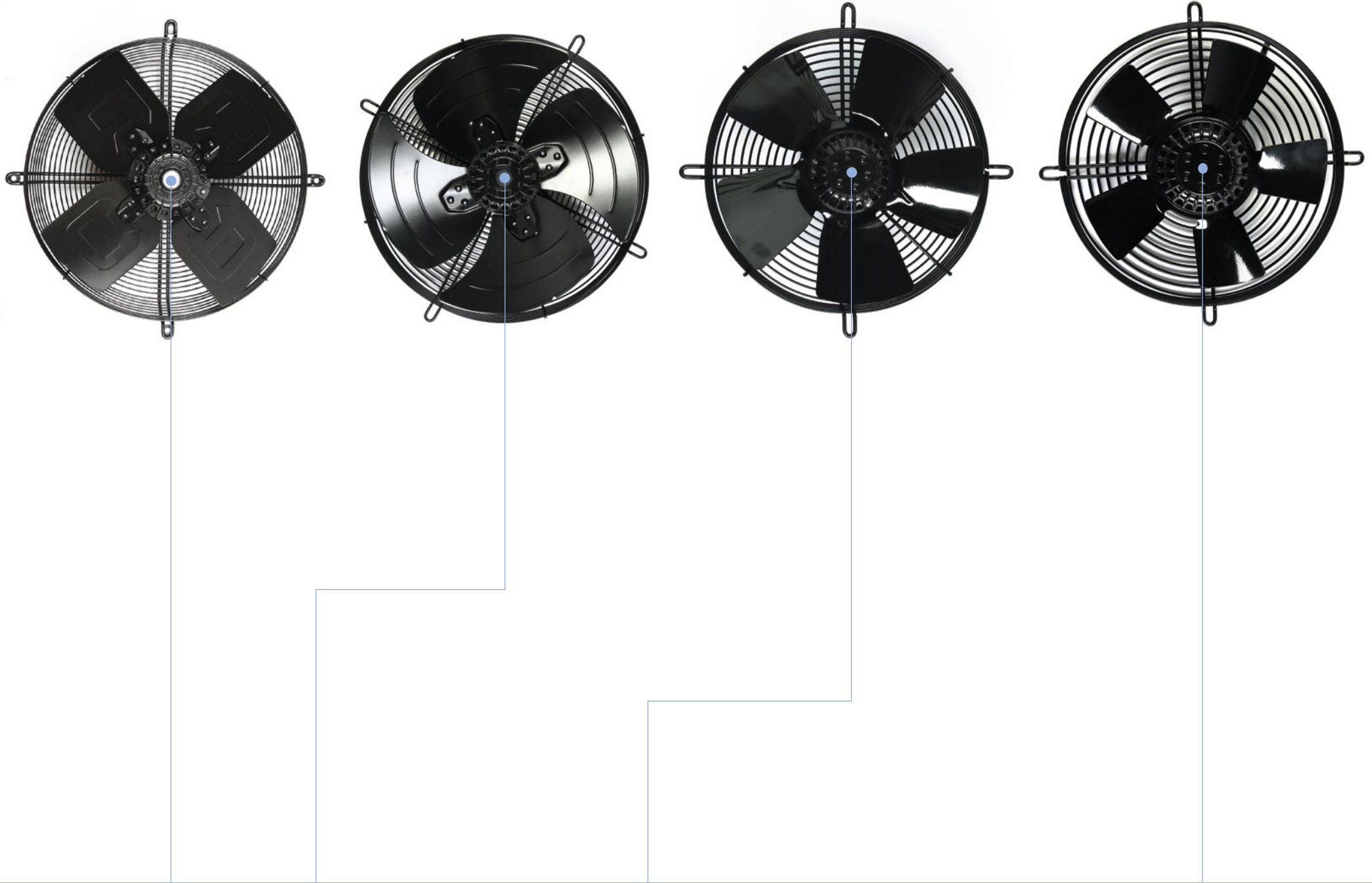


# Axial Fans With Plastic Blades

### Type key for Axial fans (example)

#### **R09R-3532A-4T2-4200**

- R09** External rotor motor type (R09, R11, R13, R18)
- R** Accessory type (E-without guard grill, R-with guard grill, P-with guard grill and wall plate)
- 35** Fan diameter x 10 (exact diameters are stated in drawings)
- 32** Blade angle
- A** Airflow direction (A-sucking, P-blowing)
- 4** Number of poles
- T** Number of phases (M-single phase, T-three phase)
- 2** Number of speeds
- 42** Motor stack height
- 00** Electrical design



# Axial Fans



**Diameter:** 200 mm

R09\_-2025\_-2M-1511

### Fan with wall plate

#### Airflow

#### Direction Type:

»S«

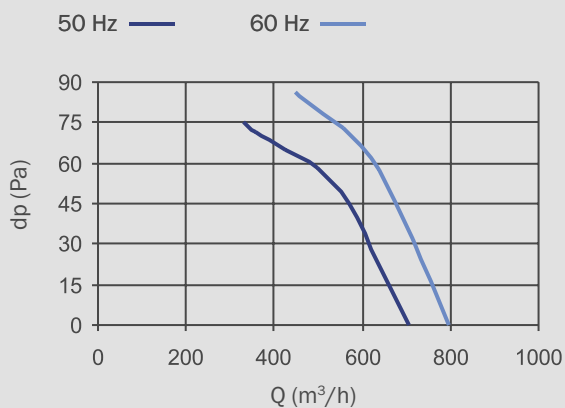
R09P-2025A-2M-1511

»B«

R09P-2025P-2M-1511

Available on request

### Aerodynamic characteristic:



### Performance Data:

1~230V 50/60Hz

$P_1 = 45 / 55W$

$n = 2580 / 2850\text{min}^{-1}$

$I = 0,21 / 0,24A$

$t_R = 70^\circ C$

$L_{wa} = 65,7 / 69\text{dB(A)}$

$C = 1,5\mu F / 450V$

Connection: cable

Ins.Cl. F

IP44

### Notes:

Fan characteristic measured in full bell mouth with guard grill

### Fan with guard grill

#### Airflow

#### Direction Type:

»S«

R09R-2025A-2M-1511

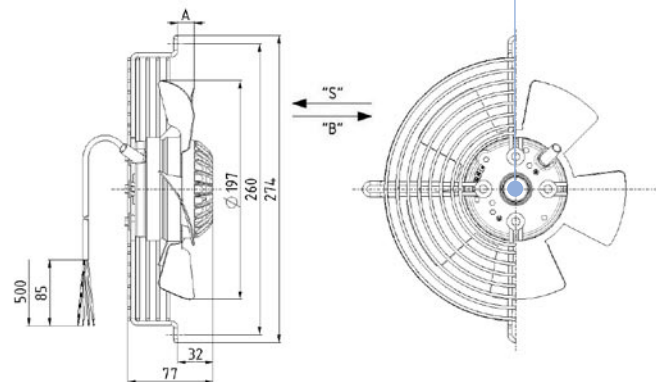
»B«

R09R-2025P-2M-1511

#### Code:

0309-4-0190

0309-4-0214



»S« Dimension A = 13 mm

»B« Dimension A = 47 mm

#### Weight:

1,6 kg

### Fan without guard grill

#### Airflow

#### Direction Type:

»S«

R09E-2025A-2M-1511

»B«

R09E-2025P-2M-1511

Available on request

**Fan with wall plate****Airflow****Direction****Type:**

- »S« R09P-2025A-4M-2516  
 »B« R09P-2025P-4M-2516

Available on request

R09\_-2025\_-4M-2516



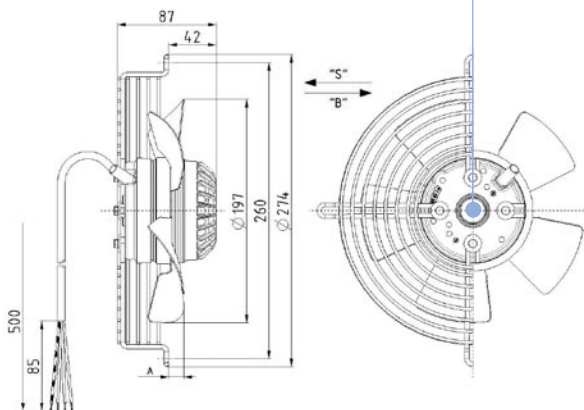
**Diameter:** 200 mm

**Fan with guard grill****Airflow****Direction****Type:**

- »S« R09R-2025A-4M-2516  
 »B« R09R-2025P-4M-2516

**Code:**

- 0309-4-0213  
 0309-4-0215



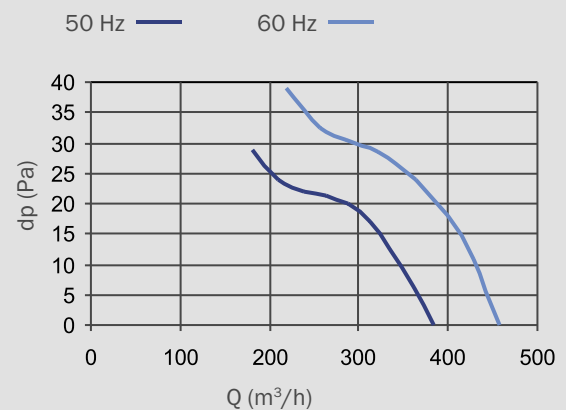
- »S« Dimension A = 13 mm  
 »B« Dimension A = 47 mm

**Weight:**  
 1,9 kg

**Fan without guard grill****Airflow****Direction****Type:**

- »S« R09E-2025A-4M-2516  
 »B« R09E-2025P-4M-2516

Available on request

**Aerodynamic characteristic:****Performance Data:**

1~230V 50/60Hz  
 $P_1 = 30 / 38W$   
 $n = 1430 / 1680\text{min}^{-1}$   
 $I = 0,14 / 0,17A$   
 $t_R = 65^\circ C$   
 $Lwa = 52 / 54\text{dB}(A)$   
 $C = 1,5\mu F / 450V$   
 Connection: cable  
 Ins.Cl. F  
 IP44

**Notes:**

Fan characteristic measured in full bell mouth with guard grill



**Diameter:** 250 mm

R09\_-2525P-2M-3510

#### Fan with wall plate

##### Airflow

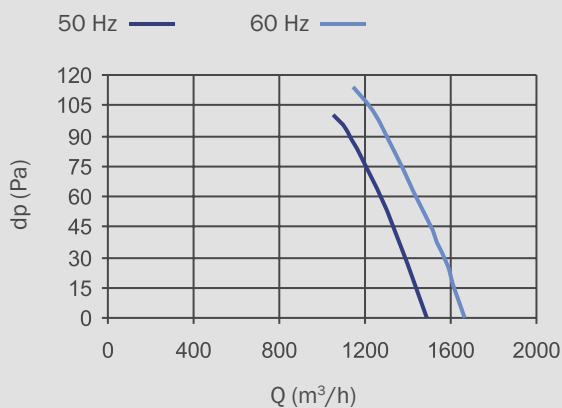
##### Direction Type:

»S« R09P-2525A-2M-3510

»B« R09P-2525P-2M-3510

Available on request

#### Aerodynamic characteristic:



#### Performance Data:

1~230V 50/60Hz

$P_1 = 95 / 130W$

$n = 2700 / 2950min^{-1}$

$I = 0,44 / 0,58A$

$t_R = 50^\circ C$

$Lwa = 71,5 / 73dB(A)$

$C = 4\mu F / 450V$

Connection: cable

Ins.Cl. F

IP44

#### Notes:

Fan characteristic measured in full bell mouth with guard grill

#### Fan with guard grill

##### Airflow

##### Direction Type:

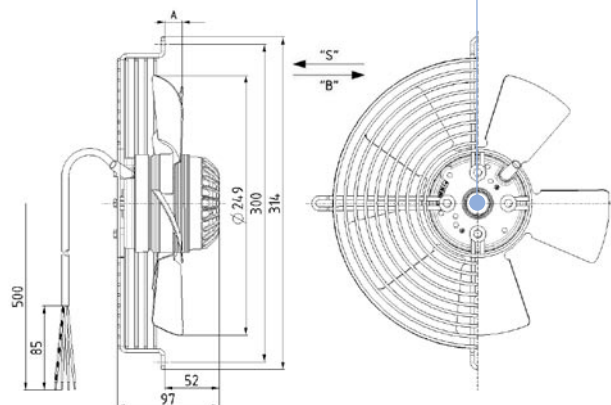
»S« R09R-2525A-2M-3510

»B« R09R-2525P-2M-3510

##### Code:

0309-4-0198

0309-4-0216



»S« Dimension A = 12 mm

»B« Dimension A = 48 mm

##### Weight:

2,5 kg

#### Fan without guard grill

##### Airflow

##### Direction Type:

»S« R09E-2525A-2M-3510

»B« R09E-2525P-2M-3510

Available on request

**Fan with wall plate****Airflow****Direction****Type:**

»S« R09P-2525A-4M-2516

»B« R09P-2525P-4M-2516

Available on request

R09\_-2525\_-4M-2516

**Diameter:** 250 mm**Fan with guard grill****Airflow****Direction****Type:**

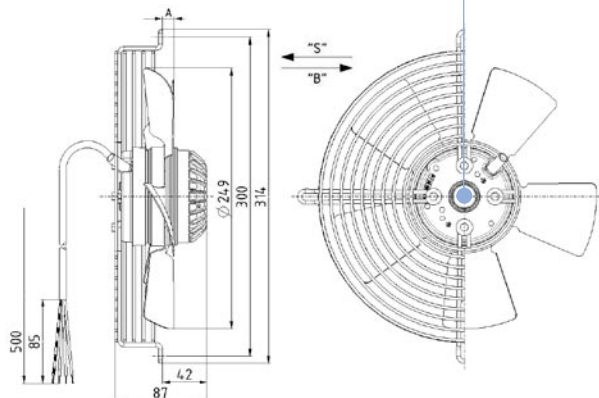
»S« R09R-2525A-4M-2516

»B« R09P-2525P-4M-2516

**Code:**

0309-4-0199

0309-4-0217



»S« Dimension A = 12 mm

»B« Dimension A = 48 mm

**Weight:**

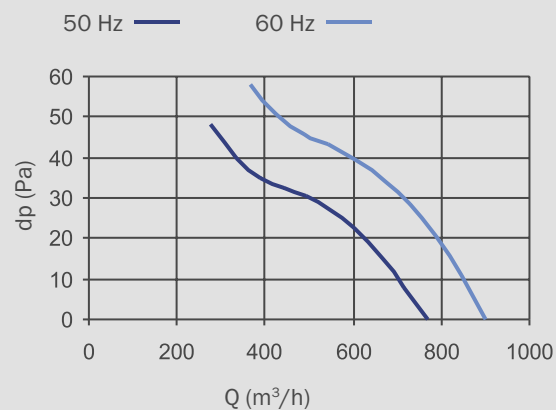
2,1 kg

**Fan without guard grill****Airflow****Direction****Type:**

»S« R09E-2525A-4M-2516

»B« R09E-2525P-4M-2516

Available on request

**Aerodynamic characteristic:****Performance Data:**

1~230V 50/60Hz

 $P_1 = 35 / 44W$  $n = 1430 / 1680\text{min}^{-1}$  $I = 0,16 / 0,18A$  $t_R = 70^\circ\text{C}$  $L_{wa} = 58,5 / 61\text{dB(A)}$  $C = 1,5\mu\text{F} / 450V$ 

Connection: cable

Ins.Cl. F

IP44

**Notes:**

Fan characteristic measured in full bell mouth with guard grill





**Diameter:** 250 mm

R09\_-2525\_-6M-2515

### Fan with wall plate

#### Airflow

#### Direction Type:

»S«

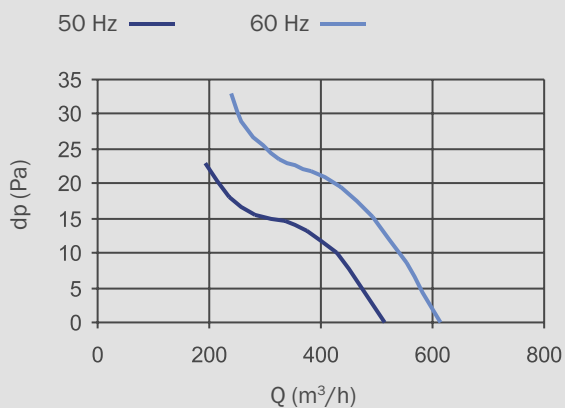
R09P-2525A-6M-2515

»B«

R09P-2525P-6M-2515

Available on request

### Aerodynamic characteristic:



### Performance Data:

1~230V 50/60Hz

$P_1 = 36 / 41W$

$n = 980 / 1160\text{min}^{-1}$

$I = 0,16 / 0,18A$

$t_R = 55^\circ C$

$L_{wa} = 43,7 / 45\text{dB(A)}$

$C = 1,5\mu F / 450V$

Connection: cable

Ins.Cl. F

IP44

### Notes:

Fan characteristic measured in full bell mouth with guard grill

### Fan with guard grill

#### Airflow

#### Direction Type:

»S«

R09R-2525A-6M-2515

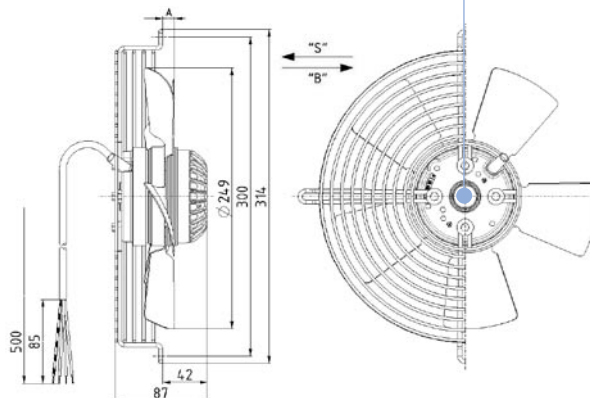
»B«

R09R-2525P-6M-2515

#### Code:

0309-4-0191

0309-4-0218



»S« Dimension A = 12 mm

»B« Dimension A = 48 mm

#### Weight:

2,1 kg

### Fan without guard grill

#### Airflow

#### Direction Type:

»S«

R09E-2525A-6M-2515

»B«

R09E-2525P-6M-2515

Available on request

**Fan with wall plate****Airflow****Direction****Type:**

»S«

R09P-2528A-4M-2516

»B«

R09P-2528P-4M-2516

Available on request

R09\_-2528\_-4M-2516

**Diameter:** 250 mm**Fan with guard grill****Airflow****Direction****Type:**

»S«

R09R-2528A-4M-2516

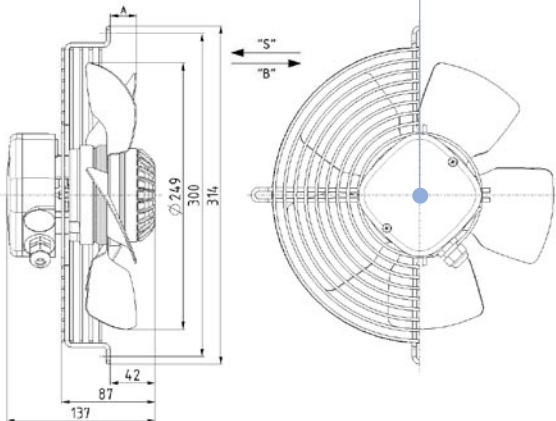
»B«

R09R-2528P-4M-2516

**Code:**

0309-4-0211

0309-4-0261



»S« Dimension A = 27 mm

»B« Dimension A = 27 mm

**Weight:**

3,4 kg

**Fan without guard grill****Airflow****Direction****Type:**

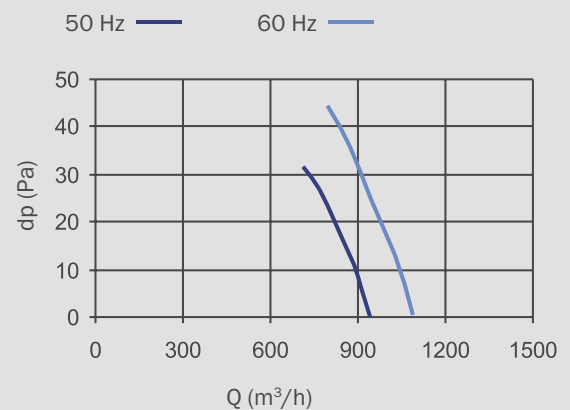
»S«

R09E-2528A-4M-2516

»B«

R09E-2528P-4M-2516

Available on request

**Aerodynamic characteristic:****Performance Data:**

1~230V 50/60Hz

 $P_1 = 40 / 52W$  $n = 1360 / 1550min^{-1}$  $I = 0,17 / 0,22A$  $t_R = 70^{\circ}C$  $Lwa = 60 / 62,5dB(A)$  $C = 1,5uF / 450V$ 

Connection: terminal box

Ins.Cl. F

IP54

**Notes:**

Fan characteristic measured in short bell mouth with guard grill



**Diameter:** 300 mm

R09\_-3028\_-4M-3509

#### Fan with wall plate

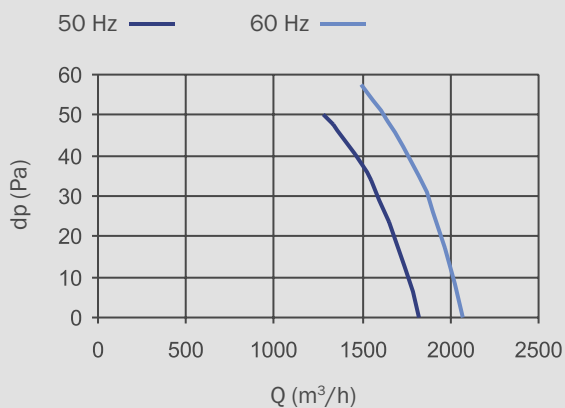
##### Airflow

##### Direction Type:

- »S« R09P-3028A-4M-3509
- »B« R09P-3028P-4M-3509

Available on request

#### Aerodynamic characteristic:



#### Performance Data:

1~230V 50/60Hz  
 $P_1 = 74 / 92W$   
 $n = 1330 / 1470\text{min}^{-1}$   
 $I = 0,34 / 0,40A$   
 $t_R = 50^\circ C$   
 $L_{wa} = 67 / 70\text{dB(A)}$   
 $C = 2,5\mu F / 450V$   
 Connection: terminal box  
 Ins.Cl. F  
 IP54

#### Notes:

Fan characteristic measured in short bell mouth with guard grill

#### Fan with guard grill

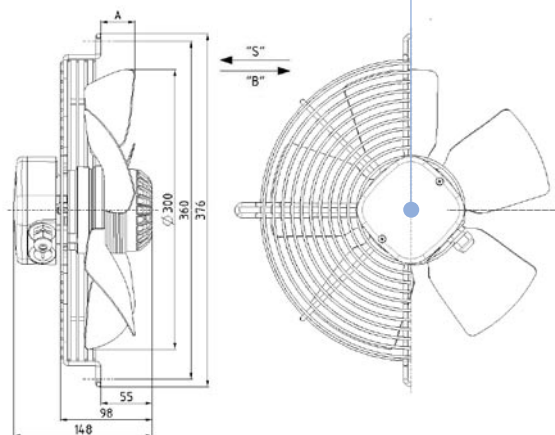
##### Airflow

##### Direction Type:

- »S« R09R-3028A-4M-3509
- »B« R09R-3028P-4M-3509

##### Code:

0309-4-0100  
 0309-4-0121



- »S« Dimension A = 39 mm
- »B« Dimension A = 39 mm

**Weight:**  
 3,4 kg

#### Fan without guard grill

##### Airflow

##### Direction Type:

- »S« R09E-3028A-4M-3509
- »B« R09E-3028P-4M-3509

Available on request

**Fan with wall plate****Airflow****Direction****Type:**

»S« R09P-3028A-4T-2513  
 »B« R09P-3028P-4T-2513

Available on request

R09\_-3028\_-4T-2513



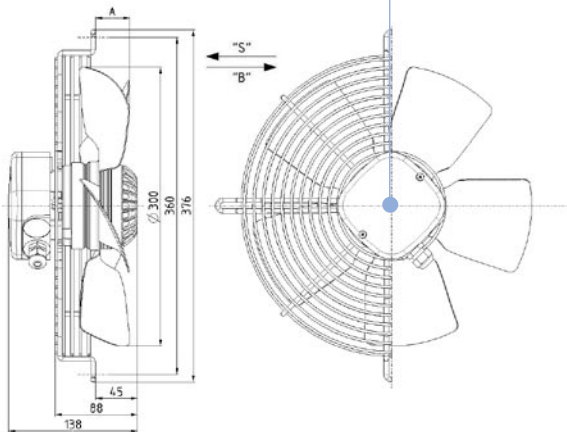
**Diameter:** 300 mm

**Fan with guard grill****Airflow****Direction****Type:**

»S« R09R-3028A-4T-2513  
 »B« R09R-3028P-4T-2513

**Code:**

0309-4-0059  
 0309-4-0035



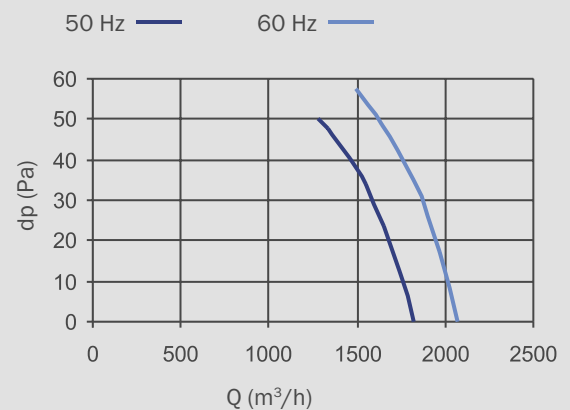
»S« Dimension A = 39 mm  
 »B« Dimension A = 39 mm

**Weight:**  
 3 kg

**Fan without guard grill****Airflow****Direction****Type:**

»S« R09E-3028A-4T-2513  
 »B« R09E-3028P-4T-2513

Available on request

**Aerodynamic characteristic:****Performance Data:**

3~230 / 400V 50/60Hz

$P_1 = 72 / 81W$

$n = 1300 / 1440min^{-1}$

$I = 0,31 / 0,18A / 0,28 / 0,16A$

$t_R = 50^\circ C$

LWA = 66 / 69dB(A)

Connection: terminal box

Ins.Cl. F

IP54

**Notes:**

Fan characteristic measured in short bell mouth with guard grill



**Diameter:** 315 mm

R09\_-3132\_-4M-3509

#### Fan with wall plate

##### Airflow

##### Direction Type:

»S«

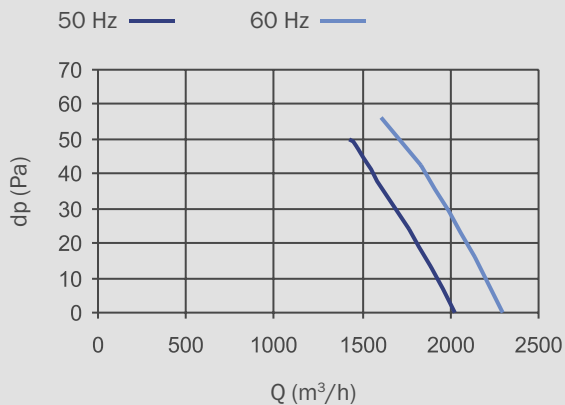
R09P-3132A-4M-3509

»B«

R09P-3132P-4M-3509

Available on request

#### Aerodynamic characteristic:



#### Performance Data:

1~230V 50/60Hz

$P_1 = 86 / 117W$

$n = 1340 / 1490\text{min}^{-1}$

$I = 0,38 / 0,51A$

$t_R = 55 / 45^\circ C$

$L_{wa} = 68 / 72\text{dB(A)}$

$C = 3,15\mu F / 450V$

Connection: terminal box

Ins.Cl. F

IP54

#### Notes:

Fan characteristic measured in short bell mouth with guard grill

#### Fan with guard grill

##### Airflow

##### Direction Type:

»S«

R09R-3132A-4M-3509

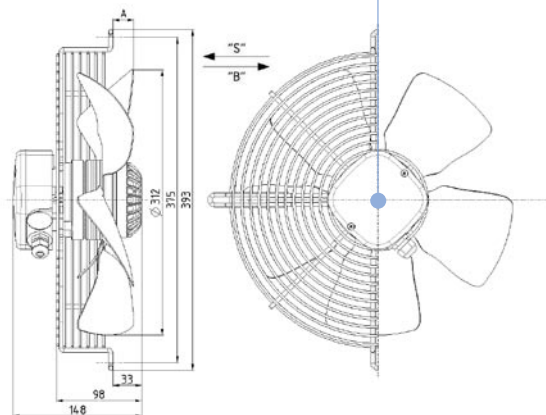
»B«

R09R-3132P-4M-3509

##### Code:

0309-4-0048

0309-4-0075



»S« Dimension A = 27 mm

»B« Dimension A = 32 mm

##### Weight:

3,5 kg

#### Fan without guard grill

##### Airflow

##### Direction Type:

»S«

R09E-3132A-4M-3509

»B«

R09E-3132P-4M-3509

Available on request

**Fan with wall plate**

**Airflow**

**Direction**

**Type:**

- »S« R09P-3132A-4T-3524
- »B« R09P-3132P-4T-3524

Available on request

R09\_-3132\_-4T-3524



**Diameter:** 315 mm

**Fan with guard grill**

**Airflow**

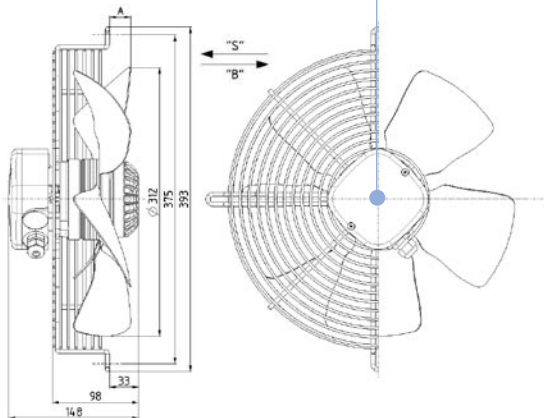
**Direction**

**Type:**

- »S« R09R-3132A-4T-3524
- »B« R09R-3132P-4T-3524

**Code:**

- 0309-4-0130
- 0309-4-0091



- »S« Dimension A = 27 mm
- »B« Dimension A = 32 mm

**Weight:**  
4 kg

**Fan without guard grill**

**Airflow**

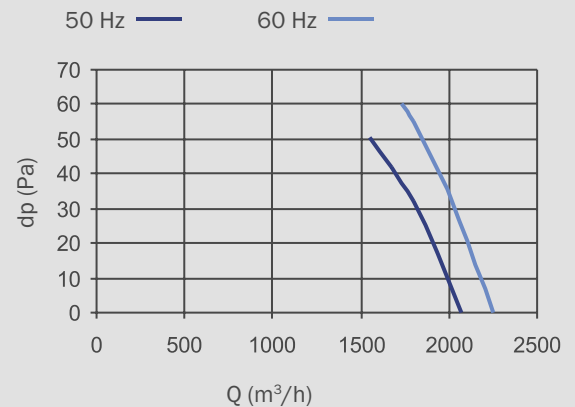
**Direction**

**Type:**

- »S« R09E-3132A-4T-3524
- »B« R09E-3132P-4T-3524

Available on request

**Aerodynamic characteristic:**



**Performance Data:**

- 3~230 / 400V 50/60Hz
- $P_1 = 80 / 102W$
- $n = 1350 / 1500min^{-1}$
- $I = 0,34 / 0,20A / 0,33 / 0,19A$
- $t_R = 65^\circ C$
- $Lwa = 68 / 72dB(A)$
- Connection: terminal box
- Ins.Cl. F
- IP54

**Notes:**

Fan characteristic measured in short bell mouth with guard grill



**Diameter:** 330 mm

R09\_-3332\_-4M-4228

#### Fan with wall plate

##### Airflow

##### Direction Type:

»S«

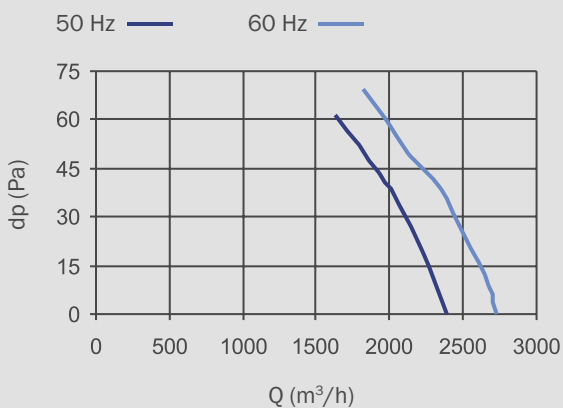
R09P-3332A-4M-4228

»B«

R09P-3332P-4M-4228

Available on request

#### Aerodynamic characteristic:



#### Performance Data:

1~230V 50/60Hz

$P_1 = 130 / 170W$

$n = 1330 / 1480\text{min}^{-1}$

$I = 0,58 / 0,78A$

$t_R = 60^\circ C$

$L_{wa} = 70 / 72\text{dB(A)}$

$C = 4\mu F / 450V$

Connection: terminal box

Ins.Cl. F

IP54

#### Notes:

Fan characteristic measured in short bell mouth with guard grill

#### Fan with guard grill

##### Airflow

##### Direction Type:

»S«

R09R-3332A-4M-4228

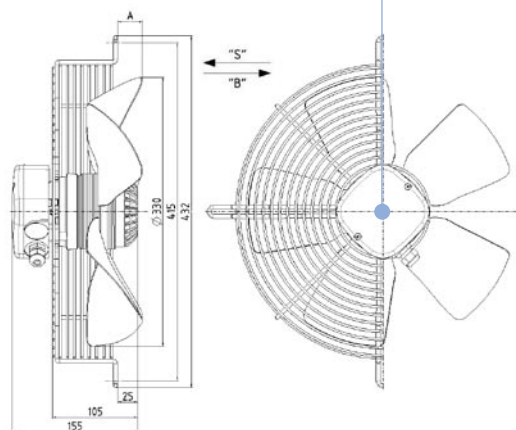
»B«

R09R-3332P-4M-4228

##### Code:

0309-4-0264

0309-4-0265



»S« Dimension A = 34 mm

»B« Dimension A = 34 mm

##### Weight:

3,5 kg

#### Fan without guard grill

##### Airflow

##### Direction Type:

»S«

R09E-3332A-4M-4228

»B«

R09E-3332P-4M-4228

Available on request

**Fan with wall plate****Airflow****Direction****Type:**

»S«

R09P-3532A-4M-4200

»B«

R09P-3532P-4M-4200

Available on request

R09\_-3532\_-4M-4200

**Diameter:** 350 mm**Fan with guard grill****Airflow****Direction****Type:**

»S«

R09R-3532A-4M-4200

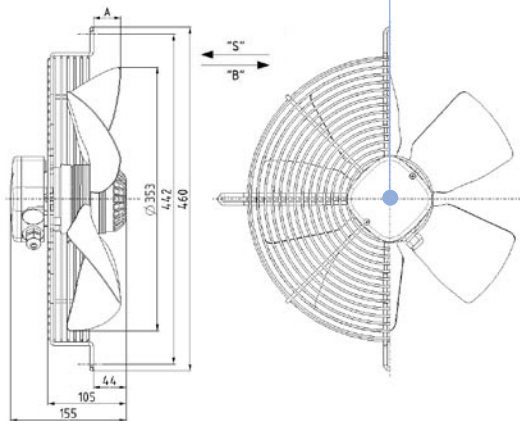
»B«

R09R-3532P-4M-4200

**Code:**

0309-4-0108

0309-4-0221



»S« Dimension A = 40 mm

»B« Dimension A = 40 mm

**Weight:**

4 kg

**Fan without guard grill****Airflow****Direction****Type:**

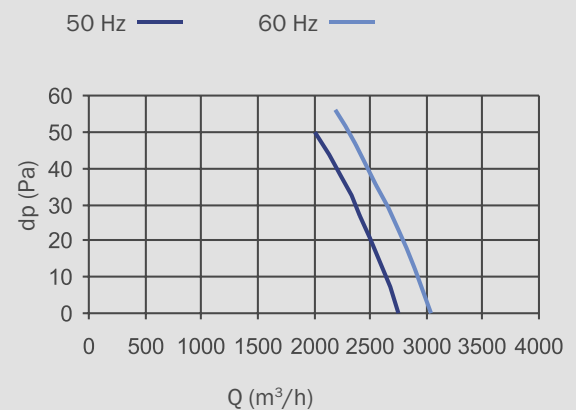
»S«

R09E-3532A-4M-4200

»B«

R09E-3532P-4M-4200

Available on request

**Aerodynamic characteristic:****Performance Data:**

1~230V 50/60Hz

 $P_1 = 155 / 158W$  $n = 1270 / 1390\text{min}^{-1}$  $I = 0,75 / 0,68A$  $t_R = 50^\circ C$  $L_{wa} = 71 / 73\text{dB(A)}$  $C = 5\mu F / 450V$ 

Connection: terminal box

Ins.Cl. F

IP54

**Notes:**

Fan characteristic measured in short bell mouth with guard grill





R09\_-3532\_-4T-4203

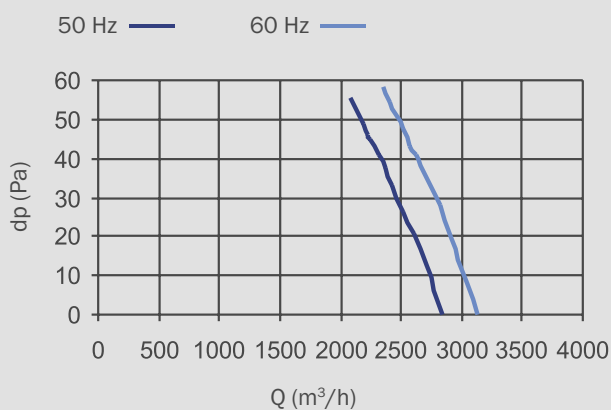
**Fan with wall plate****Airflow****Direction**

- »S«
- »B«

**Type:**

R09P-3532A-4T-4203  
R09P-3532P-4T-4203

Available on request

**Diameter:** 350 mm**Aerodynamic characteristic:****Performance Data:**

3~230 / 400V 50/60Hz

 $P_1 = 135 / 165W$  $n = 1340 / 1460min^{-1}$  $I = 0,55 / 0,31A$  $t_R = 50^\circ C$ 

Lwa = 72 / 75dB(A)

Connection: terminal box

Ins.Cl. F

IP54

**Notes:**

Fan characteristic measured in short bell mouth with guard grill

**Fan with guard grill****Airflow****Direction**

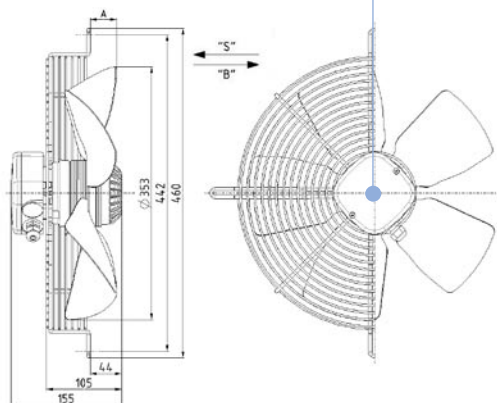
- »S«
- »B«

**Type:**

R09R-3532A-4T-4203  
R09R-3532P-4T-4203

**Code:**

0309-4-0222  
0309-4-0223



»S« Dimension A = 40 mm

»B« Dimension A = 40 mm

**Weight:**

4 kg

**Fan without guard grill****Airflow****Direction**

- »S«
- »B«

**Type:**

R09E-3532A-4T-4203  
R09E-3532P-4T-4203

Available on request

**Fan with wall plate****Airflow****Direction Type:**

»S« R11P-3530A-4M-3119

»B« R11P-3530P-4M-3119

Available on request

R11\_-3530\_-4M-3119

**Diameter:** 350 mm**Fan with guard grill****Airflow****Direction Type:**

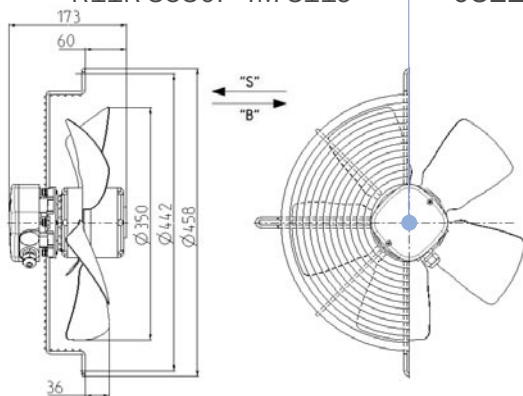
»S« R11R-3530A-4M-3119

»B« R11R-3530P-4M-3119

**Code:**

0311-4-0196

0311-4-0157



»S« Dimension A = 36 mm

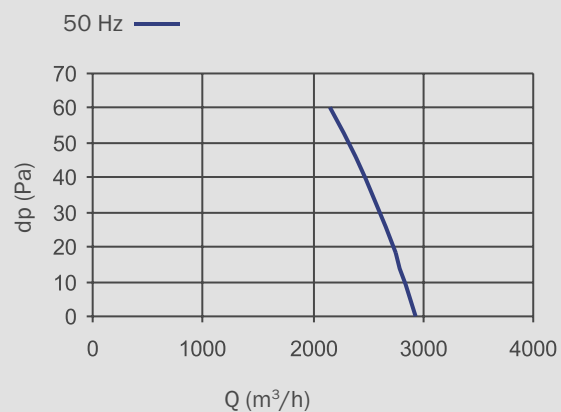
»B« Dimension A = 36 mm

**Weight:**  
5 kg**Fan without guard grill****Airflow****Direction Type:**

»S« R09E-3530A-4M-3119

»B« R09E-3530P-4M-3119

Available on request

**Aerodynamic characteristic:****Performance Data:**

1~230V 50Hz

 $P_1 = 128W$  $n = 1370 / \text{min}^{-1}$  $I = 0,56A$  $t_R = 60^\circ C$ 

Lwa = 67dB(A)

C = 5uF / 450V

Connection: terminal box

Ins.Cl. F

IP54

**Notes:**

Fan characteristic measured in short bell mouth with guard grill



**Diameter:** 400 mm

R11\_-4025\_-4M-5137

### Fan with wall plate

#### Airflow

#### Direction Type:

»S«

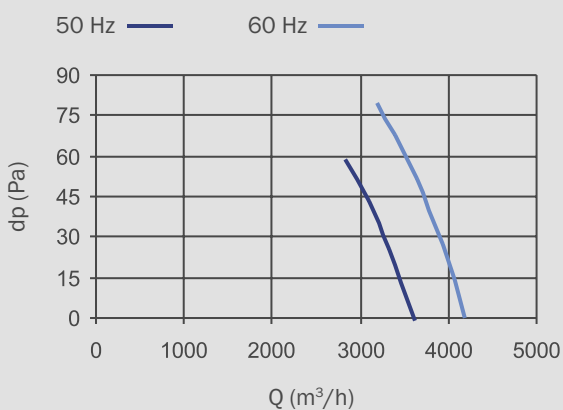
R11P-4025A-4M-5137

»B«

R11P-4025P-4M-5137

Available on request

### Aerodynamic characteristic:



### Performance Data:

1~230V 50/60Hz

$P_1 = 170 / 205W$

$n = 1370 / 1570\text{min}^{-1}$

$I = 0,82 / 0,89A$

$t_R = 65 / 45^\circ C$

$L_{wa} = 71 / 74\text{dB(A)}$

$C = 6,3\mu F / 450V$

Connection: terminal box

Ins.Cl. F

IP54

### Notes:

Fan characteristic measured in short bell mouth with guard grill

### Fan with guard grill

#### Airflow

#### Direction Type:

»S«

R11R-4025A-4M-5137

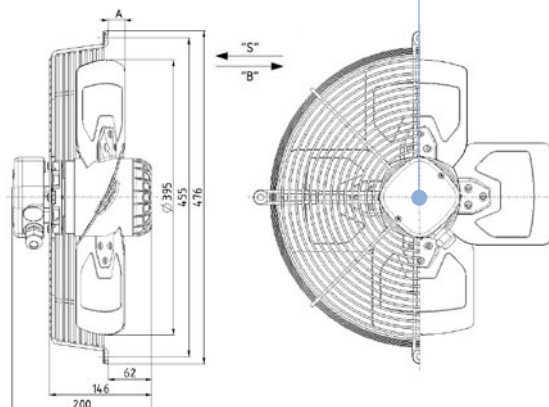
»B«

R11R-4025P-4M-5137

#### Code:

0311-4-0194

0311-4-0195



»S« Dimension A = 33 mm

»B« Dimension A = 48 mm

#### Weight:

6.1 kg

### Fan without guard grill

#### Airflow

#### Direction Type:

»S«

R11E-4025A-4M-5137

»B«

R11E-4025P-4M-5137

Available on request

**Fan with wall plate****Airflow****Direction****Type:**

»S«

R11P-4030A-4M-5137

»B«

R11P-4030P-4M-5137

Available on request

R11\_-4030\_-4M-5137

**Diameter:** 400 mm**Fan with guard grill****Airflow****Direction****Type:**

»S«

R11R-4030A-4M-5137

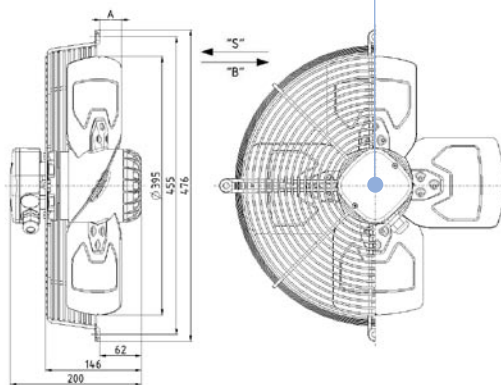
»B«

R11R-4030P-4M-5137

**Code:**

0311-4-0192

0311-4-0193



»S« Dimension A = 41 mm

»B« Dimension A = 53 mm

**Weight:**

6,1 kg

**Fan without guard grill****Airflow****Direction****Type:**

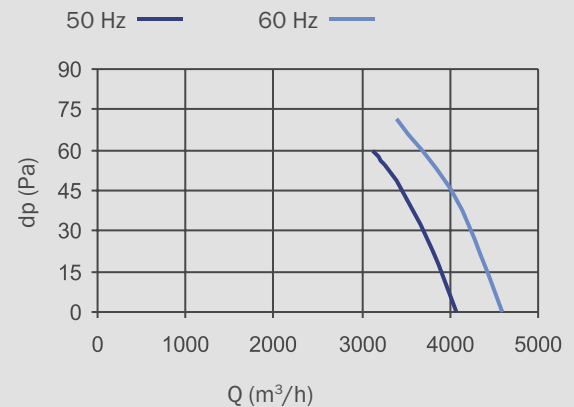
»S«

R11E-4030A-4M-5137

»B«

R11E-4030P-4M-5137

Available on request

**Aerodynamic characteristic:****Performance Data:**

1~230V 50/60Hz

 $P_1 = 200 / 265W$  $n = 1345 / 1500\text{min}^{-1}$  $I = 0,90 / 1,15A$  $t_R = 65 / 45^\circ\text{C}$  $L_{wa} = 72 / 76\text{dB(A)}$  $C = 6,3\mu\text{F} / 450V$ 

Connection: terminal box

Ins.Cl. F

IP54

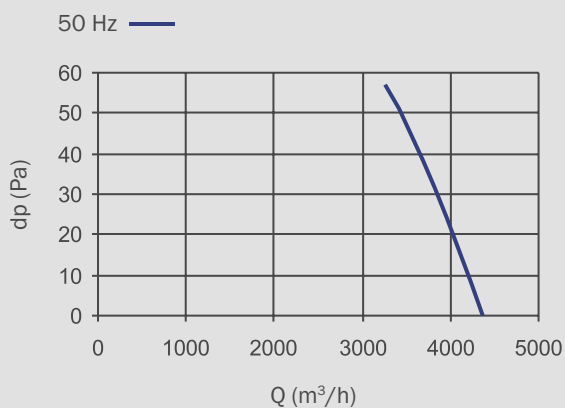
**Notes:**

Fan characteristic measured in short bell mouth with guard grill



**Diameter:** 400 mm

**Aerodynamic characteristic:**



**Performance Data:**

1~230V 50Hz

$P_1 = 245W$

$n = 1320\text{min}^{-1}$

$I = 1,15A$

$t_R = 50^\circ\text{C}$

$L_{wa} = 73\text{dB(A)}$

$C = 6,3\mu\text{F} / 450V$

Connection: terminal box

Ins.Cl. F

IP54

**Notes:**

Fan characteristic measured in short bell mouth with guard grill

R11\_-4035\_-4M-5715

**Fan with wall plate**

**Airflow**

**Direction Type:**

»S«

R11P-4035A-4M-5715

»B«

R11P-4035P-4M-5715

Available on request

**Fan with guard grill**

**Airflow**

**Direction Type:**

»S«

R11R-4035A-4M-5715

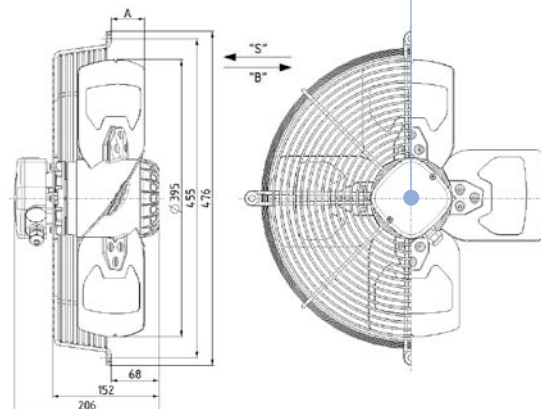
»B«

R11R-4035P-4M-5715

**Code:**

0311-4-0028

0311-4-0047



»S« Dimension A = 49 mm

»B« Dimension A = 61 mm

**Weight:**

6,3 kg

**Fan without guard grill**

**Airflow**

**Direction Type:**

»S«

R11E-4035A-4M-5715

»B«

R11E-4035P-4M-5715

Available on request

**Fan with wall plate****Airflow****Direction****Type:**

- »S« R11P-4025A-4T2-3830  
 »B« R11P-4025P-4T2-3830

Available on request

R11\_-4025\_-4T2-3830



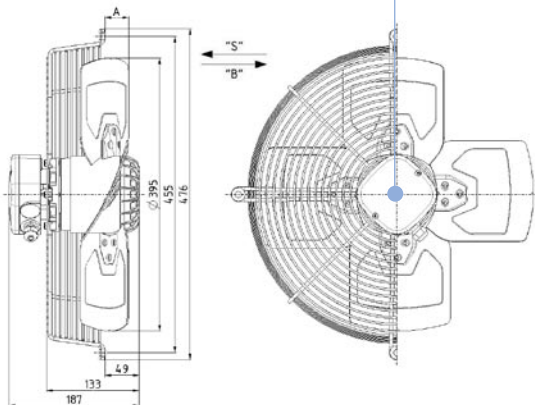
**Diameter:** 400 mm

**Fan with guard grill****Airflow****Direction****Type:**

- »S« R11R-4025A-4T2-3830  
 »B« R11R-4025P-4T2-3830

**Code:**

- 0311-4-0187  
 0311-4-0188



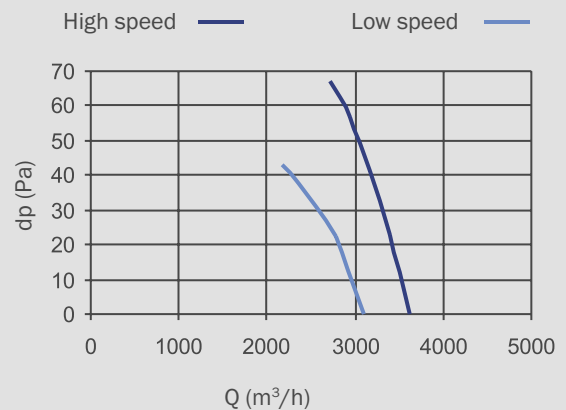
- »S« Dimension A = 33 mm  
 »B« Dimension A = 48 mm

**Weight:**  
 5,7 kg

**Fan without guard grill****Airflow****Direction****Type:**

- »S« R11E-4025A-4T2-3830  
 »B« R11E-4025P-4T2-3830

Available on request

**Aerodynamic characteristic:****Performance Data:**

3~400V D/Y 50Hz  
 $P_1 = 155 / 113W$   
 $n = 1390 / 1170\text{min}^{-1}$   
 $I = 0,29 / 0,18A$   
 $t_R = 70^\circ C$   
 $L_{wa} = 70 / 66\text{dB(A)}$   
 Connection: terminal box  
 Ins.Cl. F  
 IP54

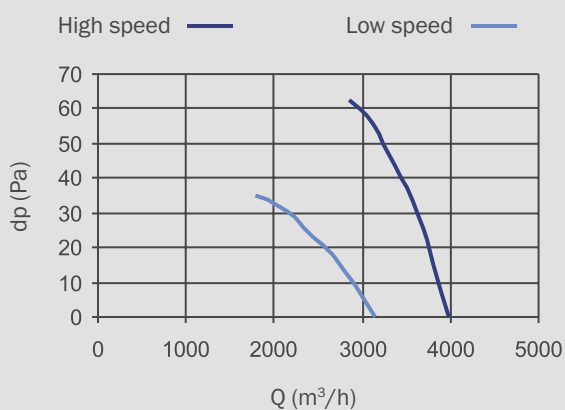
**Notes:**

Fan characteristic measured in short bell mouth with guard grill



**Diameter:** 400 mm

### Aerodynamic characteristic:



### Performance Data:

3~400V D/Y 50Hz  
 $P_1 = 195 / 130W$   
 $n = 1320 / 1000\text{min}^{-1}$   
 $I = 0,34 / 0,21A$   
 $t_R = 70^\circ C$   
 $L_{wa} = 73 / 66\text{dB(A)}$   
 Connection: box  
 Ins.Cl. F  
 IP54

### Notes:

Fan characteristic measured in short bell mouth with guard grill

### Fan with wall plate

#### Airflow

#### Direction Type:

»S« R11P-4030A-4T2-3830  
 »B« R11P-4030P-4T2-3830

R11\_-4030\_-4T2-3830

Available on request

### Fan with guard grill

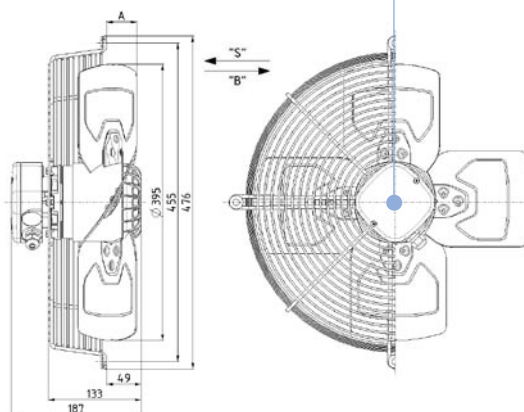
#### Airflow

#### Direction Type:

»S« R11R-4030A-4T2-3830  
 »B« R11R-4030P-4T2-3830

#### Code:

0311-4-0034  
 0311-4-0042



»S« Dimension A = 41 mm  
 »B« Dimension A = 53 mm

**Weight:**  
 5,7 kg

### Fan without guard grill

#### Airflow

#### Direction Type:

»S« R11E-4030A-4T2-3830  
 »B« R11E-4030P-4T2-3830

Available on request

**Fan with wall plate****Airflow****Direction****Type:**

»S«

R11P-4035A-4T2-5745

»B«

R11P-4035P-4T2-5745

Available on request

R11\_-4035\_-4T2-5745

**Diameter:** 400 mm**Fan with guard grill****Airflow****Direction****Type:**

»S«

R11R-4035A-4T2-5745

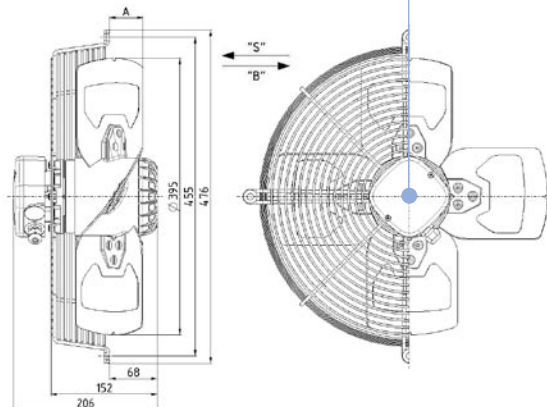
»B«

R11R-4035P-4T2-5745

**Code:**

0311-4-0159

0311-4-0049



»S« Dimension A = 49 mm

»B« Dimension A = 61 mm

**Weight:**

6,3 kg

**Fan without guard grill****Airflow****Direction****Type:**

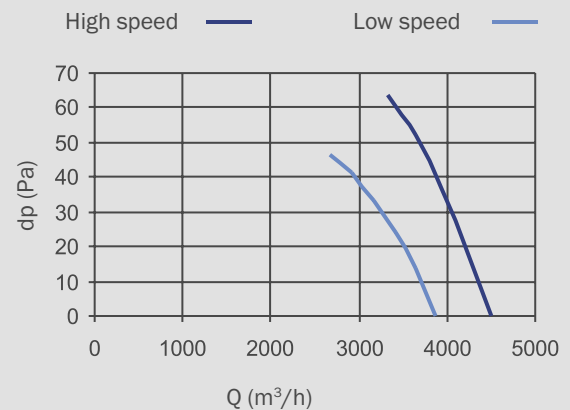
»S«

R11E-4035A-4T2-5745

»B«

R11E-4035P-4T2-5745

Available on request

**Aerodynamic characteristic:****Performance Data:**

3~400V D/Y 50Hz

 $P_1 = 250 / 188W$  $n = 1380 / 1160\text{min}^{-1}$  $I = 0,52 / 0,30A$  $t_R = 70^\circ C$ 

Lwa = 75 / 71dB(A)

Connection: terminal box

Ins.Cl. F

IP54

**Notes:**

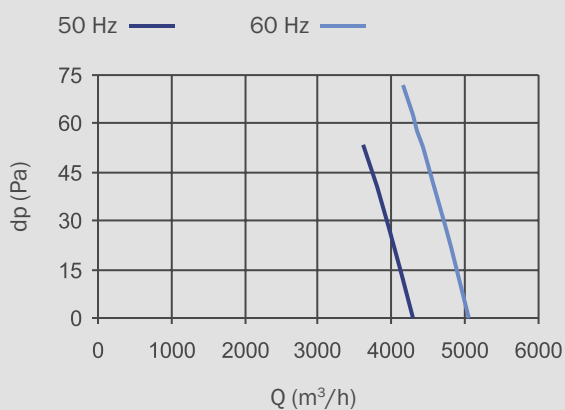
Fan characteristic measured in short bell mouth with guard grill





**Diameter:** 420 mm

### Aerodynamic characteristic:



### Performance Data:

1~230V 50/60Hz  
 $P_1 = 235 / 320W$   
 $n = 1400 / 1600min^{-1}$   
 $I = 1,15 / 1,40A$   
 $t_R = 50^\circ C$   
 $L_{wa} = 70 / 73dB(A)$   
 $C = 6,3\mu F / 450V$   
 Connection: terminal box  
 Ins.Cl. F  
 IP54

### Notes:

Fan characteristic measured in short bell mouth with guard grill

### R11\_-4225\_-4M-5715 Fan with wall plate

#### Airflow

#### Direction Type:

»S« R11P-4225A-4M-5715  
 »B« R11P-4225P-4M-5715

Available on request

### Fan with guard grill

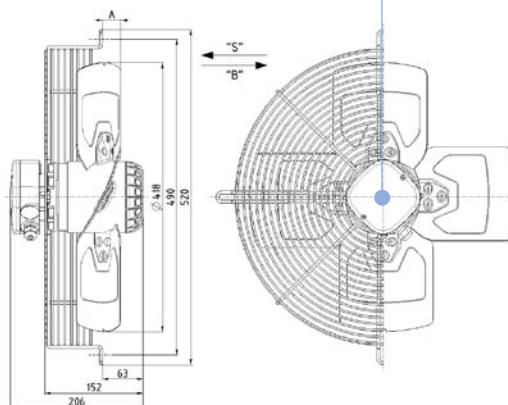
#### Airflow

#### Direction Type:

»S« R11R-4225A-4M-5715  
 »B« R11R-4225P-4M-5715

#### Code:

0311-4-0265  
 0311-4-0266



»S« Dimension A = 33 mm  
 »B« Dimension A = 48 mm

**Weight:**  
 6,3 kg

### Fan without guard grill

#### Airflow

#### Direction Type:

»S« R11E-4225A-4M-5715  
 »B« R11E-4225P-4M-5715

Available on request

**Fan with wall plate****Airflow****Direction**

»S«

**Type:**

R11P-42EFA-6M-5727

Available on request

R11\_-42EFA-6M-5727

**Diameter:** 420 mm**Fan with guard grill****Airflow****Direction**

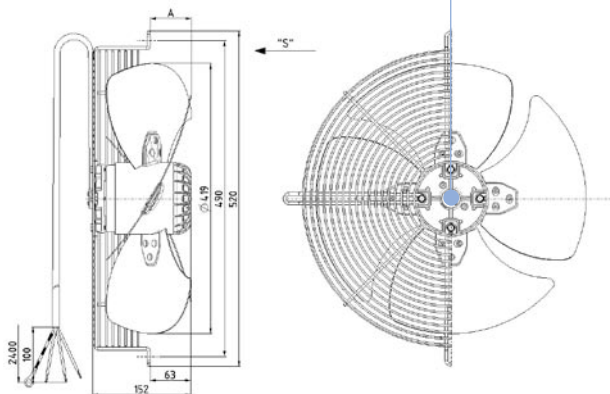
»S«

**Type:**

R11R-42EFA-6M-5727

**Code:**

0311-4-0151



»S« Dimension A = 43 mm

»B« Dimension A = 57 mm

**Weight:**

6,5 kg

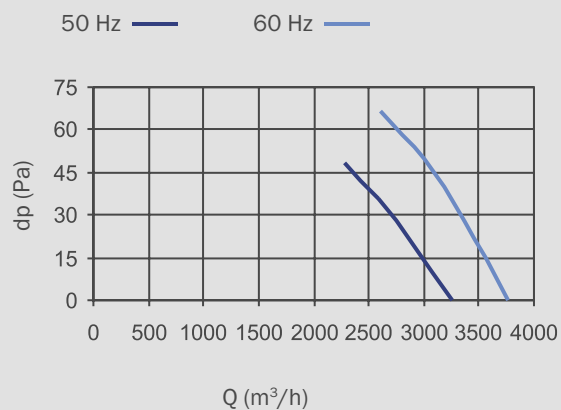
**Fan without guard grill****Airflow****Direction**

»S«

**Type:**

R11E-42EFA-6M-5727

Available on request

**Aerodynamic characteristic:****Performance Data:**

1~230V 50/60Hz  
 $P_1 = 145 / 205W$   
 $n = 940 / 1100\text{min}^{-1}$   
 $I = 0,67 / 0,90A$   
 $t_R = 60^\circ C$   
 $L_{wa} = 64 / 68\text{dB(A)}$   
 $C = 6,3\mu F / 450V$   
 Connection: cable  
 Ins.Cl. F  
 IP54

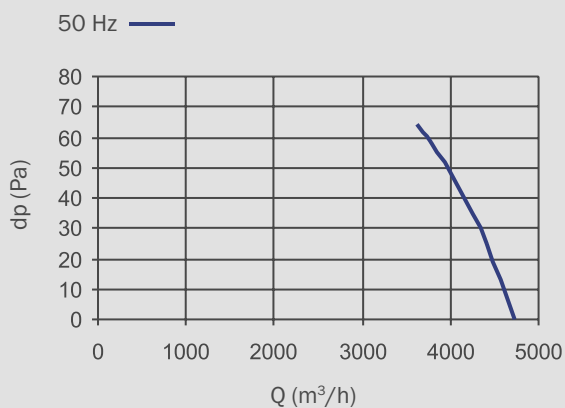
**Notes:**

Fan characteristic measured in short bell mouth with guard grill



**Diameter:** 450 mm

### Aerodynamic characteristic:



### Performance Data:

1~230V 50Hz

$P_1 = 240W$

$n = 1320\text{min}^{-1}$

$I = 1,1A$

$t_R = 50^\circ\text{C}$

$L_{wa} = 72\text{dB(A)}$

$C = 6,3\mu\text{F} / 450V$

Connection: terminal box

Ins.Cl. F

IP54

### Notes:

Fan characteristic measured in short bell mouth with guard grill

### R11\_-4525\_-4M-5135 Fan with wall plate

#### Airflow

#### Direction Type:

»S«

R11P-4525A-4M-5135

»B«

R11P-4525P-4M-5135

Available on request

### R11R\_-4525A-4M-5135 Fan with guard grill

#### Airflow

#### Direction Type:

»S«

R11R-4525A-4M-5135

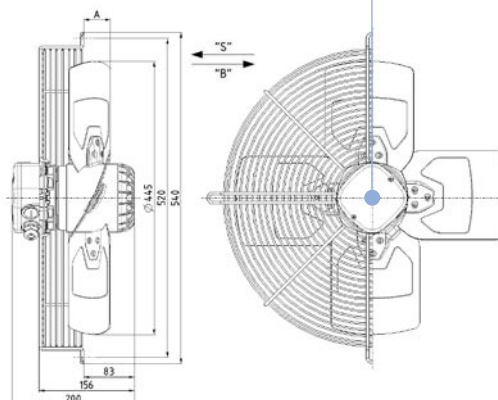
»B«

R11R-4525P-4M-5135

#### Code:

0311-4-0139

0311-4-0138



»S« Dimension A = 43 mm

»B« Dimension A = 57 mm

#### Weight:

6,3 kg

### R11E\_-4525A-4M-5135 Fan without guard grill

#### Airflow

#### Direction Type:

»S«

R11E-4525A-4M-5135

»B«

R11E-4525P-4M-5135

Available on request

**Fan with wall plate****Airflow****Direction****Type:**

»S« R11P-4530A-4M-5749  
 »B« R11P-4530P-4M-5749

Available on request

R11\_-4530\_-4M-5749



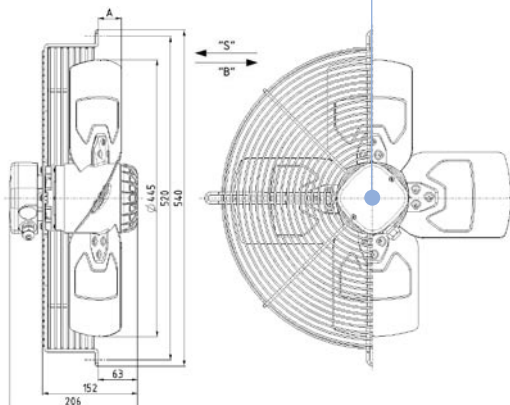
**Diameter:** 450 mm

**Fan with guard grill****Airflow****Direction****Type:**

»S« R11R-4530A-4M-5749  
 »B« R11R-4530P-4M-5749

**Code:**

0311-4-0240  
 0311-4-0270



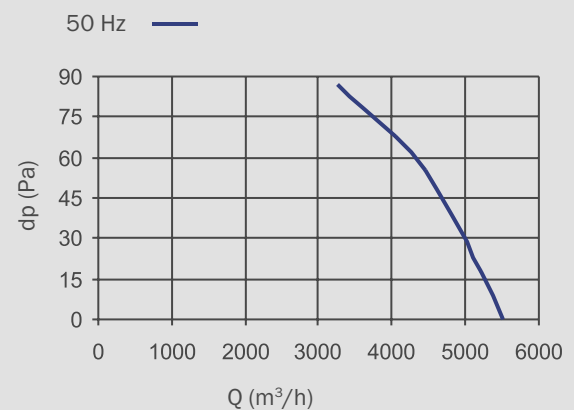
»S« Dimension A = 37 mm  
 »B« Dimension A = 51 mm

**Weight:**  
 6,3 kg

**Fan without guard grill****Airflow****Direction****Type:**

»S« R11E-4530A-4M-5749  
 »B« R11E-4530P-4M-5749

Available on request

**Aerodynamic characteristic:****Performance Data:**

1~230V 50Hz

$P_1 = 310W$

$n = 1270\text{min}^{-1}$

$I = 1,4A$

$t_R = 55^\circ C$

$C = 10\mu F / 450V$

$L_{wa} = 74\text{dB(A)}$

Connection: terminal box

Ins.Cl. F

IP54

**Notes:**

Fan characteristic measured in short bell mouth with guard grill



**Diameter:** 450 mm

R11\_-4525\_-4T-5136

### Fan with wall plate

#### Airflow

#### Direction Type:

»S«

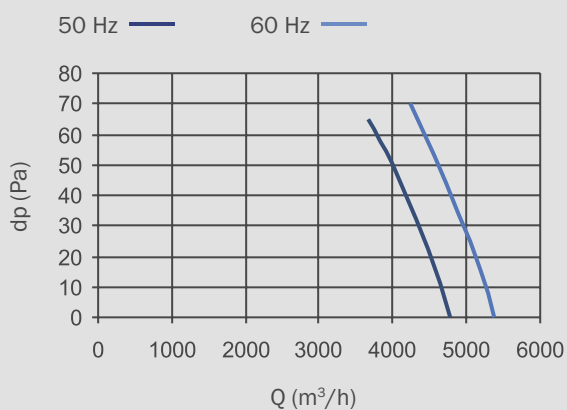
R11P-4525A-4T-5136

»B«

R11P-4525P-4T-5136

Available on request

### Aerodynamic characteristic:



### Performance Data:

3~230 / 400V 50/60Hz

$P_1 = 215 / 305W$

$n = 1315 / 1470\text{min}^{-1}$

$I = 0,5 / 0,53A$

$t_R = 70^\circ\text{C}$

$L_{wa} = 75 / 72\text{dB(A)}$

Connection: terminal box

Ins.Cl. F

IP54

### Notes:

Fan characteristic measured in short bell mouth with guard grill

### Fan with guard grill

#### Airflow

#### Direction Type:

»S«

R11R-4525A-4T-5136

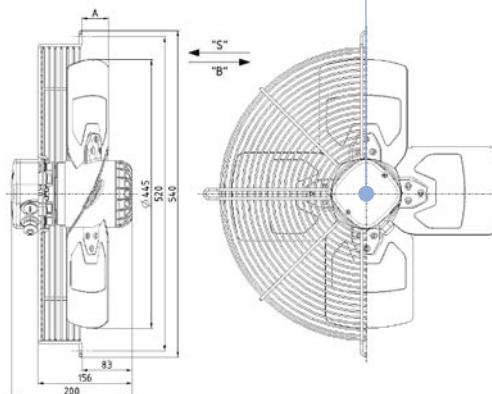
»B«

R11R-4525P-4T-5136

#### Code:

0311-4-0117

0311-4-0082



»S« Dimension A = 43 mm

»B« Dimension A = 57 mm

#### Weight:

6,3 kg

### Fan without guard grill

#### Airflow

#### Direction Type:

»S«

R11E-4525A-4T-5136

»B«

R11E-4525P-4T-5136

Available on request

**Fan with wall plate****Airflow****Direction****Type:**

»S« R13P-4523A-4M-5009

»B« R13P-4523P-4M-5009

Available on request

R13\_-4523\_-4M-5009

**Diameter:** 450 mm**Fan with guard grill****Airflow****Direction****Type:**

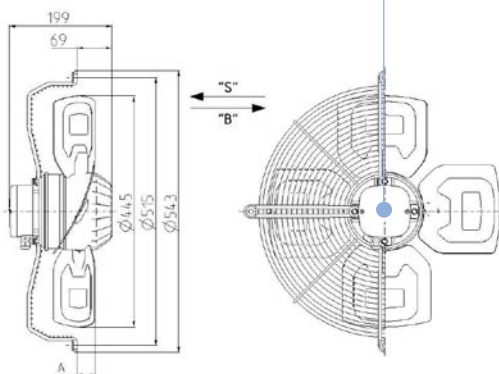
»S« R13R-4523A-4M-5009

»B« R13R-4523P-4M-5009

**Code:**

0313-4-0168

0313-4-0171



»S« Dimension A = 31 mm

»B« Dimension A = 54 mm

**Weight:**

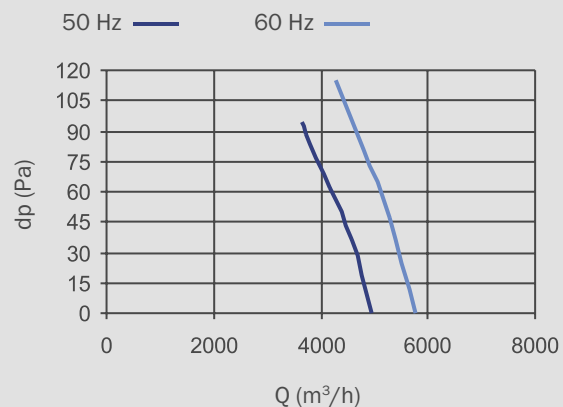
10 kg

**Fan without guard grill****Airflow****Direction****Type:**

»S« R13E-4523A-4M-5009

»B« R13E-4523P-4M-5009

Available on request

**Aerodynamic characteristic:****Performance Data:**

1~230V 50/60Hz

 $P_1 = 280 / 430W$  $n = 1420 / 1640\text{min}^{-1}$  $I = 1,4 / 1,85A$  $t_R = 65^\circ C$  $L_{wa} = 72 / 76\text{dB(A)}$  $C = 8\mu F / 400V$ 

Connection: terminal box

Ins.Cl. F

IP54

**Notes:**

Fan characteristic measured in short bell mouth with guard grill



**Diameter:** 450 mm

R13\_-4525\_-4M-5009

### Fan with wall plate

#### Airflow

#### Direction Type:

»S«

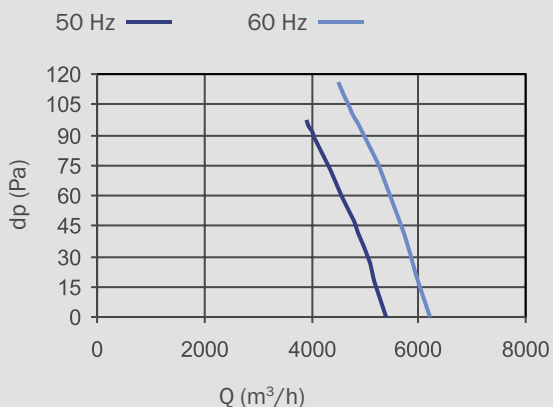
R13P-4525A-4M-5009

»B«

R13P-4525P-4M-5009

Available on request

### Aerodynamic characteristic:



### Performance Data:

1~230V 50/60Hz

$P_1 = 310 / 460W$

$n = 1410 / 1630min^{-1}$

$I = 1,4 / 2,0A$

$t_R = 70^\circ C$

$L_{wa} = 74 / 79dB(A)$

$C = 8uF / 450V$

Connection: terminal box

Ins.Cl. F

IP54

### Notes:

Fan characteristic measured in short bell mouth with guard grill

### Fan with guard grill

#### Airflow

#### Direction Type:

»S«

R13R-4525A-4M-5009

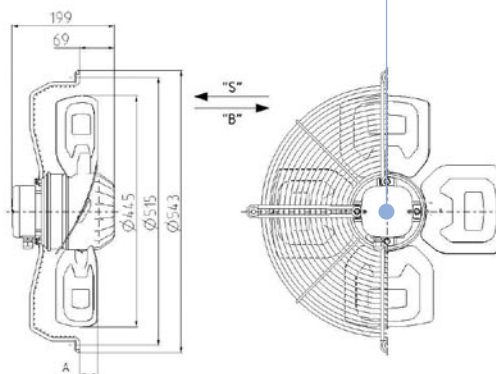
»B«

R13R-4525P-4M-5009

#### Code:

0313-4-0003

0313-4-0082



»S« Dimension A = 35 mm

»B« Dimension A = 57 mm

#### Weight:

10 kg

### Fan without guard grill

#### Airflow

#### Direction Type:

»S«

R13E-4525A-4M-5009

»B«

R13E-4525P-4M-5009

Available on request

**Fan with wall plate****Airflow****Direction Type:**

»S« R13P-4530A-4M-7039

»B« R13P-4530P-4M-7039

Available on request

R13\_-4530\_-4M-7039

**Diameter:** 450 mm**Fan with guard grill****Airflow****Direction Type:**

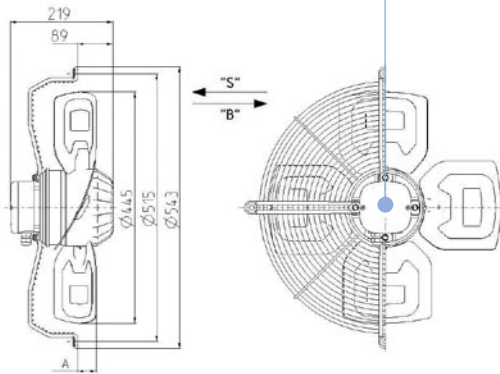
»S« R13R-4530A-4M-7039

»B« R13R-4530P-4M-7039

**Code:**

0313-4-0178

0313-4-0166



»S« Dimension A = 43 mm

»B« Dimension A = 65 mm

**Weight:**

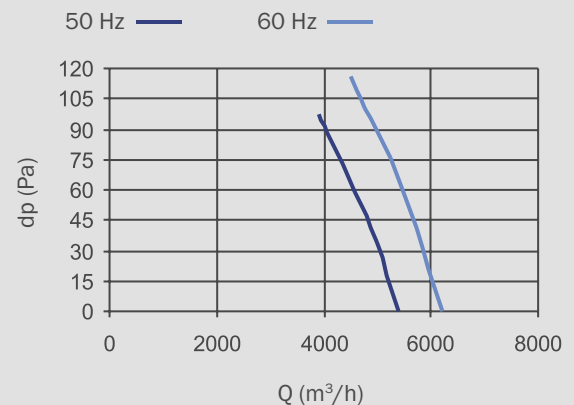
12,1 kg

**Fan without guard grill****Airflow****Direction Type:**

»S« R13E-4530A-4M-7039

»B« R13E-4530P-4M-7039

Available on request

**Aerodynamic characteristic:****Performance Data:**

1~230V 50/60Hz

 $P_1 = 375 / 570W$  $n = 1390 / 1570\text{min}^{-1}$  $I = 1,7 / 2,5A$  $t_R = 60^\circ C$ 

Lwa = 76 / 81dB(A)

C = 10uF / 400V

Connection: terminal box

Ins.Cl. F

IP54

**Notes:**

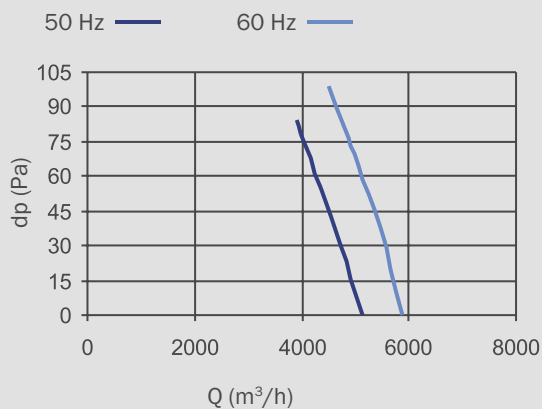
Fan characteristic measured in short bell mouth with guard grill





**Diameter:** 450 mm

### Aerodynamic characteristic:



### Performance Data:

3~230/400V 50/60Hz

$P_1 = 290 / 410W$

$n = 1380 / 1560\text{min}^{-1}$

$I = 1,5 / 0,90A$

$t_R = 65^\circ C$

$L_{wa} = 72 / 78\text{dB(A)}$

Connection: Terminal box

Ins.Cl. F

IP54

### Notes:

Fan characteristic measured in short bell mouth with guard grill

R13\_-4525\_-4T-3529

### Fan with wall plate

#### Airflow

#### Direction

- »S«
- »B«

#### Type:

- R13P-4525A-4T-3529
- R13P-4525P-4T-3529

Available on request

### Fan with guard grill

#### Airflow

#### Direction

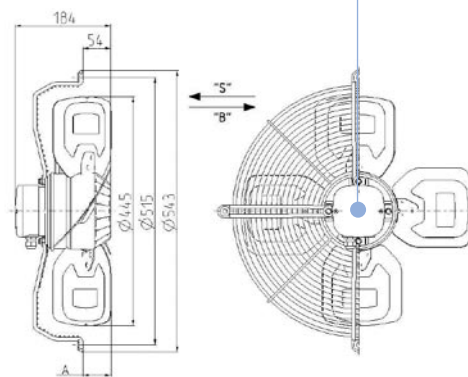
- »S«
- »B«

#### Type:

- R13R-4525A-4T-3529
- R13R-4525P-4T-3529

#### Code:

- 0313-4-0138
- 0313-4-0059



»S« Dimension A = 52 mm

»B« Dimension A = 57 mm

**Weight:**  
8,4 kg

### Fan without guard grill

#### Airflow

#### Direction

- »S«
- »B«

#### Type:

- R13E-4525A-4T-3529
- R13E-4525P-4T-3529

Available on request

**Fan with wall plate****Airflow****Direction****Type:**

»S« R13P-4530A-4T2-3500  
 »B« R13P-4530P-4T2-3500

Available on request

R13\_-4530\_-4T2-3500



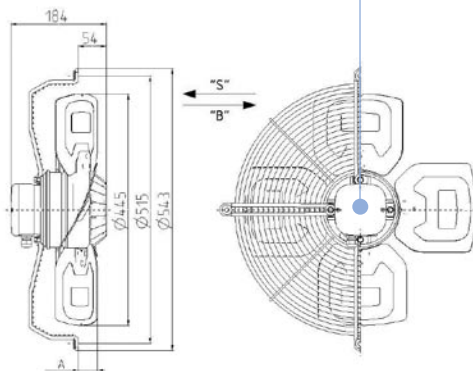
**Diameter:** 450 mm

**Fan with guard grill****Airflow****Direction****Type:**

»S« R13R-4530A-4T2-3500  
 »B« R13R-4530P-4T2-3500

**Code:**

0313-4-0000  
 0313-4-0008



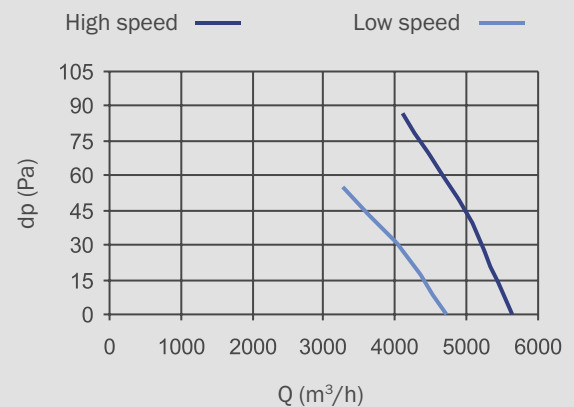
»S« Dimension A = 43 mm  
 »B« Dimension A = 65 mm

**Weight:**  
 8,4 kg

**Fan without guard grill****Airflow****Direction****Type:**

»S« R13E-4530A-4T2-3500  
 »B« R13E-4530P-4T2-3500

Available on request

**Aerodynamic characteristic:****Performance Data:**

3~400V D/Y 50Hz  
 $P_1 = 360 / 220W$   
 $n = 1330 / 1070min^{-1}$   
 $I = 0,76 / 0,38A$   
 $t_r = 40^\circ C$   
 $L_{wa} = 78 / 71dB(A)$   
 Connection: terminal box  
 Ins.Cl. F  
 IP54

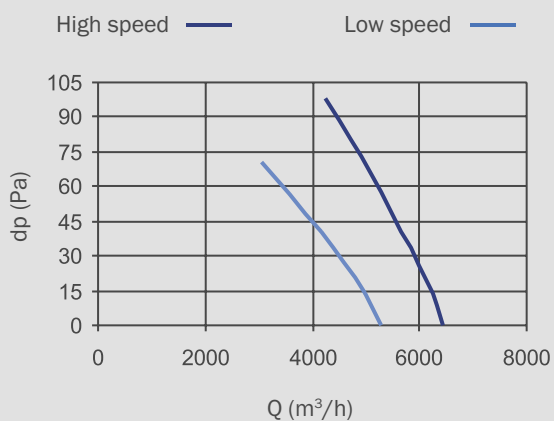
**Notes:**

Fan characteristic measured in short bell mouth with guard grill



**Diameter:** 450 mm

### Aerodynamic characteristic:



### Performance Data:

3~400V D/Y 50Hz  
 $P_1 = 465 / 330W$   
 $n = 1360 / 1100\text{min}^{-1}$   
 $I = 0,95 / 0,45A$   
 $t_R = 60^\circ C$   
 $Lwa = 80 / 73\text{dB(A)}$   
 Connection: terminal box  
 Ins.Cl. F  
 IP54

### Notes:

Fan characteristic measured in short bell mouth with guard grill

R13\_-4535\_-4T2-5004

### Fan with wall plate

#### Airflow

#### Direction

»S«  
 »B«

#### Type:

R13P-4535A-4T2-5004  
 R13P-4535P-4T2-5004

Available on request

### Fan with guard grill

#### Airflow

#### Direction

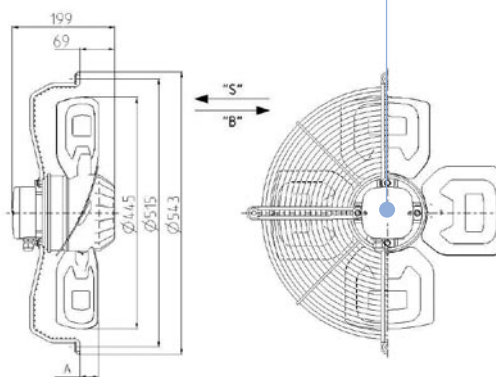
»S«  
 »B«

#### Type:

R13R-4535A-4T2-5004  
 R13R-4535P-4T2-5004

#### Code:

0313-4-0004  
 0313-4-0002



»S« Dimension A = 52 mm  
 »B« Dimension A = 71 mm

**Weight:**  
 10 kg

### Fan without guard grill

#### Airflow

#### Direction

»S«  
 »B«

#### Type:

R13E-4535A-4T2-5004  
 R13E-4535P-4T2-5004

Available on request

**Fan with wall plate****Airflow****Direction****Type:**

- »S« R13P-4530A-6M-3532
- »B« R13P-4530P-6M-3532

Available on request

R13\_-4530\_-6M-3532



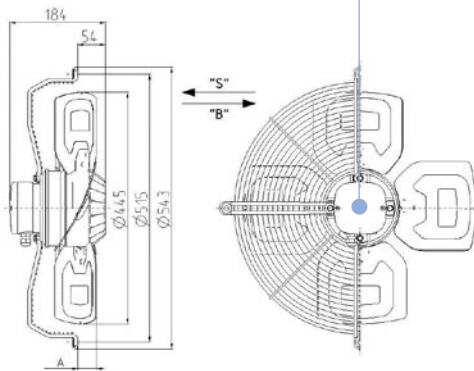
**Diameter:** 450 mm

**Fan with guard grill****Airflow****Direction****Type:**

- »S« R13R-4530A-6M-3532
- »B« R13R-4530P-6M-3532

**Code:**

- 0313-4-0075
- 0313-4-0067



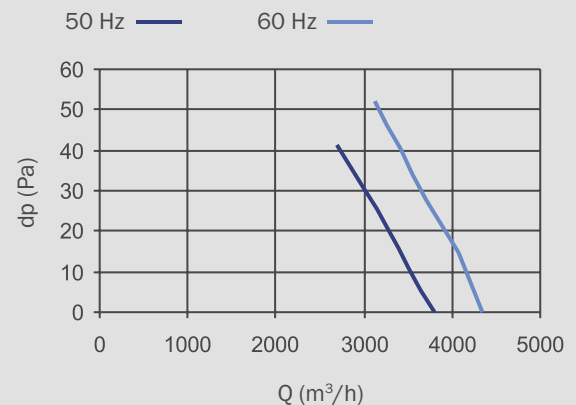
- »S« Dimension A = 43 mm
- »B« Dimension A = 71mm

**Weight:**  
8,4 kg

**Fan without guard grill****Airflow****Direction****Type:**

- »S« R13E-4530A-6M-3532
- »B« R13E-4530P-6M-3532

Available on request

**Aerodynamic characteristic:****Performance Data:**

1~230V 50/60Hz  
 $P_1 = 135 / 175W$   
 $n = 900 / 1030min^{-1}$   
 $I = 0,63 / 0,76A$   
 $t_R = 60^\circ C$   
 $L_{wa} = 68 / 72dB(A)$   
 $C = 5\mu F / 450V$   
 Connection: terminal box  
 Ins.Cl. F  
 IP54

**Notes:**

Fan characteristic measured in short bell mouth with guard grill



**Diameter:** 450 mm

R13\_-4535\_-6M-5027

### Fan with wall plate

#### Airflow

#### Direction Type:

»S«

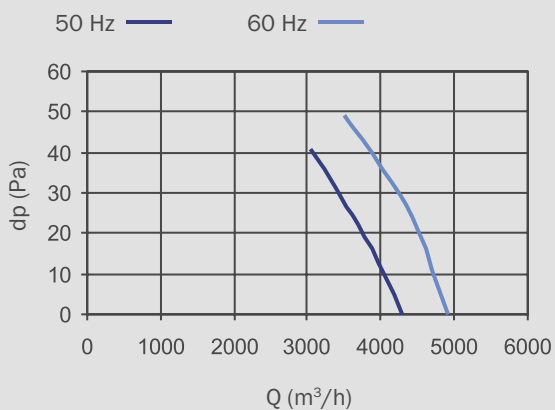
R13P-4535A-6M-5027

»B«

R13P-4535P-6M-5027

Available on request

### Aerodynamic characteristic:



### Performance Data:

1~230V 50/60Hz

$P_1 = 195 / 240W$

$n = 910 / 1040\text{min}^{-1}$

$I = 1,0 / 1,05A$

$t_R = 50^\circ C$

$L_{wa} = 69 / 73\text{dB(A)}$

$C = 6,3\mu F / 450V$

Connection: terminal box

Ins.Cl. F

IP54

### Notes:

Fan characteristic measured in short bell mouth with guard grill

### Fan with guard grill

#### Airflow

#### Direction Type:

»S«

R13R-4535A-6M-5027

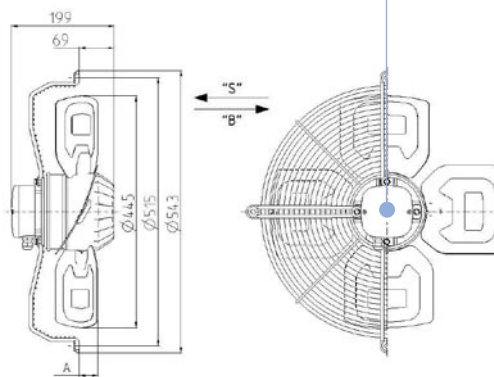
»B«

R13R-4535P-6M-5027

#### Code:

0313-4-0045

0313-4-0201



»S« Dimension A = 52 mm

»B« Dimension A = 71 mm

#### Weight:

10 kg

### Fan without guard grill

#### Airflow

#### Direction Type:

»S«

R13E-4535A-6M-5027

»B«

R13E-4535P-6M-5027

Available on request

**Fan with wall plate****Airflow****Direction****Type:**

»S«

R13P-4530A-6T2-3525

»B«

R13P-4530P-6T2-3525

Available on request

R13\_-4530\_-6T2-3525

**Diameter:** 450 mm**Fan with guard grill****Airflow****Direction****Type:**

»S«

R13R-4530A-6T2-3525

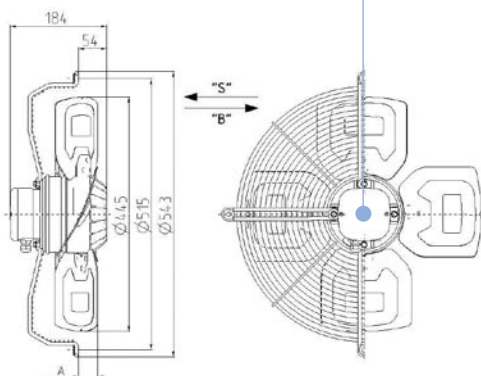
»B«

R13R-4530P-6T2-3525

**Code:**

0313-4-0037

0313-4-0112



»S« Dimension A = 43 mm

»B« Dimension A = 65 mm

**Weight:**

8,4 kg

**Fan without guard grill****Airflow****Direction****Type:**

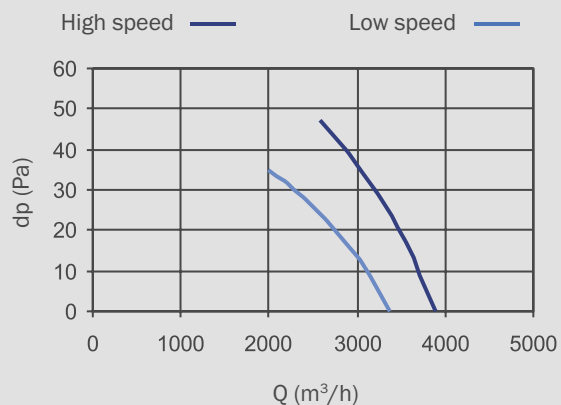
»S«

R13E-4530A-6T2-3525

»B«

R13E-4530P-6T2-3525

Available on request

**Aerodynamic characteristic:****Performance Data:**

3~400V D/Y 50Hz

 $P_1 = 120 / 85W$  $n = 915 / 770\text{min}^{-1}$  $I = 0,28 / 0,14A$  $t_R = 70^\circ C$  $L_{wa} = 68 / 63\text{dB(A)}$ 

Connection: terminal box

Ins.Cl. F

IP54

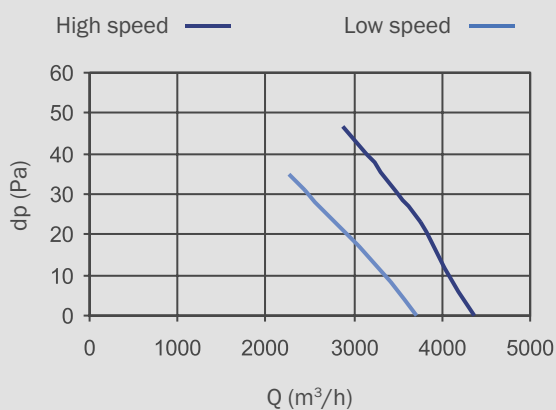
**Notes:**

Fan characteristic measured in short bell mouth with guard grill



**Diameter:** 450 mm

### Aerodynamic characteristic:



### Performance Data:

3~400V D/Y 50Hz

$P_1 = 160 / 110W$

$n = 915 / 765\text{min}^{-1}$

$I = 0,37 / 0,19A$

$t_R = 70^\circ\text{C}$

$L_{wa} = 69 / 64\text{dB(A)}$

Connection: terminal box

Ins.Cl. F

IP54

### Notes:

Fan characteristic measured in short bell mouth with guard grill

R13\_-4535\_-6T2-3526

### Fan with wall plate

#### Airflow

#### Direction

»S«

»B«

#### Type:

R13P-4535A-6T2-3526

R13P-4535P-6T2-3526

Available on request

### Fan with guard grill

#### Airflow

#### Direction

»S«

»B«

#### Type:

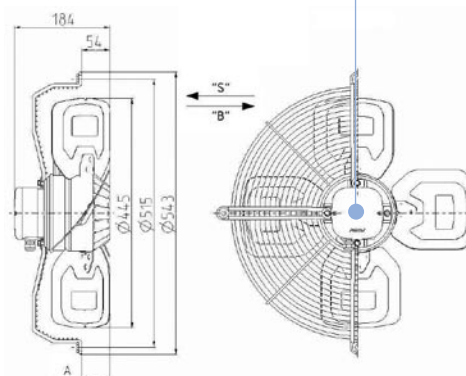
R13R-4535A-6T2-3526

R13R-4535P-6T2-3526

#### Code:

0313-4-0143

0313-4-0102



»S« Dimension A = 52 mm

»B« Dimension A = 71 mm

#### Weight:

8,4 kg

### Fan without guard grill

#### Airflow

#### Direction

»S«

»B«

R13E-4535A-6T2-3526

R13E-4535P-6T2-3526

Available on request

**Fan with wall plate****Airflow****Direction****Type:**

»S« R13P-5025A-4M-5009

»B« R13P-5025P-4M-5009

Available on request

R13\_-5025\_-4M-5009

**Diameter:** 500 mm**Fan with guard grill****Airflow****Direction****Type:**

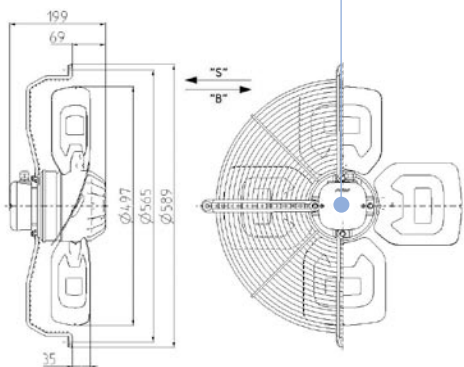
»S« R13R-5025A-4M-5009

»B« R13R-5025P-4M-5009

**Code:**

0313-4-0073

0313-4-0222



»S« Dimension A = 35 mm

»B« Dimension A = 57 mm

**Weight:**

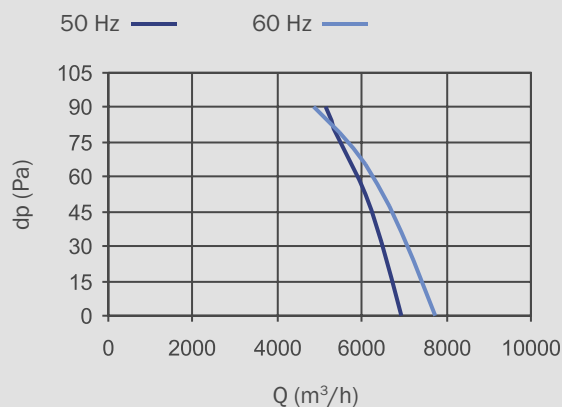
10,4 kg

**Fan without guard grill****Airflow****Direction****Type:**

»S« R13E-5025A-4M-5009

»B« R13E-5025P-4M-5009

Available on request

**Aerodynamic characteristic:****Performance Data:**

1~230V 50/60Hz

 $P_1 = 440 / 645W$  $n = 1340 / 1450\text{min}^{-1}$  $I = 2,0 / 2,9A$  $t_R = 70^\circ C$  $L_{wa} = 78 / 83\text{dB(A)}$  $C = 8\mu F / 450V$ 

Connection: terminal box

Ins.Cl. F

IP54

**Notes:**

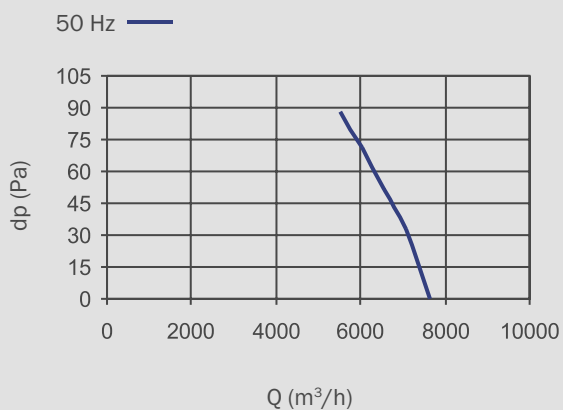
Fan characteristic measured in short bell mouth with guard grill





**Diameter:** 500 mm

#### Aerodynamic characteristic:



#### Performance Data:

1~230V 50Hz

$P_1 = 545W$

$n = 1320\text{min}^{-1}$

$I = 2,4A$

$t_R = 70^\circ\text{C}$

$L_{wa} = 82\text{dB(A)}$

$C = 10\mu\text{F} / 450V$

Connection: terminal box

Ins.Cl. F

IP54

#### Notes:

Fan characteristic measured in short bell mouth with guard grill

R13\_5030\_4M-7012

#### Fan with wall plate

##### Airflow

##### Direction

»S«

»B«

##### Type:

R13P-5030A-4M-7012

R13P-5030P-4M-7012

Available on request

#### Fan with guard grill

##### Airflow

##### Direction

»S«

»B«

##### Type:

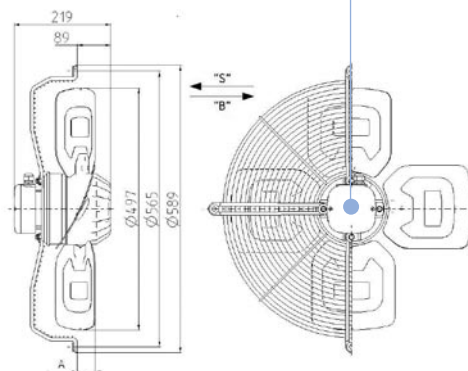
R13R-5030A-4M-7012

R13R-5030P-4M-7012

##### Code:

0313-4-0011

0313-4-0062



»S« Dimension A = 43 mm

»B« Dimension A = 65 mm

##### Weight:

12,5 kg

#### Fan without guard grill

##### Airflow

##### Direction

»S«

»B«

##### Type:

R13E-5030A-4M-7012

R13E-5030P-4M-7012

Available on request

**Fan with wall plate****Airflow****Direction****Type:**

»S« R13P-5025A-4T2-5004  
 »B« R13P-5025P-4T2-5004

Available on request

R13\_-5025\_-4T2-5004



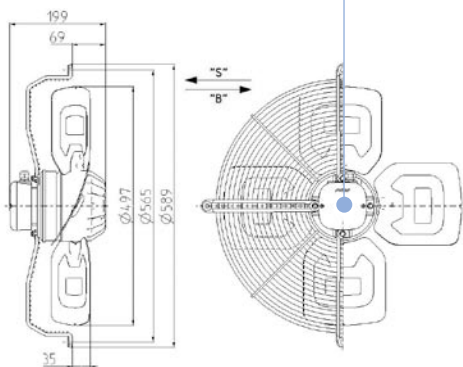
**Diameter:** 500 mm

**Fan with guard grill****Airflow****Direction****Type:**

»S« R13R-5025A-4T2-5004  
 »B« R13R-5025P-4T2-5004

**Code:**

0313-4-0137  
 0313-4-0158



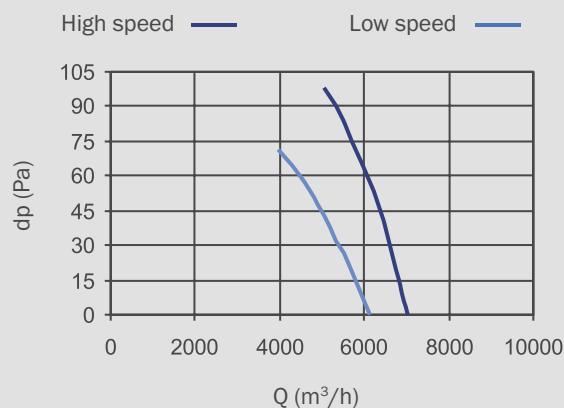
»S« Dimension A = 35 mm  
 »B« Dimension A = 57 mm

**Weight:**  
 10,4 kg

**Fan without guard grill****Airflow****Direction****Type:**

»S« R13E-5025A-4T2-5004  
 »B« R13E-5025P-4T2-5004

Available on request

**Aerodynamic characteristic:****Performance Data:**

3~400V D/Y 50Hz  
 $P_1 = 455 / 325W$   
 $n = 1380 / 1150\text{min}^{-1}$   
 $I = 0,95 / 0,53A$   
 $t_R = 50^\circ C$   
 $L_{wa} = 78 / 74\text{dB(A)}$   
 Connection: terminal box  
 Ins.Cl. F  
 IP54

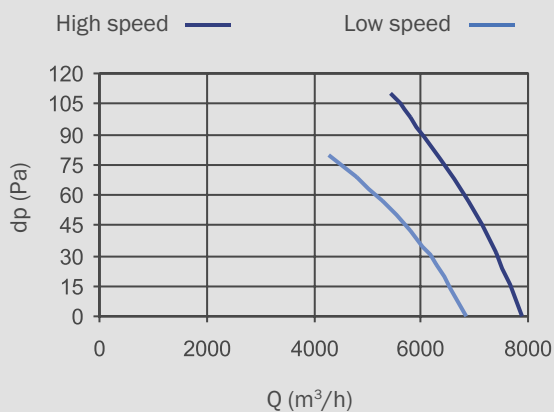
**Notes:**

Fan characteristic measured in short bell mouth with guard grill



**Diameter:** 500 mm

### Aerodynamic characteristic:



### Performance Data:

3~400V D/Y 50Hz  
 $P_1 = 560 / 410W$   
 $n = 1380 / 1170\text{min}^{-1}$   
 $I = 1,15 / 0,66A$   
 $t_R = 70^\circ C$   
 $L_{wa} = 81 / 75\text{dB(A)}$   
 Connection: terminal box  
 Ins.Cl. F  
 IP54

### Notes:

Fan characteristic measured in short bell mouth with guard grill

R13\_5030\_4T2-7002

### Fan with wall plate

#### Airflow

#### Direction

- »S«
- »B«

#### Type:

R13P-5030A-4T2-7002  
 R13P-5030P-4T2-7002

Available on request

### Fan with guard grill

#### Airflow

#### Direction

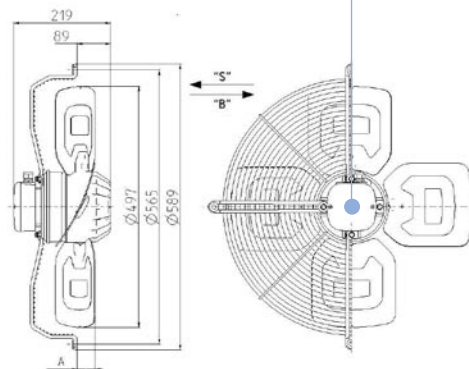
- »S«
- »B«

#### Type:

R13R-5030A-4T2-7002  
 R13R-5030P-4T2-7002

#### Code:

0313-4-0006  
 0313-4-0097



- »S« Dimension A = 43 mm
- »B« Dimension A = 65 mm

**Weight:**  
 12,5 kg

### Fan without guard grill

#### Airflow

#### Direction

- »S«
- »B«

#### Type:

R13E-5030A-4T2-7002  
 R13E-5030P-4T2-7002

Available on request





**Diameter:** 500 mm

R13\_-5035\_-6M-5027

### Fan with wall plate

#### Airflow

#### Direction

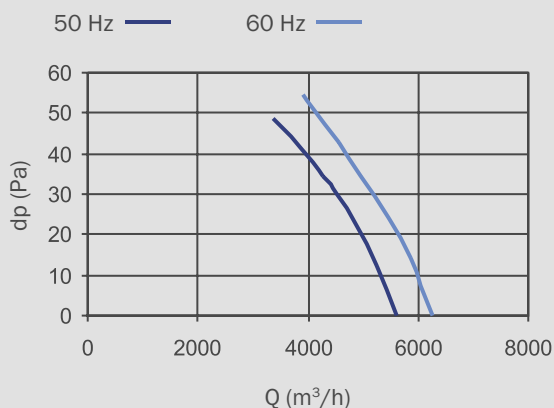
- »S«
- »B«

#### Type:

R13P-5035A-6M-5027  
R13P-5035P-6M-5027

Available on request

### Aerodynamic characteristic:



### Performance Data:

1~230V 50/60Hz

$P_1 = 255 / 335W$

$n = 870 / 960\text{min}^{-1}$

$I = 1,1 / 1,45A$

$t_R = 50^\circ C$

$L_{wa} = 72 / 76\text{dB(A)}$

$C = 8\mu F / 450V$

Connection: terminal box

Ins.Cl. F

IP54

### Notes:

Fan characteristic measured in short bell mouth with guard grill

### Fan with guard grill

#### Airflow

#### Direction

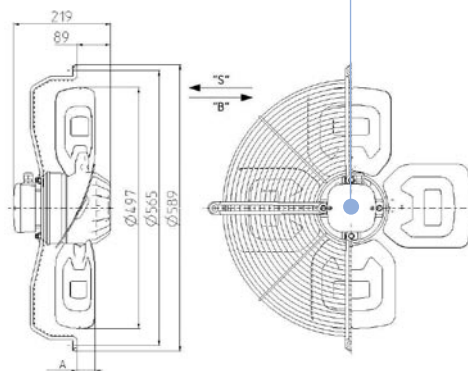
- »S«
- »B«

#### Type:

R13R-5035A-6M-5027  
R13R-5035P-6M-5027

#### Code:

0313-4-0047  
0313-4-0068



»S« Dimension A = 52 mm

»B« Dimension A = 71 mm

**Weight:**  
10,4 kg

### Fan without guard grill

#### Airflow

#### Direction

- »S«
- »B«

#### Type:

R13E-5035A-6M-5027  
R13E-5035P-6M-5027

Available on request

**Fan with wall plate****Airflow****Direction****Type:**

»S« R13P-5035A-6T2-5016  
 »B« R13P-5035P-6T2-5016

Available on request

R13\_-5035\_-6T2-5016



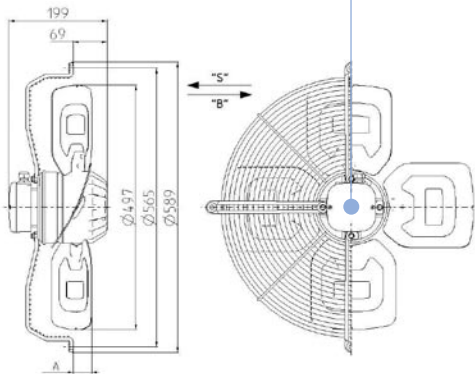
**Diameter:** 500 mm

**Fan with guard grill****Airflow****Direction****Type:**

»S« R13R-5035A-6T2-5016  
 »B« R13R-5035P-6T2-5016

**Code:**

0313-4-0127  
 0313-4-0089



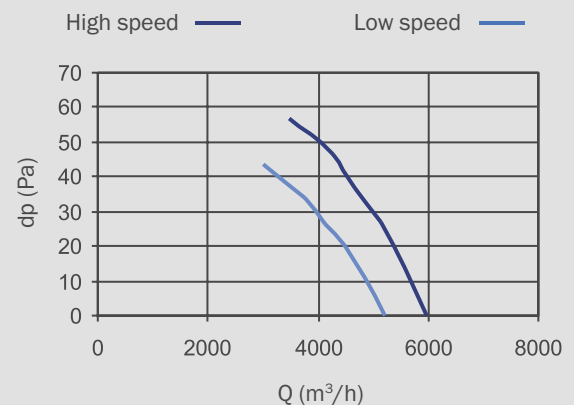
»S« Dimension A = 52 mm  
 »B« Dimension A = 71 mm

**Weight:**  
 10,4 kg

**Fan without guard grill****Airflow****Direction****Type:**

»S« R13E-5035A-6T2-5016  
 »B« R13E-5035P-6T2-5016

Available on request

**Aerodynamic characteristic:****Performance Data:**

3~400V D/Y 50Hz  
 $P_1 = 250 / 185W$   
 $n = 930 / 800min^{-1}$   
 $I = 0,65 / 0,32A$   
 $t_R = 60^{\circ}C$   
 $Lwa = 73 / 67dB(A)$   
 Connection: terminal box  
 Ins.Cl. F  
 IP54

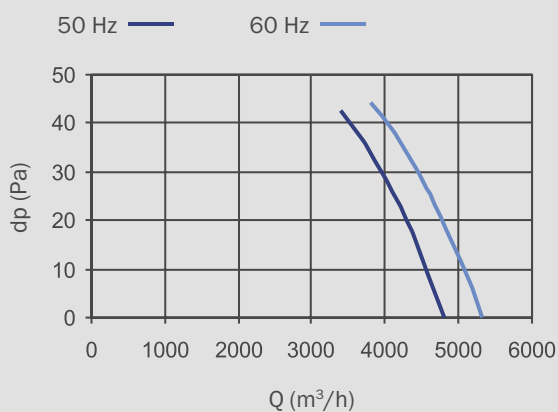
**Notes:**

Fan characteristic measured in short bell mouth with guard grill



**Diameter:** 500 mm

#### Aerodynamic characteristic:



#### Performance Data:

1~230V 50/60Hz  
 $P_1 = 180 / 220W$   
 $n = 890 / 980min^{-1}$   
 $I = 0,78 / 0,95A$   
 $t_R = 60 / 55^{\circ}C$   
 $L_{wa} = 71 / 75dB(A)$   
 $C = 6,3\mu F / 450V$   
 Connection: cable  
 Ins.Cl. F  
 IP54

#### Notes:

Fan characteristic measured in short bell mouth with guard grill

R11\_50EFA-6M-5727

#### Fan with wall plate

##### Airflow

##### Direction

»S«

##### Type:

R11P-50EFA-6M-5716

Available on request

#### Fan with guard grill

##### Airflow

##### Direction

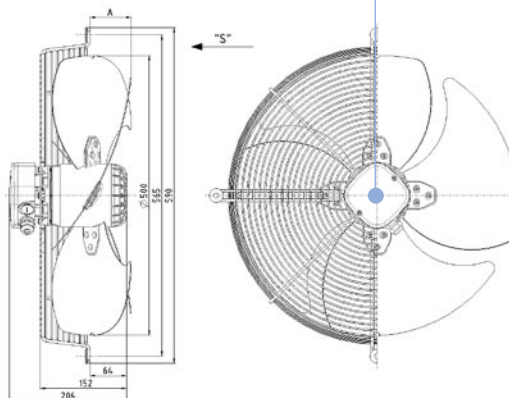
»S«

##### Type:

R11R-50EFA-6M-5716

##### Code:

0311-4-0115



**Weight:**  
6,8 kg

#### Fan without guard grill

##### Airflow

##### Direction

»S«

##### Type:

R11E-50EFA-6M-5716

Available on request

**Fan with wall plate****Airflow****Direction****Type:**

- »S« R13P-5625A-4T2-7002  
 »B« R13P-5625P-4T2-7002

Available on request

R13\_-5625\_-4T2-7002



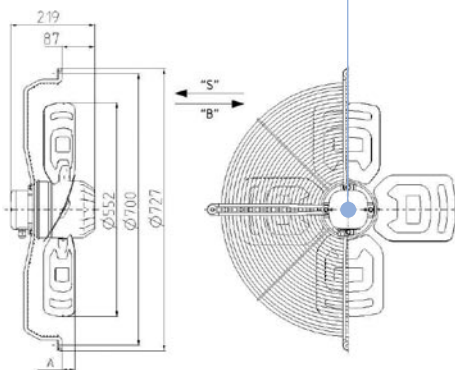
**Diameter:** 560 mm

**Fan with guard grill****Airflow****Direction****Type:**

- »S« R13R-5625A-4T2-7002  
 »B« R13R-5625P-4T2-7002

**Code:**

- 0313-4-0001  
 0313-4-0052



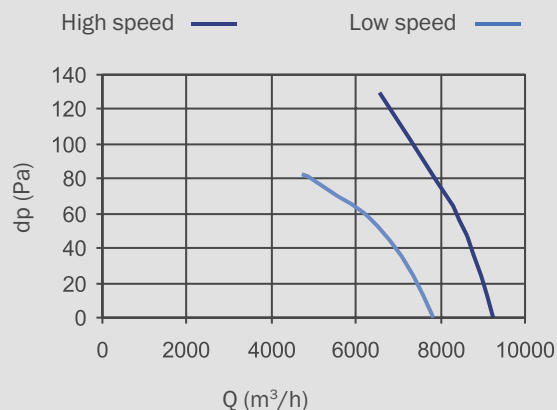
- »S« Dimension A = 35 mm  
 »B« Dimension A = 57 mm

**Weight:**  
 14 kg

**Fan without guard grill****Airflow****Direction****Type:**

- »S« R13E-5625A-4T2-7002  
 »B« R13E-5625P-4T2-7002

Available on request

**Aerodynamic characteristic:****Performance Data:**

3~400V D/Y 50Hz  
 $P_1 = 670 / 450W$   
 $n = 1360 / 1130\text{min}^{-1}$   
 $I = 1,3 / 0,73A$   
 $t_R = 60^\circ C$   
 $L_{wa} = 83 / 76\text{dB(A)}$   
 Connection: terminal box  
 Ins.Cl. F  
 IP54

**Notes:**

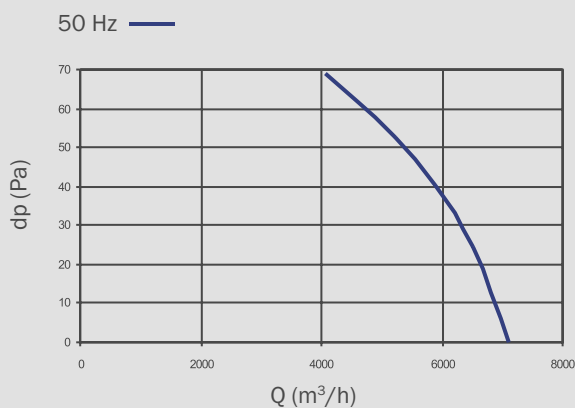
Fan characteristic measured in short bell mouth with guard grill





**Diameter:** 560 mm

### Aerodynamic characteristic:



### Performance Data:

1~230V 50Hz

$P_1 = 360W$

$n = 900\text{min}^{-1}$

$I = 1,65A$

$t_R = 50^\circ C$

$L_{wa} = 73\text{dB(A)}$

$C = 12,5\mu F / 450V$

Connection: terminal box

Ins.Cl. F

IP54

### Notes:

Fan characteristic measured in short bell mouth with guard grill

R13\_-5630\_-6M-7019

### Fan with wall plate

#### Airflow

#### Direction

»S«

»B«

#### Type:

R13P-5630A-6M-7019

R13P-5630P-6M-7019

Available on request

### Fan with guard grill

#### Airflow

#### Direction

»S«

»B«

#### Type:

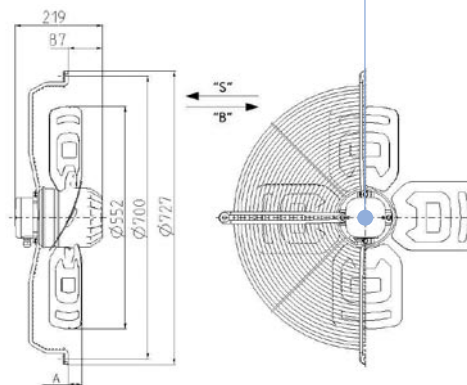
R13R-5630A-6M-7019

R13R-5630P-6M-7019

#### Code:

0313-4-0024

0313-4-0086



»S« Dimension A = 43 mm

»B« Dimension A = 65 mm

#### Weight:

14 kg

### Fan without guard grill

#### Airflow

#### Direction

»S«

»B«

#### Type:

R13E-5630A-6M-7019

R13E-5630P-6M-7019

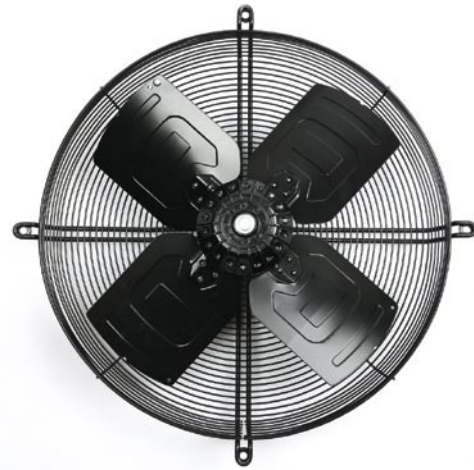
Available on request

**Fan with wall plate****Airflow****Direction****Type:**

- »S« R13P-5630A-6T2-5016  
 »B« R13P-5630P-6T2-5016

Available on request

R13\_-5630\_-6T2-5016



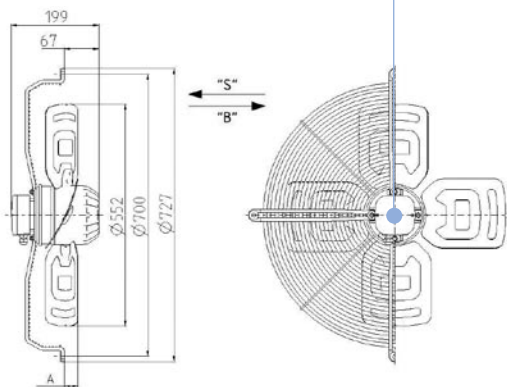
**Diameter:** 560 mm

**Fan with guard grill****Airflow****Direction****Type:**

- »S« R13R-5630A-6T2-5016  
 »B« R13R-5630P-6T2-5016

**Code:**

- 0313-4-0029  
 0313-4-0080



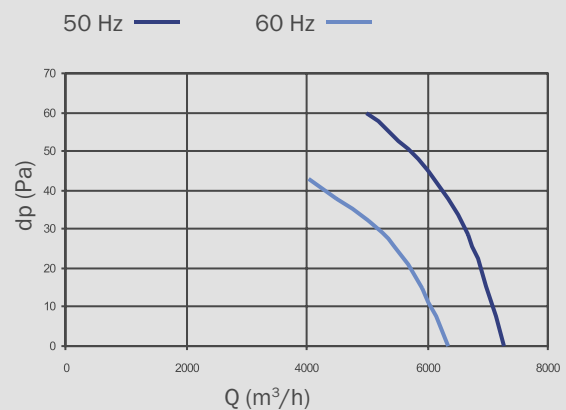
- »S« Dimension A = 43 mm  
 »B« Dimension A = 65 mm

**Weight:**  
 11,9 kg

**Fan without guard grill****Airflow****Direction****Type:**

- »S« R13E-5630A-6T2-5016  
 »B« R13E-5630P-6T2-5016

Available on request

**Aerodynamic characteristic:****Performance Data:**

3~400V D/Y 50Hz  
 $P_1 = 305 / 210W$   
 $n = 920 / 780min^{-1}$   
 $I = 0,7 / 0,36A$   
 $t_R = 60^\circ C$   
 $L_{wa} = 72 / 68dB(A)$   
 Connection: terminal box  
 Ins.Cl. F  
 IP54

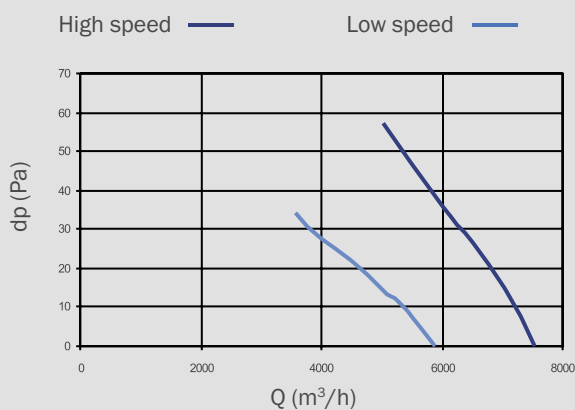
**Notes:**

Fan characteristic measured in short bell mouth with guard grill



**Diameter:** 560 mm

### Aerodynamic characteristic:



### Performance Data:

3~400V D/Y 50Hz

$P_1 = 345 / 215W$

$n = 870 / 660\text{min}^{-1}$

$I = 0,63 / 0,36A$

$t_R = 70^\circ C$

$L_{wa} = 74 / 67\text{dB(A)}$

Connection: terminal box

Ins.Cl. F

IP54

### Notes:

Fan characteristic measured in short bell mouth with guard grill

R13\_-5635\_-6T2-7021

### Fan with wall plate

#### Airflow

#### Direction

»S«

»B«

#### Type:

R13P-5635A-6T2-7021

R13P-5635P-6T2-7021

Available on request

### Fan with guard grill

#### Airflow

#### Direction

»S«

»B«

#### Type:

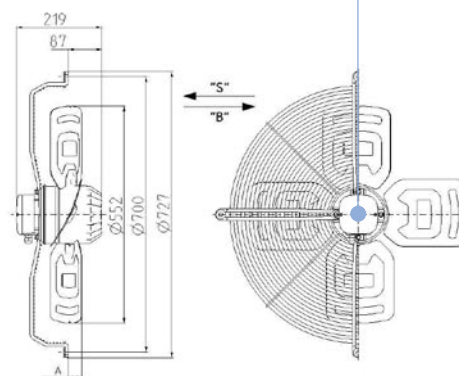
R13R-5635A-6T2-7021

R13R-5635P-6T2-7021

#### Code:

0313-4-0065

0313-4-0079



»S« Dimension A = 52 mm

»B« Dimension A = 71 mm

#### Weight:

14 kg

### Fan without guard grill

#### Airflow

#### Direction

»S«

»B«

R13E-5635A-6T2-7021

R13E-5635P-6T2-7021

Available on request





**Diameter:** 630 mm

R13\_-6330\_-6T2-7021

#### Fan with wall plate

##### Airflow

##### Direction

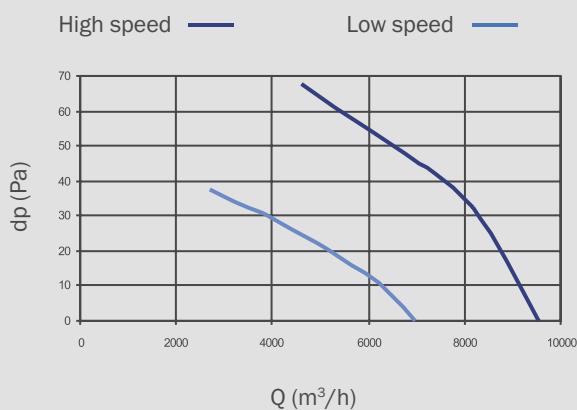
- »S«
- »B«

##### Type:

R13P-6330A-6T2-7021  
R13P-6330P-6T2-7021

Available on request

#### Aerodynamic characteristic:



#### Performance Data:

3~400V D/Y 50Hz

$P_1 = 390 / 225W$

$n = 840 / 590\text{min}^{-1}$

$I = 0,66 / 0,38A$

$t_R = 70^\circ C$

$L_{wa} = 78 / 69\text{dB(A)}$

Connection: terminal box

Ins.Cl. F

IP54

#### Notes:

Fan characteristic measured in short bell mouth with guard grill

#### Fan with guard grill

##### Airflow

##### Direction

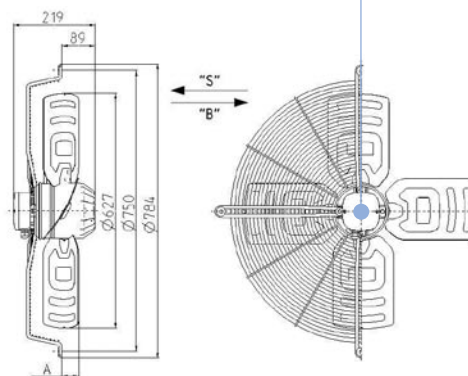
- »S«
- »B«

##### Type:

R13R-6330A-6T2-7021  
R13R-6330P-6T2-7021

##### Code:

0313-4-0050  
0313-4-0048



»S« Dimension A = 43 mm

»B« Dimension A = 65 mm

**Weight:**  
14,6 kg

#### Fan without guard grill

##### Airflow

##### Direction

- »S«
- »B«

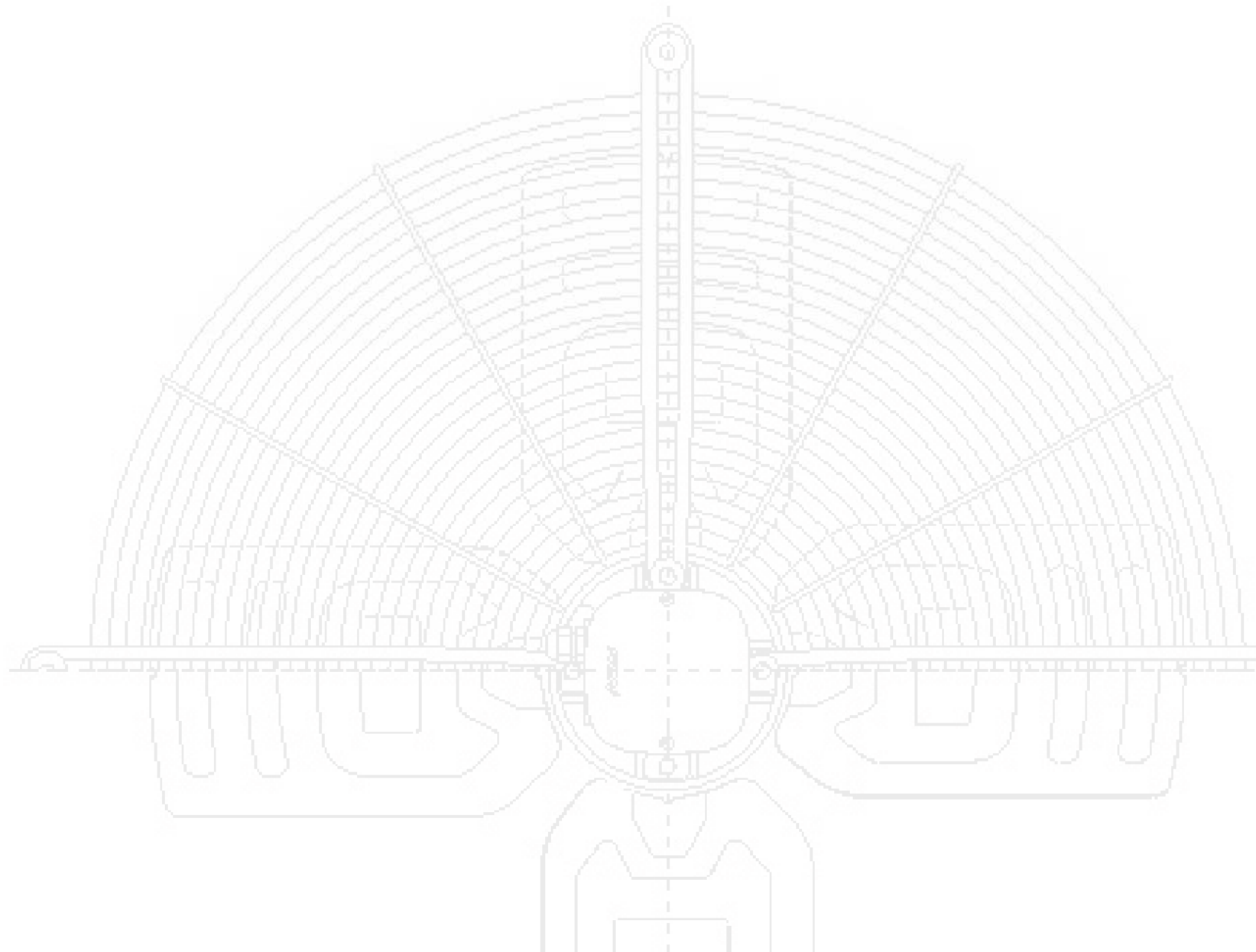
##### Type:

R13E-6330A-6T2-7021  
R13E-6330P-6T2-7021

Available on request









### Example of type key for Centrifugal Fans

#### **R09T-1945D-2M2-1511**

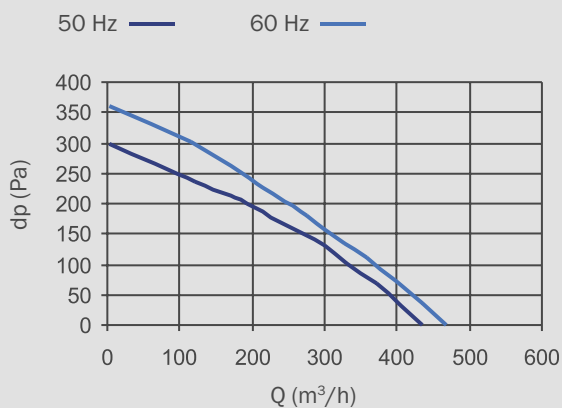
- R09** External rotor motor type
- T** Blade type (T-backward curved, C-forward curved)
- 19** Fan diameter x 10 (exact diameters are stated in drawings)
- 45** Blade width
- D** Direction of rotation
- 2** Number of poles
- M** Number of phases (M-single phase, T-three phase)
- 2** Number of speeds
- 42** Motor stack height
- 11** Electrical design



# Centrifugal Fans



R09\_-1945D-2M-1511

**Diameter:** 190 mm**Aerodynamic characteristic:****Performance Data:**

1~230V 50/60Hz

 $P_1 = 50 / 63\text{W}$  $n = 2400 / 2530\text{min}^{-1}$  $I = 0,21 / 0,27\text{A}$  $t_R = 50^\circ\text{C}$ 

Lwa = 60/ 62dB(A)

C = 2uF / 450V

Connection: cable

Ins.Cl. F

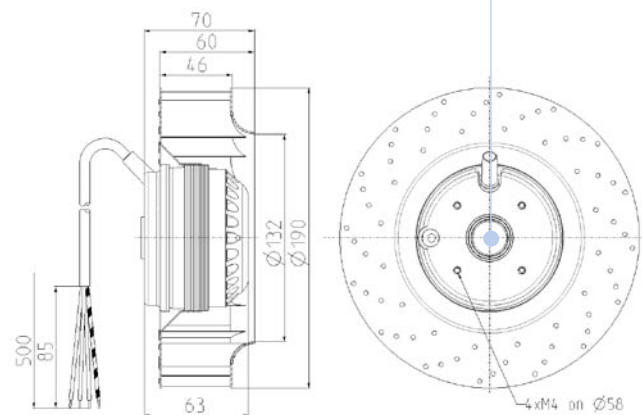
IP44

**Backward curved****Type:**

R09T-1945D-2M-1511

**Code:**

0309-4-0079

**Weight:**

1,4 kg

R09\_-2250D-2M-3510



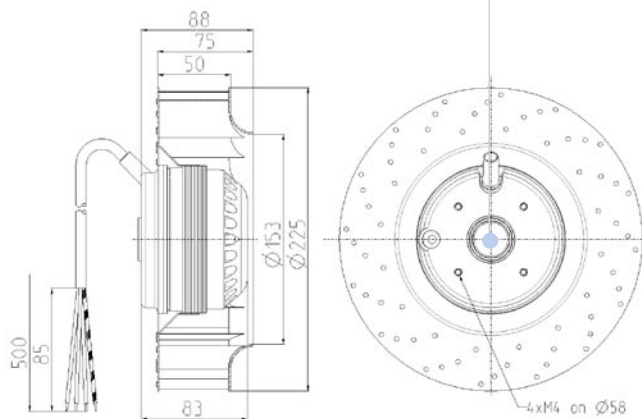
Diameter: 225 mm

**Backward curved****Type:**

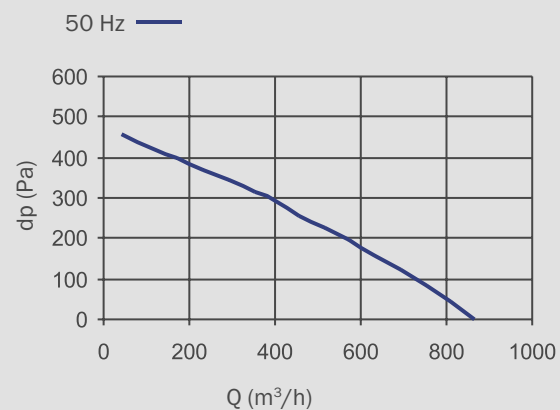
R09T-2250D-2M-3510

**Code:**

0309-4-0066

**Weight:**

2,5 kg

**Aerodynamic characteristic:****Performance Data:**

1~230V 50Hz

 $P_1 = 98\text{W}$  $n = 2450\text{min}^{-1}$  $I = 0,42\text{A}$  $t_R = 50^\circ\text{C}$  $L_{wa} = 70\text{dB(A)}$  $C = 3,15\mu\text{F} / 450\text{V}$ 

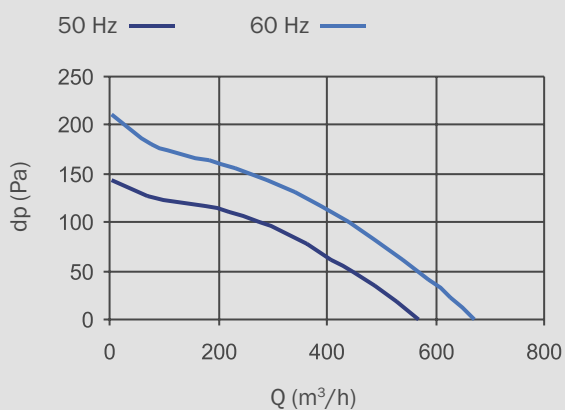
Connection: cable

Ins.Cl. F

IP44



R09\_-2263D-4M-2502

**Diameter:** 225 mm**Aerodynamic characteristic:****Performance Data:**

1~230V 50/60Hz

 $P_1 = 50 / 54\text{W}$  $n = 1390 / 1630\text{min}^{-1}$  $I = 0,24 / 0,24\text{A}$  $t_R = 50 / 70^\circ\text{C}$ 

Lwa = 64/ 68dB(A)

C = 1,5uF / 450V

Connection: cable

Ins.Cl. F

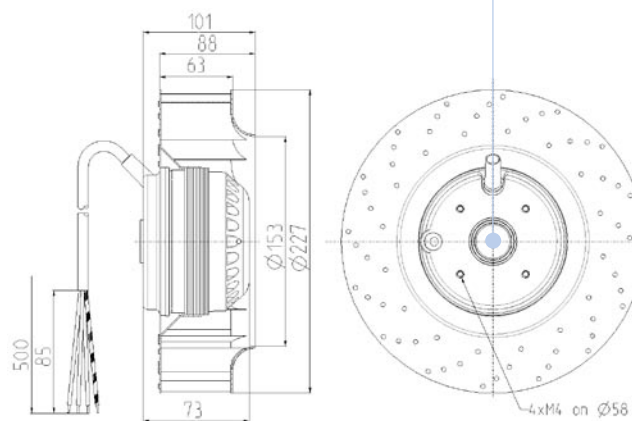
IP44

**Backward curved****Type:**

R09T-2263D-4M-2502

**Code:**

0309-4-0267

**Weight:**

2,3 kg

R09\_-2540D-2M-3510

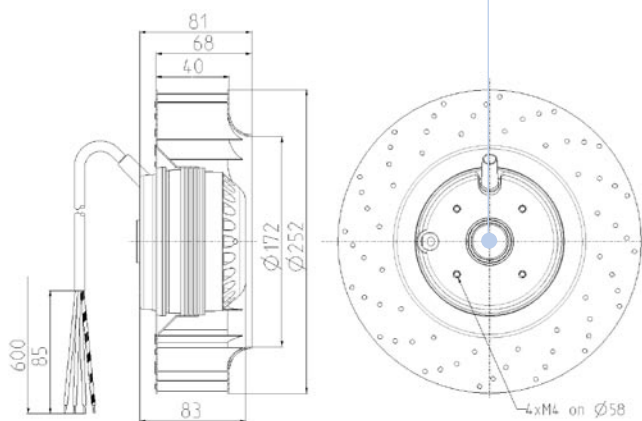


Diameter: 250 mm

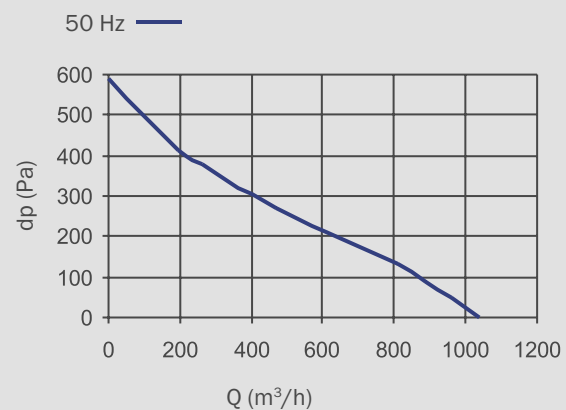
**Backward curved**

**Type:**  
R09T-2540D-2M-3510

**Code:**  
0309-4-0025



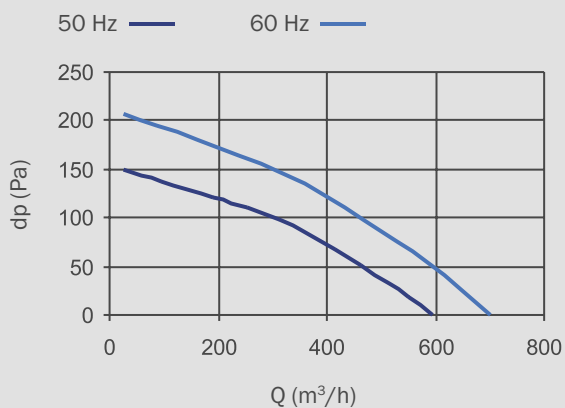
**Weight:**  
2,6 kg

**Aerodynamic characteristic:****Performance Data:**

1~230V 50Hz  
 $P_1 = 120W$   
 $n = 2350\text{min}^{-1}$   
 $I = 0,52A$   
 $t_R = 50^\circ C$   
 $L_{wa} = 72\text{dB(A)}$   
 $C = 4\mu F / 450V$   
 Connection: cable  
 Ins.Cl. F  
 IP44



R09\_-2540D-4M-2502

**Diameter:** 250 mm**Aerodynamic characteristic:****Performance Data:**

1~230V 50/60Hz

 $P_1 = 43 / 50\text{W}$  $n = 1380 / 1600\text{min}^{-1}$  $I = 0,20 / 0,21\text{A}$  $t_R = 45 / 50^\circ\text{C}$ 

Lwa = 65/ 68dB(A)

C = 1,5uF / 450V

Connection: cable

Ins.Cl. F

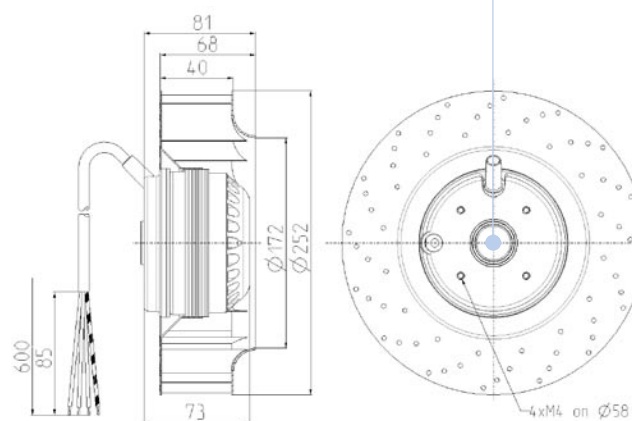
IP44

**Backward curved****Type:**

R09T-2540D-4M-2502

**Code:**

0309-4-0065

**Weight:**

2,1 kg

R09\_-2558D-4M-2502

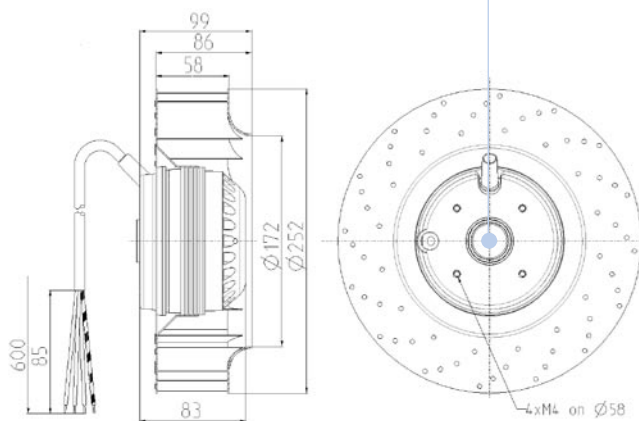


Diameter: 250 mm

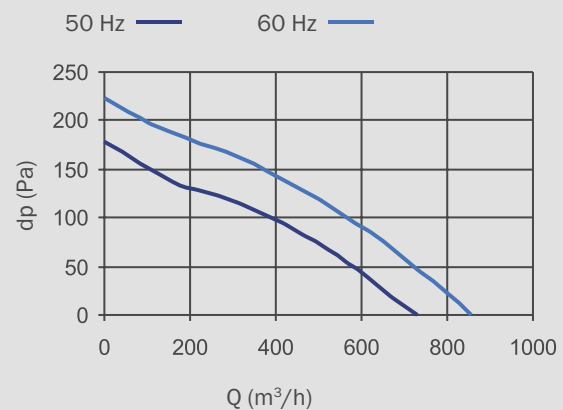
**Backward curved**

**Type:**  
R09T-3558D-4M-2502

**Code:**  
0309-4-0266



**Weight:**  
2,3 kg

**Aerodynamic characteristic:****Performance Data:**

1~230V 50/60Hz  
 $P_1 = 50 / 55W$   
 $n = 1360 / 1560\text{min}^{-1}$   
 $I = 0,24 / 0,24A$   
 $t_R = 50 / 70^\circ C$   
 $L_{wa} = 66 / 70\text{dB(A)}$   
 $C = 1,5\mu F / 450V$   
 Connection: cable  
 Ins.Cl. F  
 IP44





R09X-2M-1533

**Diameter:** 150 mm**Performance Data:**

1~230V 50Hz

 $P_1 = 28W$  $n = 2500 \text{ min}^{-1}$  $I = 0,12A$  $C = 1\mu F / 450V$ 

Connection: cable

Ins.Cl. F

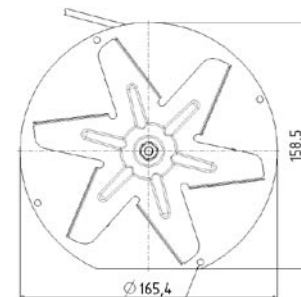
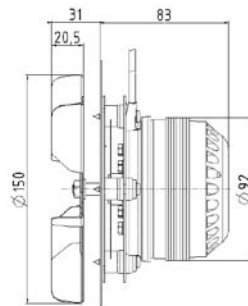
IP44

**Type:**

R09X-2M-1533

**Code:**

0309-4-0155



4xØ 4.4/90° on Ø 157.5

**Weight:**

1,9 kg

**Notes:**

On request, this fan is available also with Hall sensor.

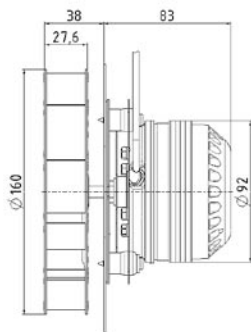
R09X-2M-1533



**Diameter:** 160 mm

**Type:**  
R09X-2M-1533

**Code:**  
0309-4-0312



**Weight:**  
1,9 kg

**Performance Data:**

1~230V 50Hz

$P_1 = 35W$

$n = 2350 \text{ min}^{-1}$

$I = 0,15A$

$C = 1\mu F / 450V$

Connection: cable

Ins.Cl. F

IP44

**Notes:**

On request, this fan is available also with Hall sensor.



R09X-2M-2514

**Diameter:** 180 mm**Performance Data:**

1~230V 50Hz

 $P_1 = 80W$  $n = 2450 \text{ min}^{-1}$  $I = 0,36A$  $C = 2,5\mu F / 450V$ 

Connection: cable

Ins.Cl. F

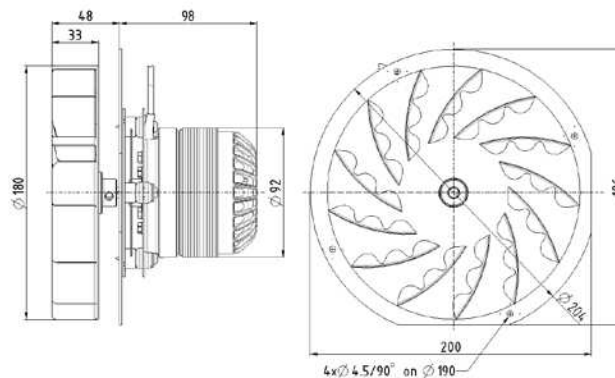
IP44

**Type:**

R09X-2M-2514

**Code:**

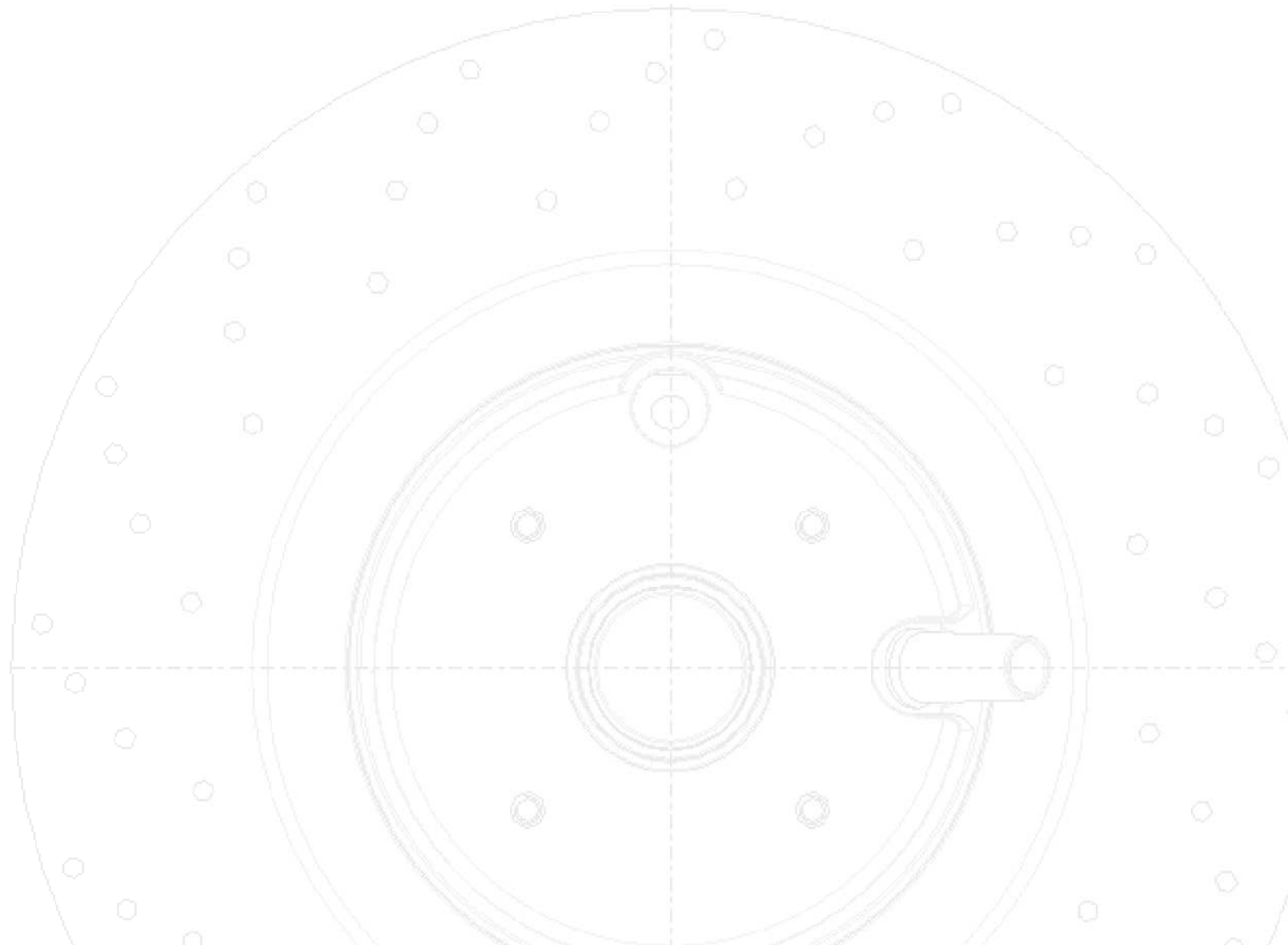
0309-4-0304

**Weight:**

2 kg

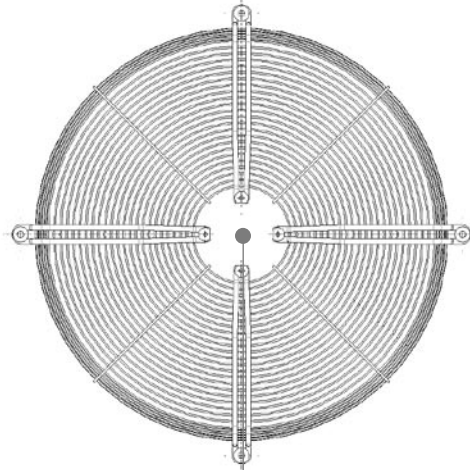
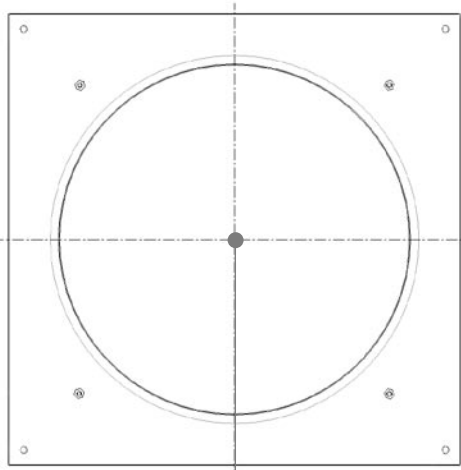
**Notes:**

On request, this fan is available also with Hall sensor.



# Centrifugal Fans





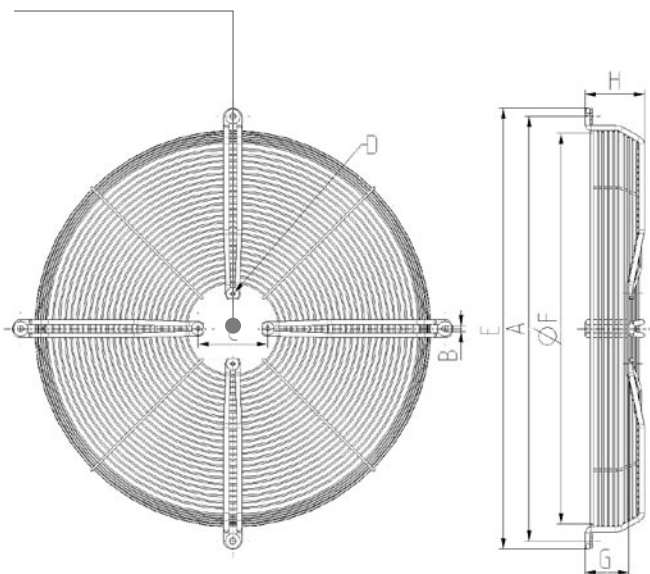
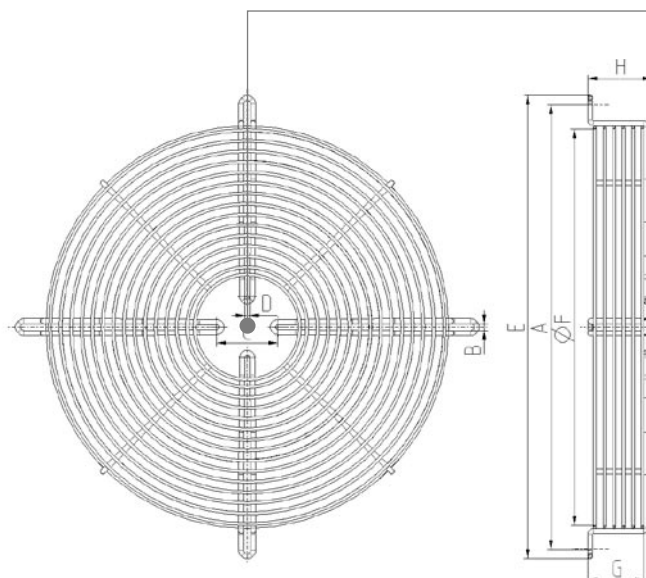
# Accessories

**Main dimensions - Basket grills Type 1**

| Fan dia | Motor type | A   | B      | C   | D      | E   | ø F | G    | H    | Code        |
|---------|------------|-----|--------|-----|--------|-----|-----|------|------|-------------|
| 630     | R13        | 750 | ø 10,5 | 115 | ø 10,5 | 784 | 690 | 70   | 96   | 0300-1-3006 |
| 560     | R13        | 700 | ø 10,5 | 115 | ø 7    | 727 | 644 | 71,5 | 97,5 | 0300-1-3003 |
| 500     | R13        | 565 | ø 9,5  | 115 | ø 7    | 589 | 522 | 70   | 96   | 0300-1-3004 |
| 450     | R13        | 515 | ø 9,5  | 115 | ø 7    | 543 | 479 | 70   | 96   | 0300-1-3001 |
|         |            |     |        |     |        |     |     |      |      |             |
|         |            |     |        |     |        |     |     |      |      |             |

**Main dimensions - Basket grills Type 2**

| Fan dia | Motor type | A   | B     | C  | D     | E   | ø F | G  | H  | Code        |
|---------|------------|-----|-------|----|-------|-----|-----|----|----|-------------|
| 450     | R11        | 520 | 10    | 90 | 10    | 540 | 480 | 55 | 73 | 0300-1-3000 |
| 400     | R11        | 455 | ø 9,5 | 90 | ø 6,5 | 476 | 422 | 76 | 84 | 0300-1-3026 |
| 350     | R11        | 442 | 6,5   | 90 | 6,5   | 485 | 376 | 53 | 61 | 0300-1-3027 |
| 350     | R09        | 422 | 6,5   | 58 | 6,5   | 440 | 376 | 53 | 61 | 0300-1-3008 |
| 315     | R09        | 375 | 6,5   | 58 | 6,5   | 393 | 336 | 57 | 65 | 0300-1-3022 |
| 300     | R09        | 360 | 6,5   | 58 | 6,5   | 376 | 316 | 35 | 43 | 0300-1-3009 |
| 250     | R09        | 300 | 6,5   | 58 | 6,5   | 314 | 269 | 37 | 45 | 0300-1-3104 |
| 200     | R09        | 260 | 6,5   | 58 | 6,5   | 274 | 230 | 37 | 45 | 0300-1-3103 |
|         |            |     |       |    |       |     |     |    |    |             |
|         |            |     |       |    |       |     |     |    |    |             |

**Basket grills Type 1****Basket grills Type 2**

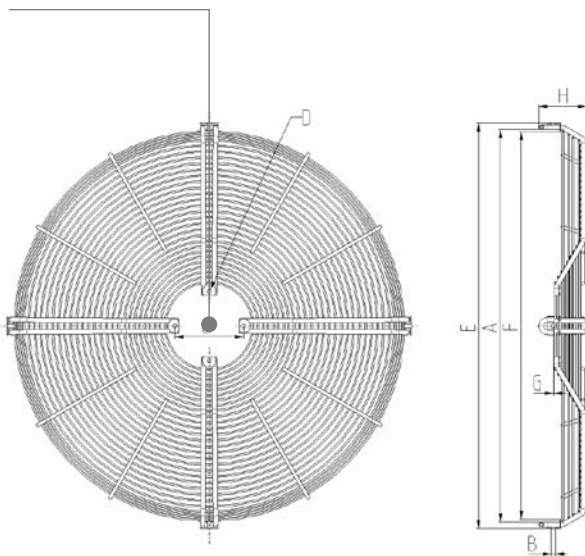
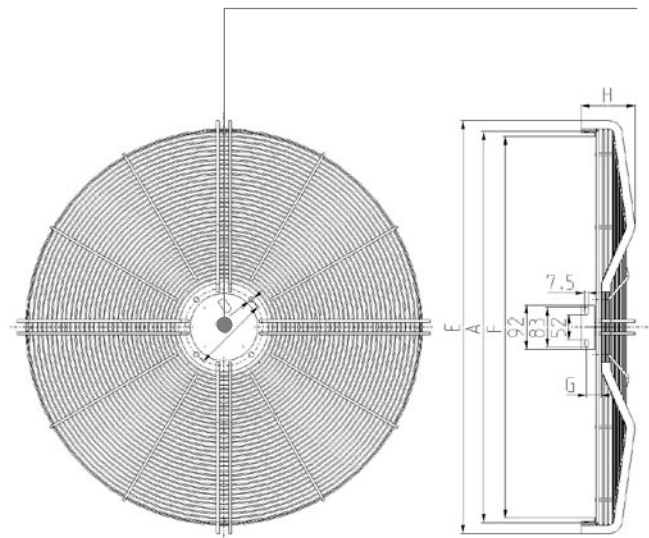
**Notes:** Surface finish: Black painted RAL9005

**Main dimensions - Basket grills Type 3**

| Fan dia | Motor type | A   | B   | C   | D   | E   | F   | G  | H  | Code        |
|---------|------------|-----|-----|-----|-----|-----|-----|----|----|-------------|
| 630     | R13        | 654 | ∅ 7 | 115 | ∅ 7 | 676 | 646 | 1  | 79 | 0300-1-3087 |
| 560     | R13        | 579 | ∅ 7 | 115 | ∅ 7 | 601 | 571 | 17 | 94 | 0300-1-3089 |
|         |            |     |     |     |     |     |     |    |    |             |
|         |            |     |     |     |     |     |     |    |    |             |

**Main dimensions - Basket grills Type 4**

| Fan dia | Motor type | A   | B          | C   | D    | E   | F   | G  | H   | Code        |
|---------|------------|-----|------------|-----|------|-----|-----|----|-----|-------------|
| 800     | R18        | 816 | 7,5 x 15,5 | 182 | ∅ 11 | 816 | 795 | 30 | 112 | 0300-1-3072 |
| 710     | R18        | 731 | 7,5 x 14,5 | 182 | ∅ 11 | 777 | 715 | 32 | 112 | 0300-1-3077 |
|         |            |     |            |     |      |     |     |    |     |             |
|         |            |     |            |     |      |     |     |    |     |             |

**Basket grills Type 3****Basket grills Type 4**

**Notes:** Surface finish: Black painted RAL9005

\* Zincd

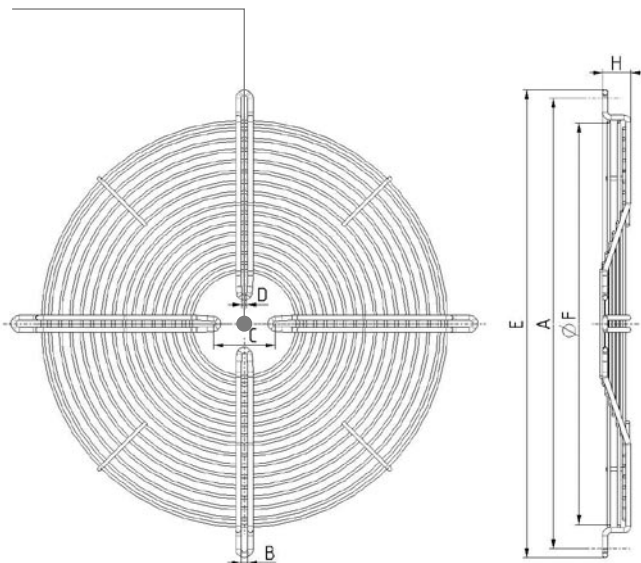
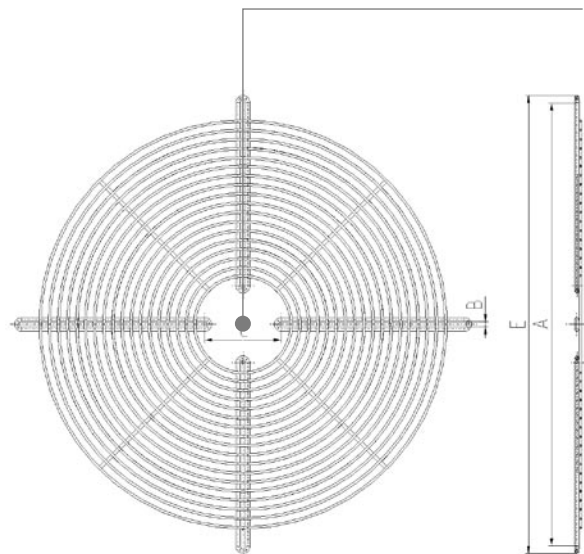


**Main dimensions - Basket grills Type 5**

| Fan dia | Motor type | A   | B   | C  | D   | E   |  |  |  | Code        |
|---------|------------|-----|-----|----|-----|-----|--|--|--|-------------|
| 350     | R09        | 625 | 9,5 | 90 | 9,5 | 644 |  |  |  | 0300-1-3192 |
| 330     | R09        | 565 | 9,5 | 90 | 6,5 | 586 |  |  |  | 0300-1-3193 |
| 315     | R09        | 520 | 6,5 | 90 | 6,5 | 538 |  |  |  | 0300-1-3194 |
| 300     | R09        | 467 | 6,5 | 90 | 6,5 | 490 |  |  |  | 0300-1-3195 |
|         |            |     |     |    |     |     |  |  |  |             |
|         |            |     |     |    |     |     |  |  |  |             |

**Main dimensions - Flat grills**

| Fan dia | Motor type | A   | B   | C  | D   | E   |  |  |  | Code        |
|---------|------------|-----|-----|----|-----|-----|--|--|--|-------------|
| 560     | R11        | 625 | 9,5 | 90 | 9,5 | 644 |  |  |  | 0300-1-3032 |
| 500     | R11        | 565 | 9,5 | 90 | 6,5 | 586 |  |  |  | 0300-1-3031 |
| 450     | R11        | 520 | 6,5 | 90 | 6,5 | 538 |  |  |  | 0300-1-3030 |
| 400     | R11        | 467 | 6,5 | 90 | 6,5 | 490 |  |  |  | 0300-1-3128 |
| 250 *   | R09        | 300 | 5,5 | 58 | 5,5 | 264 |  |  |  | 0300-1-3095 |
| 200 *   | R09        | 250 | 5,5 | 58 | 5,5 | 314 |  |  |  | 0300-1-3094 |
|         |            |     |     |    |     |     |  |  |  |             |
|         |            |     |     |    |     |     |  |  |  |             |

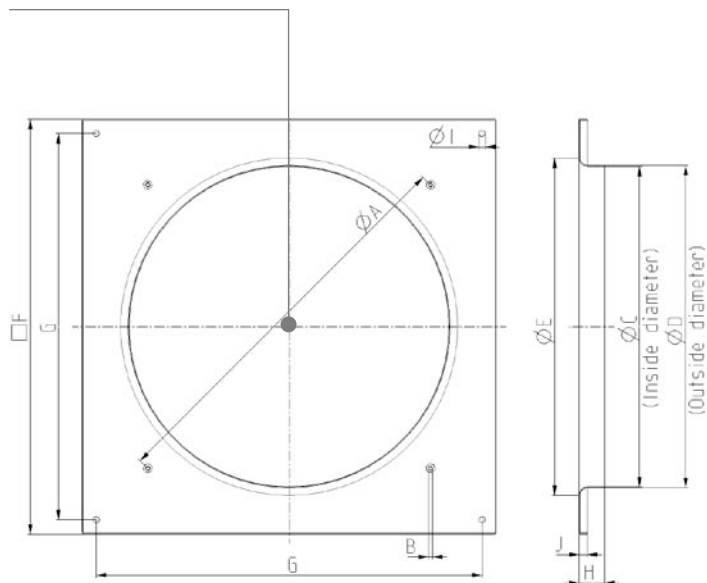
**Basket grills Type 5****Flat grills**

**Notes:** Surface finish: Black painted RAL9005

## Main dimensions - Square short wall plates

| Fan dia | Airflow direction | A   | B  | ø C | ø D | ø E | q F | G   | H  | ø I | J  | Code        |
|---------|-------------------|-----|----|-----|-----|-----|-----|-----|----|-----|----|-------------|
| 630     | sucking           | 750 | M8 | 635 | 638 | 675 | 805 | 750 | 60 | 11  | 15 | 0300-6-7106 |
| 630     | blowing           | 750 | M8 | 635 | 638 | 675 | 805 | 750 | 60 | 11  | 15 | 0300-6-7071 |
| 560     | sucking           | 700 | M8 | 560 | 563 | 590 | 725 | 675 | 45 | 11  | 15 | 0300-6-7108 |
| 560     | blowing           | 700 | M8 | 560 | 563 | 590 | 725 | 675 | 45 | 11  | 15 | 0300-6-7083 |
| 500     | sucking           | 565 | M8 | 504 | 507 | 534 | 655 | 615 | 45 | 11  | 15 | 0300-6-7110 |
| 500     | blowing           | 565 | M8 | 504 | 507 | 534 | 655 | 615 | 45 | 11  | 15 | 0300-6-7081 |
| 450     | sucking           | 515 | M8 | 452 | 455 | 482 | 575 | 535 | 45 | 11  | 15 | 0300-6-7112 |
| 450     | blowing           | 515 | M8 | 452 | 455 | 482 | 575 | 535 | 45 | 11  | 15 | 0300-6-7069 |
| 400     | sucking           | 455 | M8 | 403 | 406 | 433 | 540 | 490 | 45 | 11  | 15 | 0300-6-7114 |
| 400     | blowing           | 455 | M8 | 403 | 406 | 433 | 540 | 490 | 45 | 11  | 15 | 0300-6-7079 |
| 350     | sucking           | 422 | M6 | 360 | 363 | 390 | 485 | 435 | 45 | 11  | 15 | 0300-6-7116 |
| 350     | blowing           | 422 | M6 | 360 | 363 | 390 | 485 | 435 | 45 | 11  | 15 | 0300-6-7077 |
| 330     | sucking           | 400 | M6 | 337 | 340 | 367 | 485 | 435 | 45 | 11  | 15 | 0300-6-7118 |
| 330     | blowing           | 400 | M6 | 337 | 340 | 367 | 485 | 435 | 45 | 11  | 15 | 0300-6-7104 |
| 315     | sucking           | 375 | M6 | 319 | 322 | 349 | 430 | 380 | 45 | 11  | 15 | 0300-6-7120 |
| 315     | blowing           | 375 | M6 | 319 | 322 | 349 | 430 | 380 | 45 | 11  | 15 | 0300-6-7075 |
| 300     | sucking           | 360 | M6 | 307 | 310 | 337 | 430 | 380 | 45 | 11  | 15 | 0300-6-7122 |
| 300     | blowing           | 360 | M6 | 307 | 310 | 337 | 430 | 380 | 45 | 11  | 15 | 0300-4-7073 |

## Square short wall plates

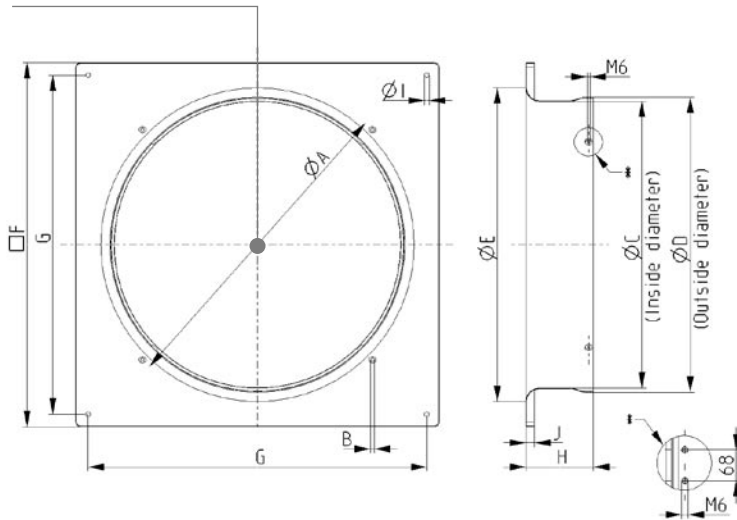


**Notes:** Surface finish: Black painted RAL9005

**Main dimensions - Square long wall plates**

| Fan dia | Airflow direction | A   | B  | ø C | ø D | ø E | q F | G   | H   | ø I  | J  | Code        |
|---------|-------------------|-----|----|-----|-----|-----|-----|-----|-----|------|----|-------------|
| 800 *   | sucking           | /   | /  | 797 | 815 | 915 | 970 | 910 | 210 | 14,5 | 17 | 0300-6-7068 |
| 710 *   | sucking           | /   | /  | 711 | 729 | 790 | 850 | 810 | 167 | 14,5 | 20 | 0300-6-7085 |
| 630     | sucking           | 720 | M8 | 634 | 653 | 695 | 805 | 750 | 150 | 11   | 20 | 0300-6-7091 |
| 560     | sucking           | 658 | M8 | 560 | 577 | 630 | 725 | 675 | 135 | 11   | 16 | 0300-6-7095 |
| 500     | sucking           | 615 | M8 | 504 | 518 | 580 | 656 | 615 | 118 | 11   | 16 | 0300-6-7089 |
| 450     | sucking           | 560 | M8 | 451 | 465 | 530 | 576 | 535 | 110 | 11   | 14 | 0300-6-7161 |

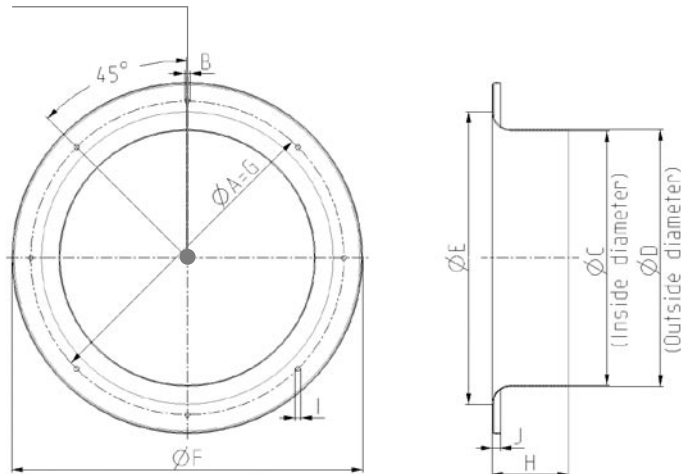
**Square long wall plates**



**Main dimensions - Round long wall plates type 1**

| Fan dia | Airflow direction | A   | ø B | ø C | ø D | ø E | ø F | G   | H  | ø I | J   | Code        |
|---------|-------------------|-----|-----|-----|-----|-----|-----|-----|----|-----|-----|-------------|
| 200     | blowing           | 250 | 4,3 | 203 | 206 | 233 | 280 | 250 | 61 | 6,4 | 6,5 | 0300-6-7102 |
| 250     | blowing           | 300 | 4,3 | 253 | 256 | 287 | 330 | 300 | 65 | 6,4 | 7,5 | 0300-6-7103 |
|         |                   |     |     |     |     |     |     |     |    |     |     |             |
|         |                   |     |     |     |     |     |     |     |    |     |     |             |

**Round long wall plate Type 1**

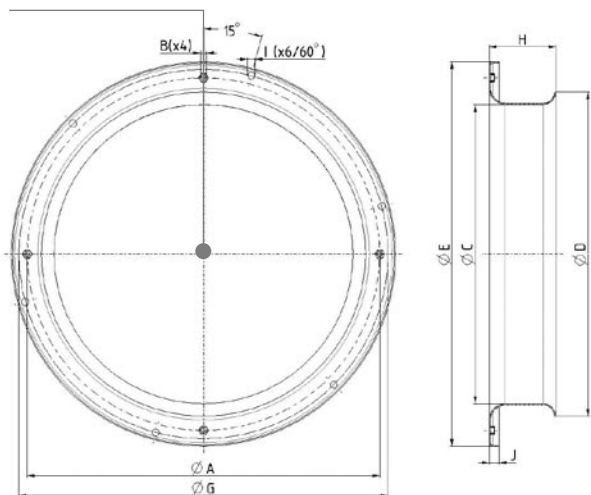


**Notes:** Surface finish: Black painted RAL9005

## Main dimensions - Round long wall plates type 2

| Fan dia | Airflow direction | A   | B  | ø C | ø D | ø E | q F | G   | H  | ø I | J  | Code        |
|---------|-------------------|-----|----|-----|-----|-----|-----|-----|----|-----|----|-------------|
| 350     | sucking           | 422 | M6 | 358 | 388 | 460 | /   | 442 | 80 | 9   | 12 | 0300-6-7150 |
| 330     | sucking           | 408 | M6 | 336 | 369 | 440 | /   | 404 | 80 | 9   | 9  | 0300-6-7148 |
| 315     | sucking           | 376 | M6 | 317 | 347 | 397 | /   | 381 | 74 | 9   | 11 | 0300-6-7146 |
| 300     | sucking           | 361 | M6 | 306 | 326 | 397 | /   | 380 | 80 | 9   | 11 | 0300-4-7144 |
|         |                   |     |    |     |     |     |     |     |    |     |    |             |
|         |                   |     |    |     |     |     |     |     |    |     |    |             |

## Round long wall plate Type 2













## Sales and distribution:

### AUSTRALIA and NEW ZEALAND

HIDRIA AUSTRALIA Pty  
84 Nortgate Drive,  
Thomastown, Vic 3074  
Australia  
Tel: +61 3 94642066  
Fax: +61 3 94642077  
e-mail: sales@hidria.com.au

### GERMANY

Sales office:  
Helmut Muehlenhoff  
Taubenstr. 18  
85591 Vaterstetten  
Tel: +49(0)81069958944  
Fax: +49(0)89069958945  
e-mail:  
helmut.muehlenhoff@t-online.de

### GREECE

Sivar  
Lasithiou Str. 6  
121-32 Peristeri  
Athens, Greece  
Tel: +30 2105785003  
Web: www.sivar.gr  
e-mail: info@sivar.gr

### ITALY

SI.VEN Components s.r.l.  
Via P. Gorini 44  
26900 LODI  
Italy  
Tel: 0039 0371428249  
Fax: 0039 0371428305  
e-mail: si.ven@tiscali.it

### MALTA

BLYE Engineering Co. Ltd.  
Naxxar Road,  
San Gwann SNG 07  
Malta  
Tel: 00356 21 373282/3  
Fax: 00356 21 371642  
e-mail: blye@blyeeng.com

### NORWAY

HILLCO AGENTURER AS  
Stromsveien 346,  
P.O. Box 11 Leirdal  
1008 OSLO  
Norway  
Tel: +47 23175280  
Fax: +47 23175281  
e-mail: halto@online.no

### SLOVENIJA

EMPOR  
Leskoškova 9a  
1000 Ljubljana  
Tel: +386 1 5203820  
Fax: +386 1 5203838  
Web: www.empor.si  
e-mail: empor@empor.si

### SWEDEN and DENMARK

NORDICOLD AB  
Datavägen 16,  
43632 ASKIM  
Sweden  
Tel: +46 31680440  
Fax: +46 31285291  
Web: www.nordicold.se  
e-mail: info@nordicold.se

### TURKEY

FRIGOTERM Sog.Cih.San. ve Tic. A.S.  
Tarlabasi Caddesi No. 110,  
80080 BEYOGLU - ISTANBUL  
Turkey  
Tel: +90(0)2122371929  
Fax: +90(0)2122550114  
e-mail: international@frigoterm.tr

### FINLAND and ESTONIA

REPAIR OY  
Atomitie 1 FIN-00370 HELSINKI  
Finland  
Tel: +358 9 5657780  
Fax: +358 9 5657780  
e-mail: info@repair.fi

### USA

Hidria USA Inc.  
202 Beechtree Business Park  
Greenville, SC 29605  
Tel: +1 864 331 0177  
Fax: +1 864 331 0178  
e-mail: sarah.davis@ht-usa.com

### FAR EAST

Hidria GmbH Shanghai Representative Office  
Add: Rm1408, Hitech Plaza,  
No.488 Wuning Rd(S),  
JingAn District,  
Shanghai 200042  
Tel: 0086-21-51182399  
Mobile: 13671513393  
Fax: 0086-21-51182398  
Web: www.hidria.com  
e-mail: xiaoyuan.zhao@hidria.com

### FRANCE

SERHMIS sarl,  
12 rue du 8 Mai 1945  
69650 Saint Germain au mont d'or  
France  
Tel: +33 (0)4 69 16 86 57  
Fax: +33 (0)4 72 42 38 90  
Mobile: +33 (0)6 01 96 77 53  
e-mail: serhmis@cegetel.net

### SERBIA

FRIGO RADAK COMPANY D.O.O.  
Đurđevdanska 20  
11000 Beograd  
Serbia  
Tel/Fax: +381 11 3945577  
Mobile: +381 63 318539



# Hidria

Produced by:

### Hidria Rotomatika d.o.o.

Spodnja Kanomlja 23  
5281 Spodnja Idrija,  
Slovenia  
Phone: +386 5 3756 000  
Fax: +386 5 3756 471  
e-mail: sales.fans@hidria.com  
Web: www.hidria.com